

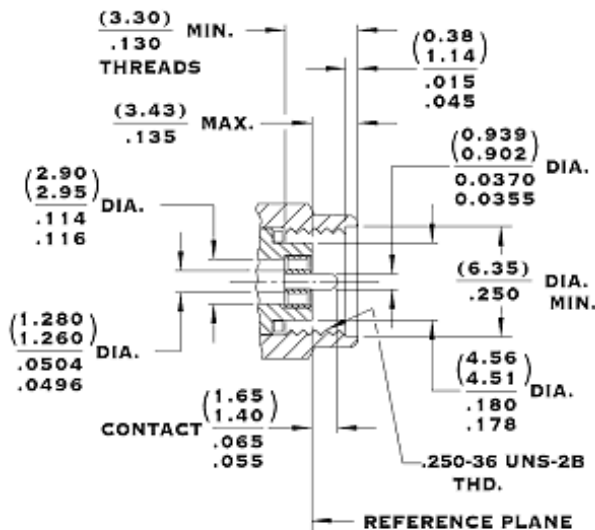


2.9mm Interface

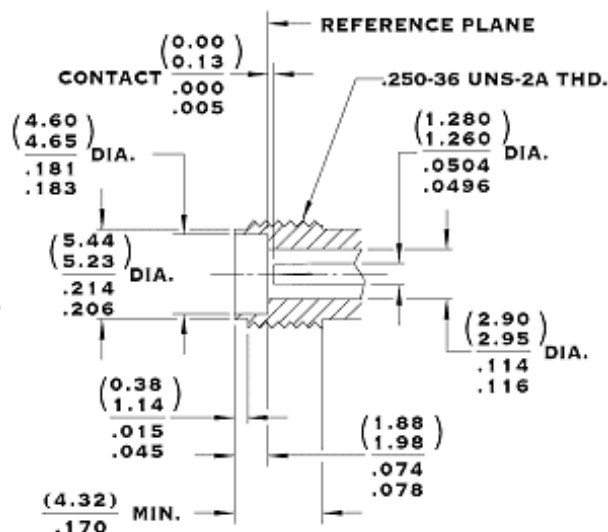
[Catalog Home](#) -> [Microwave Connectors](#) -> 2.9mm Interface

2.9mm Interface

Interface drawings not shown full scale.



ASTROLAB 2.9MM
PLUG INTERFACE
(MEETS MIL-STD-348)



ASTROLAB 2.9MM
JACK INTERFACE
(MEETS MIL-STD-348)

Please continue your selection below:

- [Flexible Cable Connectors](#)
- [Semi-Rigid Cable Connectors](#)
- [Panel Mount Connectors](#)

Browse By Category

[Catalog Home](#)
[Microwave Cable Assemblies](#)
[Microwave Cable](#)
[Microwave Connectors](#)
[Contacts](#)

[Adaptors Between Series](#)
[Surge Protection Adaptors](#)
[Phase Shifters](#)
[Other Passive Components](#)

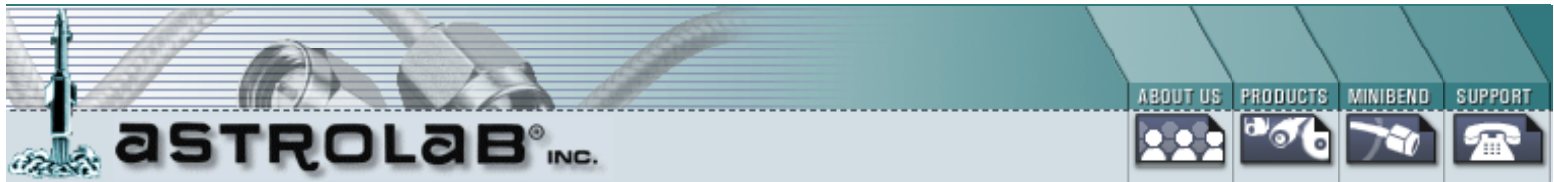
Tel: (732) 560-3800

Fax: (732) 560-9570

support@astrolab.com

Search:

in



Flexible Cable Connectors

[Catalog Home](#) -> [Microwave Connectors](#) -> [2.9mm Interface](#) -> Flexible Cable Connectors

Please continue your selection below:

- [2.9mm jack - 29092K](#)
- [2.9mm plug - 29094K](#)

Browse By Category

[Catalog Home](#)

[Microwave Cable Assemblies](#)

[Microwave Cable](#)

[Microwave Connectors](#)

[Contacts](#)

[Adaptors Between Series](#)

[Surge Protection Adaptors](#)

[Phase Shifters](#)

[Other Passive Components](#)

Tel: (732) 560-3800

Fax: (732) 560-9570

support@astrolab.com

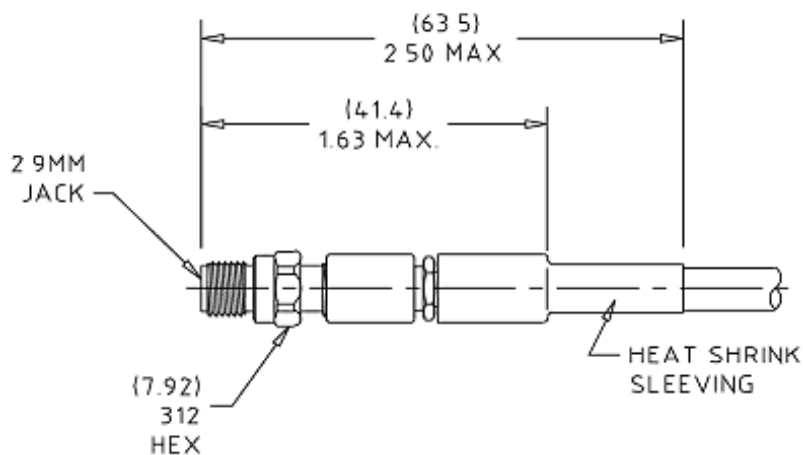
Search: _____ in _____



2.9mm jack - 29092K

[Catalog Home](#) -> [Microwave Connectors](#) -> [2.9mm Interface](#) -> [Flexible Cable Connectors](#) -> 2.9mm jack - 29092K

2.9mm jack 29092K



- frequency 40 GHz max.
(Max. frequency can be limited by cable.)
- crimp ferrule

CABLE	PART NO.
ASTROLAB 32004	29092K-32-4
ASTROLAB 32022	29092K-32-22
ASTROLAB 32024	29092K-32-24
ASTROLAB 32025	29092K-32-25
ASTROLAB 32027	29092K-32-27
ASTROLAB 32029	29092K-32-29
ASTROLAB 32081	29092K-32-81
ASTROLAB 32084	29092K-32-84
ASTROLAB 32086	29092K-32-86

Select Part No.:

[Click here](#) to view your cart.

Browse By Category

[Catalog Home](#)
[Microwave Cable Assemblies](#)
[Microwave Cable](#)
[Microwave Connectors](#)
[Contacts](#)

[Adaptors Between Series](#)
[Surge Protection Adaptors](#)
[Phase Shifters](#)
[Other Passive Components](#)

Tel: (732) 560-3800

Fax: (732) 560-9570

support@astrolab.com

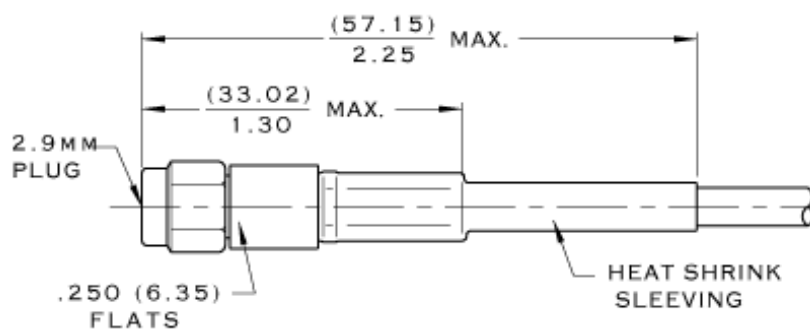
Search: in



2.9mm plug - 29094K

[Catalog Home](#) -> [Microwave Connectors](#) -> [2.9mm Interface](#) -> [Flexible Cable Connectors](#) -> 2.9mm plug - 29094K

2.9mm plug 29094K



- frequency 40 GHz max.
(Max. frequency can be limited by cable.)
- crimp ferrule

CABLE	PART NO.
ASTROLAB 32004	29094K-32-4
ASTROLAB 32022	29094K-32-22
ASTROLAB 32024	29094K-32-24
ASTROLAB 32025	29094K-32-25
ASTROLAB 32027	29094K-32-27
ASTROLAB 32029	29094K-32-29
ASTROLAB 32081	29094K-32-81
ASTROLAB 32084	29094K-32-84
ASTROLAB 32086	29094K-32-86

Select Part No.:

[Click here](#) to view your cart.

Browse By Category

[Catalog Home](#)

[Microwave Cable Assemblies](#)

[Microwave Cable](#)

[Microwave Connectors](#)

[Contacts](#)

[Adaptors Between Series](#)

[Surge Protection Adaptors](#)

[Phase Shifters](#)

[Other Passive Components](#)

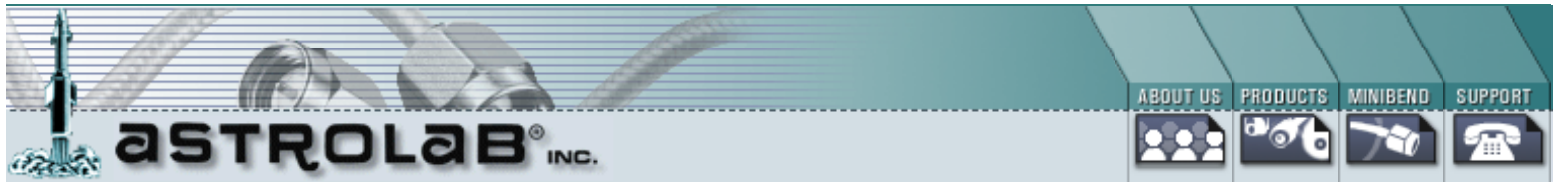
Tel: (732) 560-3800

Fax: (732) 560-9570

support@astrolab.com

Search:

in



Semi-Rigid Cable Connectors

[Catalog Home](#) -> [Microwave Connectors](#) -> [2.9mm Interface](#) -> Semi-Rigid Cable Connectors

Please continue your selection below:

- [2.9mm plug - 29044K](#)
- [2.9mm jack - 29045K-1](#)

Browse By Category

[Catalog Home](#)

[Microwave Cable Assemblies](#)

[Microwave Cable](#)

[Microwave Connectors](#)

[Contacts](#)

[Adaptors Between Series](#)

[Surge Protection Adaptors](#)

[Phase Shifters](#)

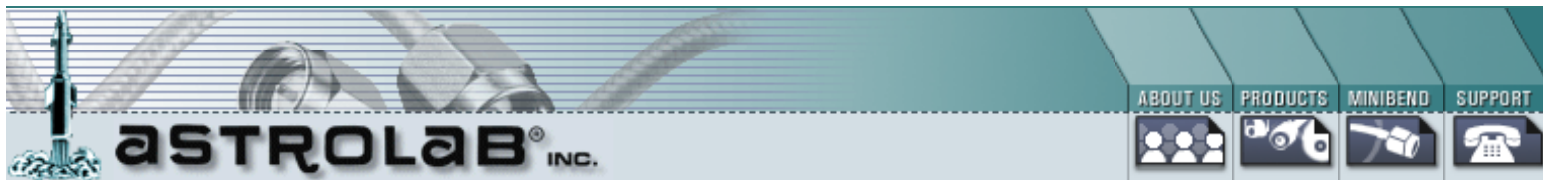
[Other Passive Components](#)

Tel: (732) 560-3800

Fax: (732) 560-9570

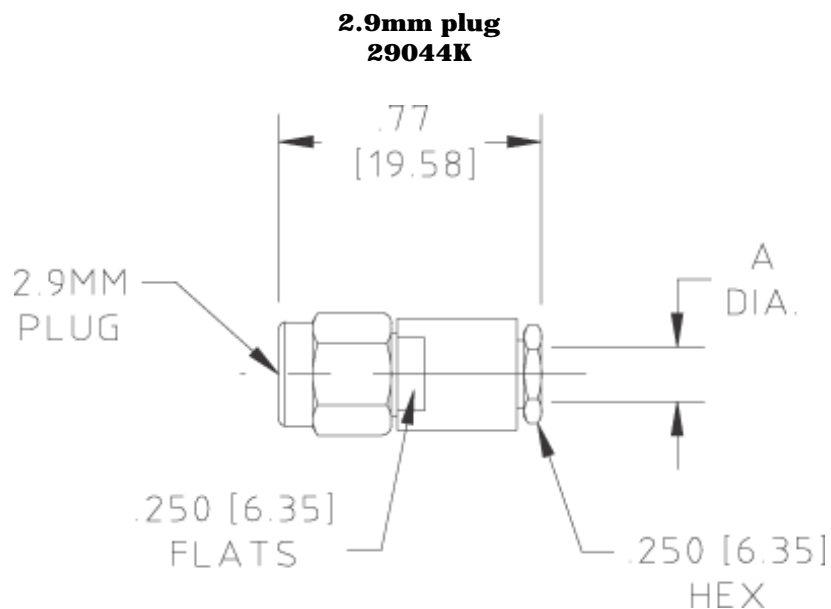
support@astrolab.com

Search: in



2.9mm plug - 29044K

[Catalog Home](#) -> [Microwave Connectors](#) -> [2.9mm Interface](#) -> [Semi-Rigid Cable Connectors](#) -> 2.9mm plug - 29044K



- frequency 40 GHz max.
(max. frequency can be limited by cable.)

CABLE	PART NO.	CABLE DIA.		A DIA.	
		IN.	MM	IN.	MM
ASTROLAB 31000; RG-402	29044K-3	.141	3.58	.144	3.66
ASTROLAB 31086; RG-405	29044K-4	.086	2.18	.089	2.26

Select Part No.:

[Click here](#) to view your cart.

Browse By Category

[Catalog Home](#)
[Microwave Cable Assemblies](#)
[Microwave Cable](#)
[Microwave Connectors](#)
[Contacts](#)

[Adaptors Between Series](#)
[Surge Protection Adaptors](#)
[Phase Shifters](#)
[Other Passive Components](#)

Tel: (732) 560-3800

Fax: (732) 560-9570

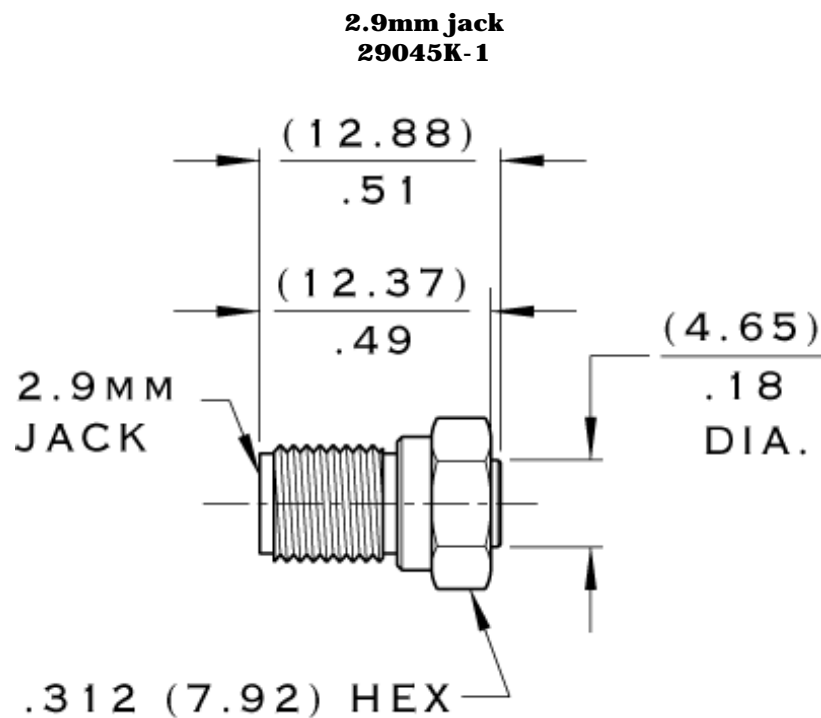
support@astrolab.com

Search: in



2.9mm jack - 29045K-1

[Catalog Home](#) -> [Microwave Connectors](#) -> [2.9mm Interface](#) -> [Semi-Rigid Cable Connectors](#) -> 2.9mm jack - 29045K-1



- frequency 40 GHz max.
(max. frequency can be limited by cable.)

CABLE	PART NO.	CABLE DIA.	
		IN.	MM
ASTROLAB 31086, RG-405	29045K-1	.086	2.18

Select Part No.:

[Click here](#) to view your cart.

Browse By Category

[Catalog Home](#)

[Microwave Cable Assemblies](#)

[Microwave Cable](#)

[Microwave Connectors](#)

[Contacts](#)

[Adaptors Between Series](#)

[Surge Protection Adaptors](#)

[Phase Shifters](#)

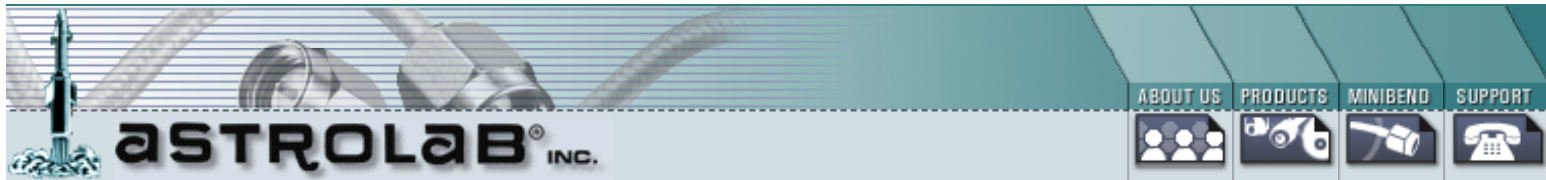
[Other Passive Components](#)

Tel: (732) 560-3800

Fax: (732) 560-9570

support@astrolab.com

Search: in



Panel Mount Connectors

[Catalog Home](#) -> [Microwave Connectors](#) -> [2.9mm Interface](#) -> Panel Mount Connectors

Please continue your selection below:

- [2.9mm jack, flanged - 29963](#)
- [2.9mm jack, flanged - 29963-3](#)
- [2.9mm jack, screw - 29964](#)
- [2.9mm jack, flanged - 29963-2](#)

Browse By Category

[Catalog Home](#)

[Microwave Cable Assemblies](#)

[Microwave Cable](#)

[Microwave Connectors](#)

[Contacts](#)

[Adaptors Between Series](#)

[Surge Protection Adaptors](#)

[Phase Shifters](#)

[Other Passive Components](#)

Tel: (732) 560-3800

Fax: (732) 560-9570

support@astrolab.com

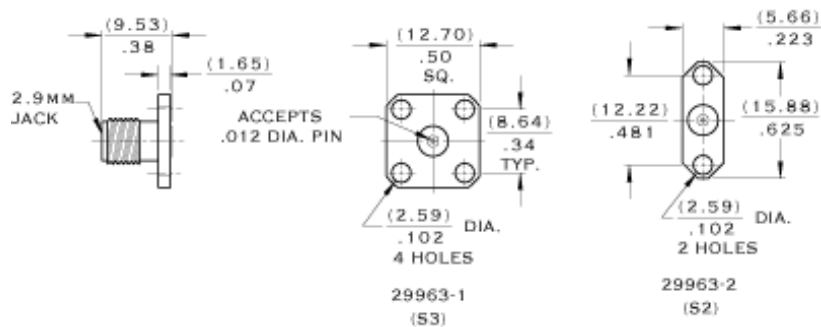
Search: _____ in _____



2.9mm jack, flanged - 29963

[Catalog Home](#) -> [Microwave Connectors](#) -> [2.9mm Interface](#) -> [Panel Mount Connectors](#) -> 2.9mm jack, flanged - 29963

2.9mm jack, flanged 29963



- frequency 40 GHz max.
- figure [S3 flange](#) detail or figure [S2 flange](#) detail

Add this item to my cart.

[Click here](#) to view your cart.

Browse By Category

[Catalog Home](#)
[Microwave Cable Assemblies](#)
[Microwave Cable](#)
[Microwave Connectors](#)
[Contacts](#)

[Adaptors Between Series](#)
[Surge Protection Adaptors](#)
[Phase Shifters](#)
[Other Passive Components](#)

Tel: (732) 560-3800

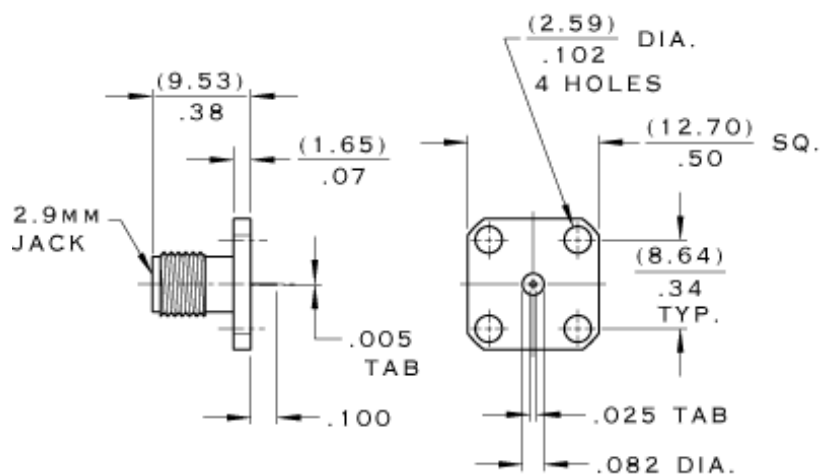
Fax: (732) 560-9570

support@astrolab.com

Search: _____ in _____


2.9mm jack, flanged - 29963-3

[Catalog Home](#) -> [Microwave Connectors](#) -> [2.9mm Interface](#) -> [Panel Mount Connectors](#) -> 2.9mm jack, flanged - 29963-3

**2.9mm jack, flanged
29963-3**


- frequency 40 GHz max.
(max. frequency can be limited by cable.)
- figure [S3 flange](#) detail

Add this item to my cart.

[Click here](#) to view your cart.

Browse By Category

[Catalog Home](#)
[Microwave Cable Assemblies](#)
[Microwave Cable](#)
[Microwave Connectors](#)
[Contacts](#)

[Adaptors Between Series](#)
[Surge Protection Adaptors](#)
[Phase Shifters](#)
[Other Passive Components](#)

Tel: (732) 560-3800

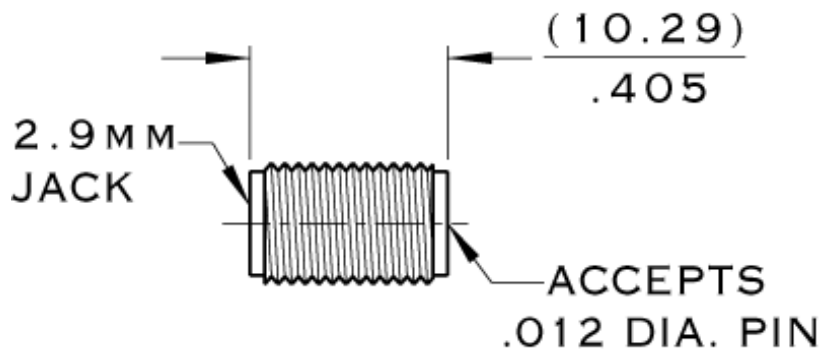
Fax: (732) 560-9570

support@astrolab.com

Search: in


2.9mm jack, screw - 29964

[Catalog Home](#) -> [Microwave Connectors](#) -> [2.9mm Interface](#) -> [Panel Mount Connectors](#) -> 2.9mm jack, screw - 29964

**2.9mm jack, screw
29964**


- frequency 40 GHz max.
(max. frequency can be limited by cable.)

Add this item to my cart.

[Click here](#) to view your cart.

Browse By Category

[Catalog Home](#)

[Microwave Cable Assemblies](#)

[Microwave Cable](#)

[Microwave Connectors](#)

[Contacts](#)

[Adaptors Between Series](#)

[Surge Protection Adaptors](#)

[Phase Shifters](#)

[Other Passive Components](#)

Tel: (732) 560-3800

Fax: (732) 560-9570

support@astrolab.com

Search:

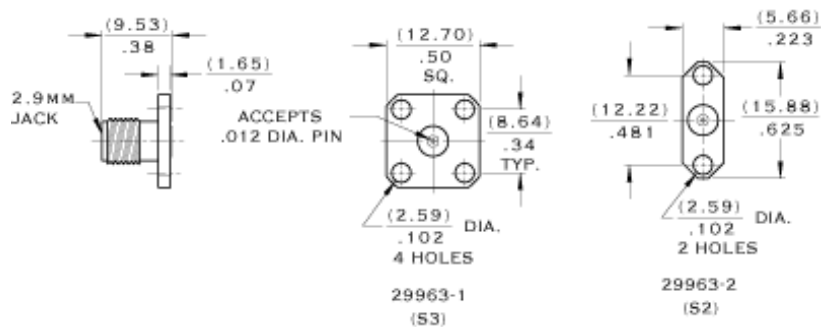
in



2.9mm jack, flanged - 29963-2

[Catalog Home](#) -> [Microwave Connectors](#) -> [2.9mm Interface](#) -> [Panel Mount Connectors](#) -> 2.9mm jack, flanged - 29963-2

2.9mm jack, flanged 29963-2



- frequency 40 GHz max.
- figure [S3 flange](#) detail or figure [S2 flange](#) detail

Add this item to my cart.

[Click here](#) to view your cart.

Browse By Category

[Catalog Home](#)
[Microwave Cable Assemblies](#)
[Microwave Cable](#)
[Microwave Connectors](#)
[Contacts](#)

[Adaptors Between Series](#)
[Surge Protection Adaptors](#)
[Phase Shifters](#)
[Other Passive Components](#)

Tel: (732) 560-3800

Fax: (732) 560-9570

support@astrolab.com

Search:

in