

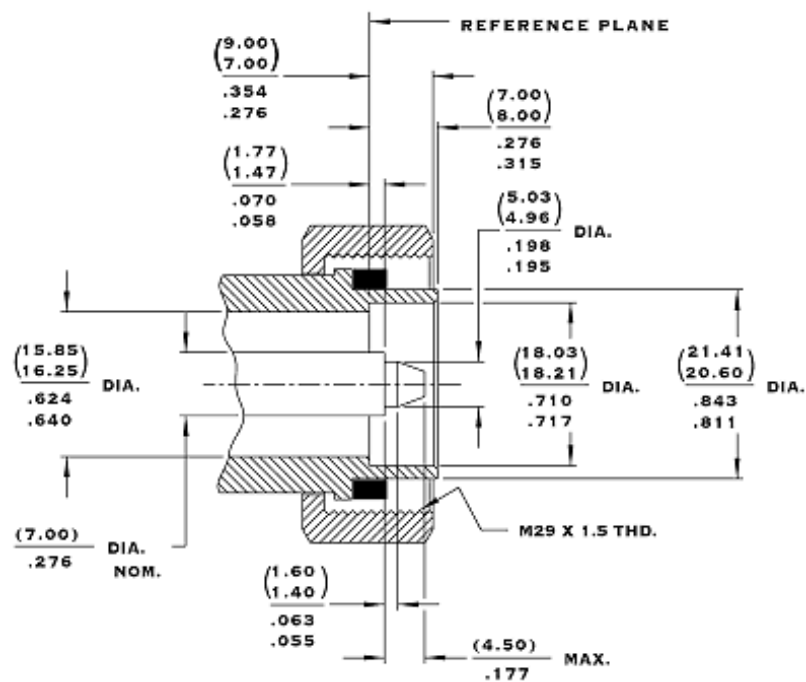


7-16 Interface

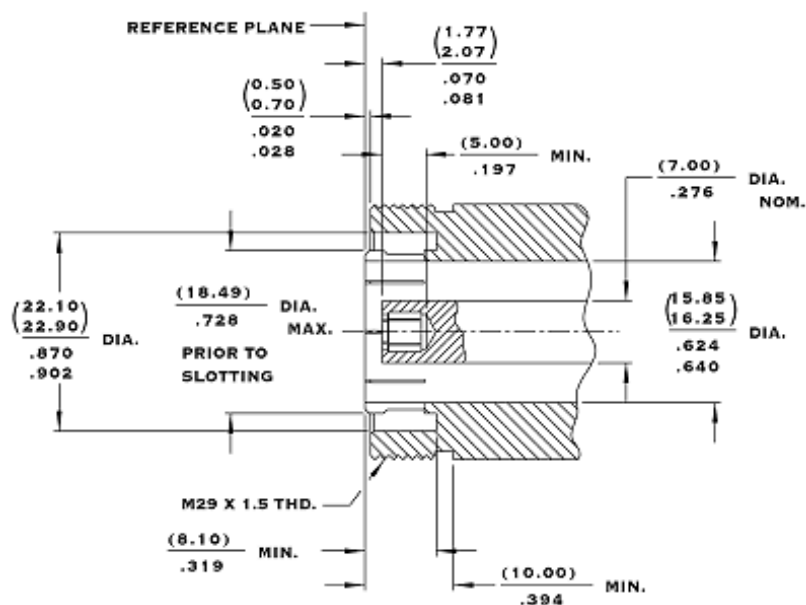
[Catalog Home](#) -> [Microwave Connectors](#) -> 7-16 Interface

7-16 Interface

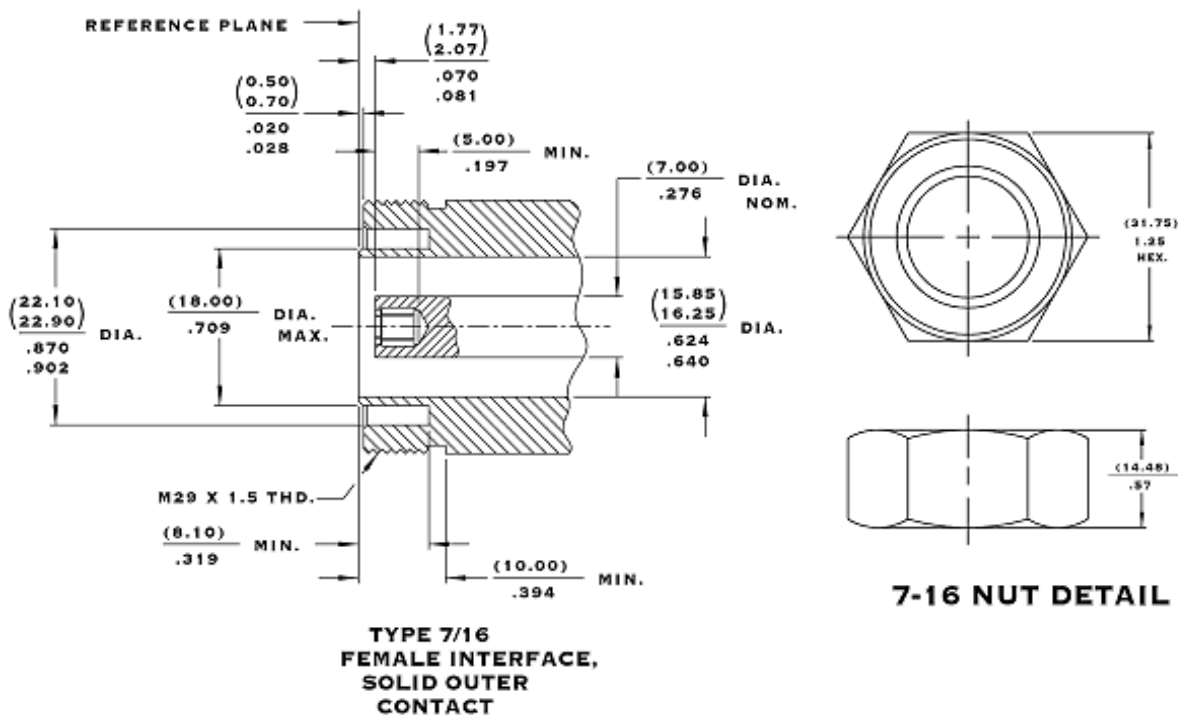
Interface drawings not shown full scale.



**TYPE 7-16
MALE INTERFACE**



**TYPE 7-16
FEMALE INTERFACE,
SLOTTED OUTER
CONTACT**



Please continue your selection below:

- [Flexible Cable Connectors](#)

Browse By Category

[Catalog Home](#)
[Microwave Cable Assemblies](#)
[Microwave Cable](#)
[Microwave Connectors](#)
[Contacts](#)

[Adaptors Between Series](#)
[Surge Protection Adaptors](#)
[Phase Shifters](#)
[Other Passive Components](#)

Tel: (732) 560-3800

Fax: (732) 560-9570

support@astrolab.com

Search: in



[ABOUT US](#)

[PRODUCTS](#)

[MINIBEND](#)

[SUPPORT](#)



Flexible Cable Connectors

[Catalog Home](#) -> [Microwave Connectors](#) -> [7-16 Interface](#) -> Flexible Cable Connectors

Please continue your selection below:

- [7-16 jack, flanged - 29961](#)
- [7-16 jack, flanged - 29961](#)
- [7-16 plug - 29960](#)
- [7-16 plug - 29960](#)
- [right angle 7-16 plug - 29962](#)

Browse By Category

[Catalog Home](#)

[Microwave Cable Assemblies](#)

[Microwave Cable](#)

[Microwave Connectors](#)

[Contacts](#)

[Adaptors Between Series](#)

[Surge Protection Adaptors](#)

[Phase Shifters](#)

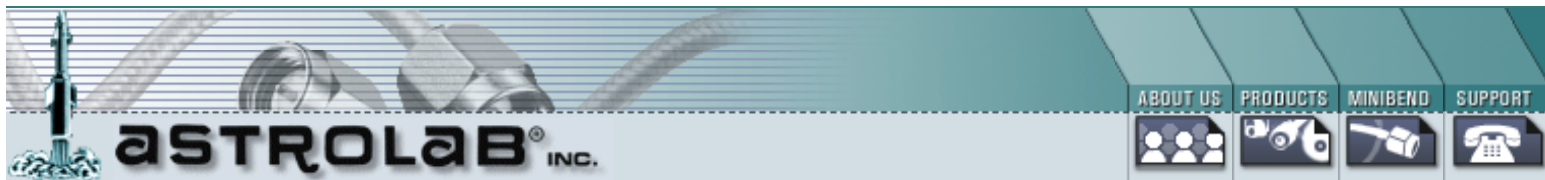
[Other Passive Components](#)

Tel: (732) 560-3800

Fax: (732) 560-9570

support@astrolab.com

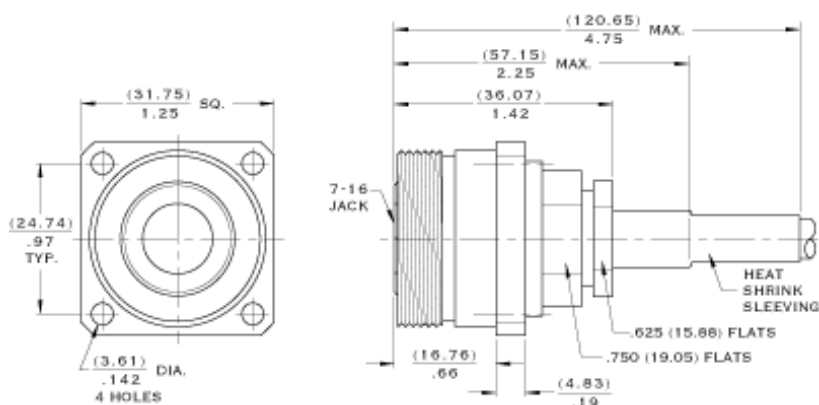
Search: _____ in _____



7-16 jack, flanged - 29961

[Catalog Home](#) -> [Microwave Connectors](#) -> [7-16 Interface](#) -> [Flexible Cable Connectors](#) -> 7-16 jack, flanged - 29961

7-16 jack, flanged 29961



- frequency 5 GHz max.
(Max. frequency can be limited by cable)
- [flanged](#)

CABLE	PART NO.
ASTROLAB 32019	29961-32-19
ASTROLAB 32036	29961-32-36
ASTROLAB 32039	29961-32-39
ASTROLAB 32048	29961-32-48
ASTROLAB 32050	29961-32-50
ASTROLAB 32051	29961-32-51
ASTROLAB 32055	29961-32-55
ASTROLAB 32094	29961-32-94

Select Part No.:

[Click here](#) to view your cart.

Browse By Category

[Catalog Home](#)
[Microwave Cable Assemblies](#)
[Microwave Cable](#)
[Microwave Connectors](#)
[Contacts](#)

[Adaptors Between Series](#)
[Surge Protection Adaptors](#)
[Phase Shifters](#)
[Other Passive Components](#)

Tel: (732) 560-3800

Fax: (732) 560-9570

support@astrolab.com

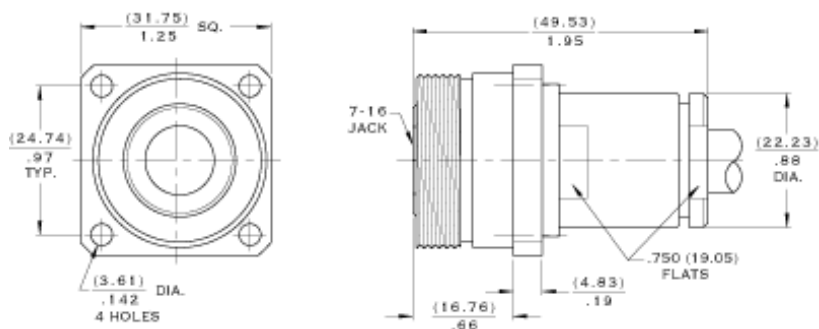
Search: in



7-16 jack, flanged - 29961

[Catalog Home](#) -> [Microwave Connectors](#) -> [7-16 Interface](#) -> [Flexible Cable Connectors](#) -> 7-16 jack, flanged - 29961

7-16 jack, flanged 29961



- frequency 5 GHz max.
(Max. frequency can be limited by cable)
- astro-uni-lok
- [flanged](#)

CABLE	PART NO.
ASTROLAB 32071	29961-32-71

Select Part No.:

[Click here](#) to view your cart.

Browse By Category

[Catalog Home](#)

[Microwave Cable Assemblies](#)

[Microwave Cable](#)

[Microwave Connectors](#)

[Contacts](#)

[Adaptors Between Series](#)

[Surge Protection Adaptors](#)

[Phase Shifters](#)

[Other Passive Components](#)

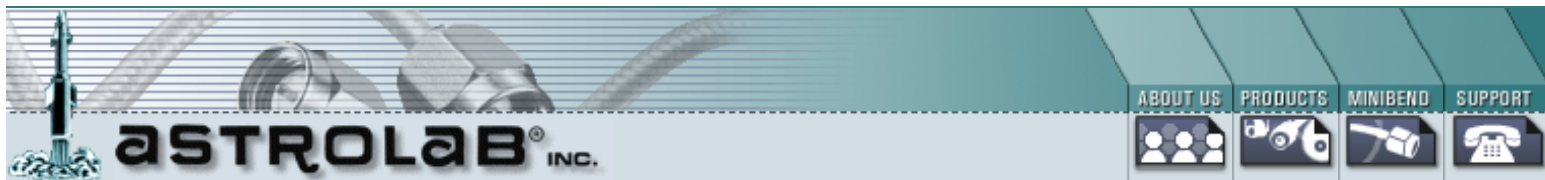
Tel: (732) 560-3800

Fax: (732) 560-9570

support@astrolab.com

Search:

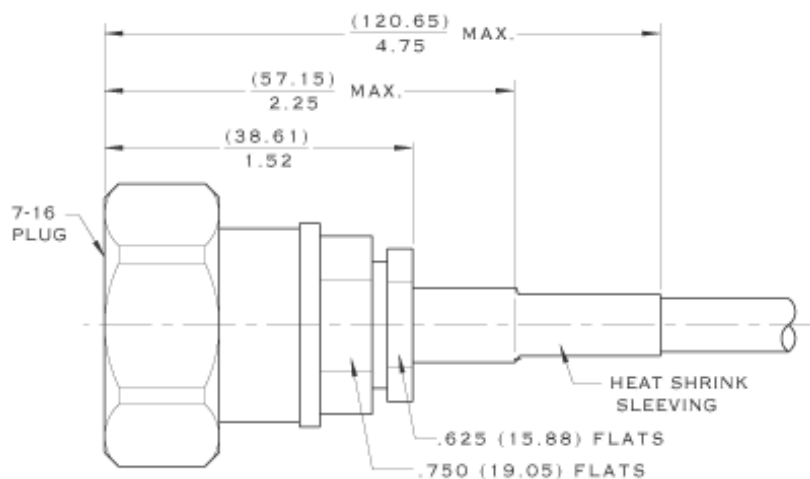
in



7-16 plug - 29960

[Catalog Home](#) -> [Microwave Connectors](#) -> [7-16 Interface](#) -> [Flexible Cable Connectors](#) -> 7-16 plug - 29960

7-16 plug 29960



- frequency 5 GHz max.
(Max. frequency can be limited by cable)

CABLE	PART NO.
ASTROLAB 32019	29960-32-19
ASTROLAB 32036	29960-32-36
ASTROLAB 32039	29960-32-39
ASTROLAB 32048	29960-32-48
ASTROLAB 32050	29960-32-50
ASTROLAB 32051	29960-32-51
ASTROLAB 32055	29960-32-55
ASTROLAB 32094	29960-32-94

Select Part No.:

[Click here](#) to view your cart.

Browse By Category

[Catalog Home](#)
[Microwave Cable Assemblies](#)
[Microwave Cable](#)
[Microwave Connectors](#)
[Contacts](#)

[Adaptors Between Series](#)
[Surge Protection Adaptors](#)
[Phase Shifters](#)
[Other Passive Components](#)

Tel: (732) 560-3800

Fax: (732) 560-9570

support@astrolab.com

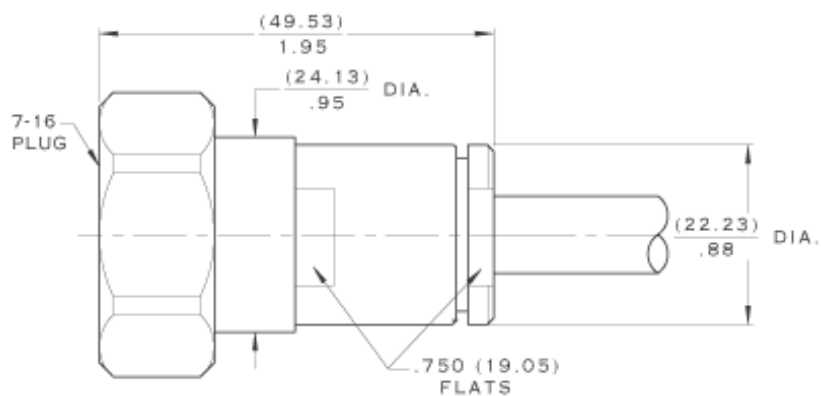
Search: in



7-16 plug - 29960

[Catalog Home](#) -> [Microwave Connectors](#) -> [7-16 Interface](#) -> [Flexible Cable Connectors](#) -> 7-16 plug - 29960

7-16 plug 29960



- frequency 5 GHz max.
(Max. frequency can be limited by cable)
- astro-uni-lok

CABLE	PART NO.
ASTROLAB 32071	29960-32-71

Select Part No.:

[Click here](#) to view your cart.

Browse By Category

[Catalog Home](#)

[Microwave Cable Assemblies](#)

[Microwave Cable](#)

[Microwave Connectors](#)

[Contacts](#)

[Adaptors Between Series](#)

[Surge Protection Adaptors](#)

[Phase Shifters](#)

[Other Passive Components](#)

Tel: (732) 560-3800

Fax: (732) 560-9570

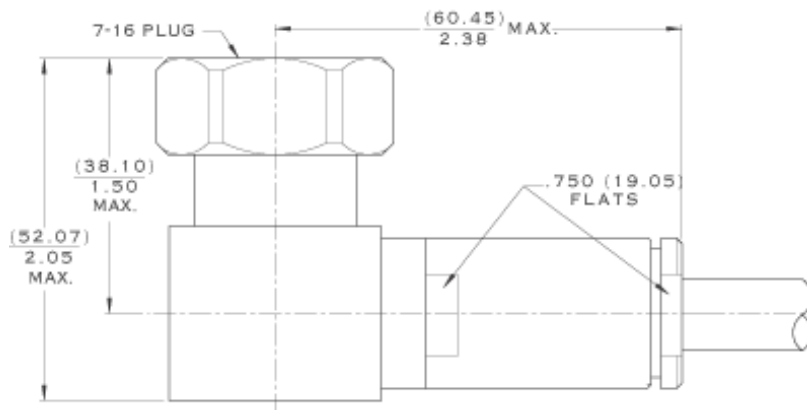
support@astrolab.com

Search:

in


right angle 7-16 plug - 29962

[Catalog Home](#) -> [Microwave Connectors](#) -> [7-16 Interface](#) -> [Flexible Cable Connectors](#) -> right angle 7-16 plug - 29962

**right angle 7-16 plug
29962**


- frequency 5 GHz max.
(Max. frequency can be limited by cable)
- astro-uni-lok

CABLE	PART NO.
ASTROLAB 32071	29962-32-71

Select Part No.:

[Click here](#) to view your cart.

Browse By Category

[Catalog Home](#)
[Microwave Cable Assemblies](#)
[Microwave Cable](#)
[Microwave Connectors](#)
[Contacts](#)

[Adaptors Between Series](#)
[Surge Protection Adaptors](#)
[Phase Shifters](#)
[Other Passive Components](#)

Tel: (732) 560-3800

Fax: (732) 560-9570

support@astrolab.com

Search: in