

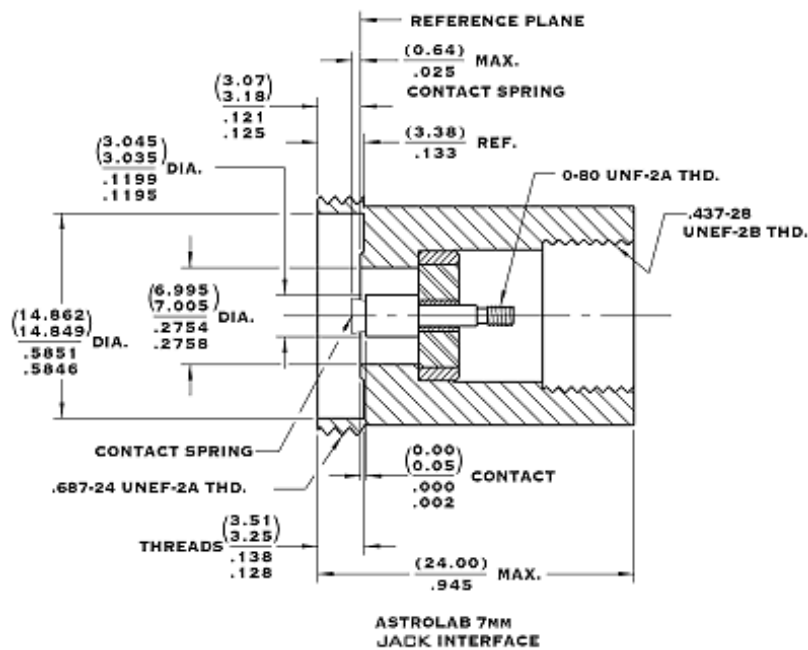
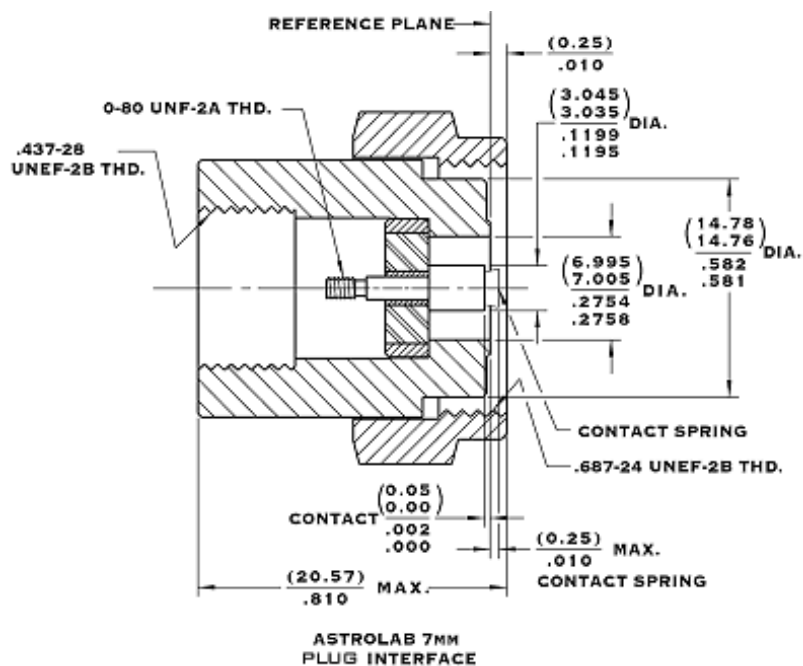


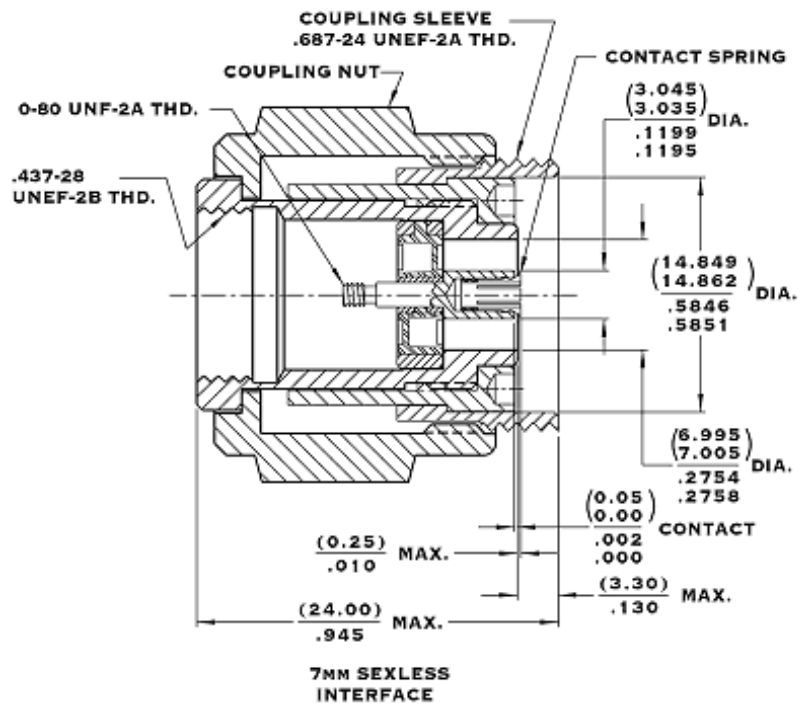
## 7mm Interface

[Catalog Home](#) -> [Microwave Connectors](#) -> 7mm Interface

### 7mm Interface

Interface drawings not shown full scale.





Please continue your selection below:

- [Flexible Cable Connectors](#)
- [Semi-Rigid Cable Connectors](#)
- [Panel Mount Connectors](#)

#### Browse By Category

[Catalog Home](#)

[Microwave Cable Assemblies](#)

[Microwave Cable](#)

[Microwave Connectors](#)

[Contacts](#)

[Adaptors Between Series](#)

[Surge Protection Adaptors](#)

[Phase Shifters](#)

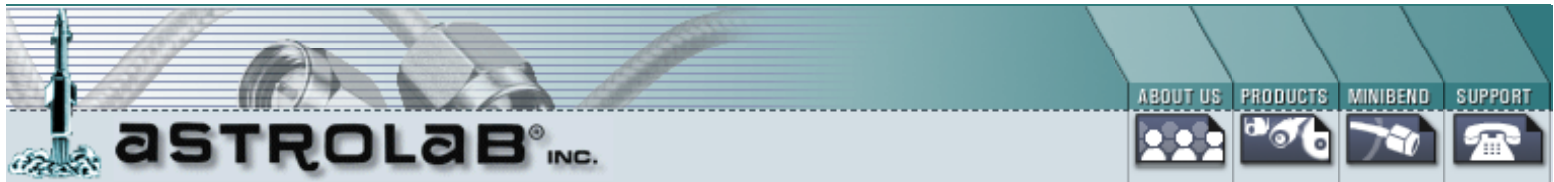
[Other Passive Components](#)

Tel: (732) 560-3800

Fax: (732) 560-9570

[support@astrolab.com](mailto:support@astrolab.com)

Search:  in



### Flexible Cable Connectors

[Catalog Home](#) -> [Microwave Connectors](#) -> [7mm Interface](#) -> Flexible Cable Connectors

Please continue your selection below:

- [90° sweep 7mm sexless - 29763](#)
- [7mm plug - 29755](#)
- [7mm plug - 29755](#)
- [7mm sexless - 29629](#)
- [7mm sexless - 29629](#)
- [7mm sexless, flanged - 29629F](#)
- [7mm sexless, flanged - 29629F](#)

### Browse By Category

[Catalog Home](#)

[Microwave Cable Assemblies](#)

[Microwave Cable](#)

[Microwave Connectors](#)

[Contacts](#)

[Adaptors Between Series](#)

[Surge Protection Adaptors](#)

[Phase Shifters](#)

[Other Passive Components](#)

Tel: (732) 560-3800

Fax: (732) 560-9570

[support@astrolab.com](mailto:support@astrolab.com)

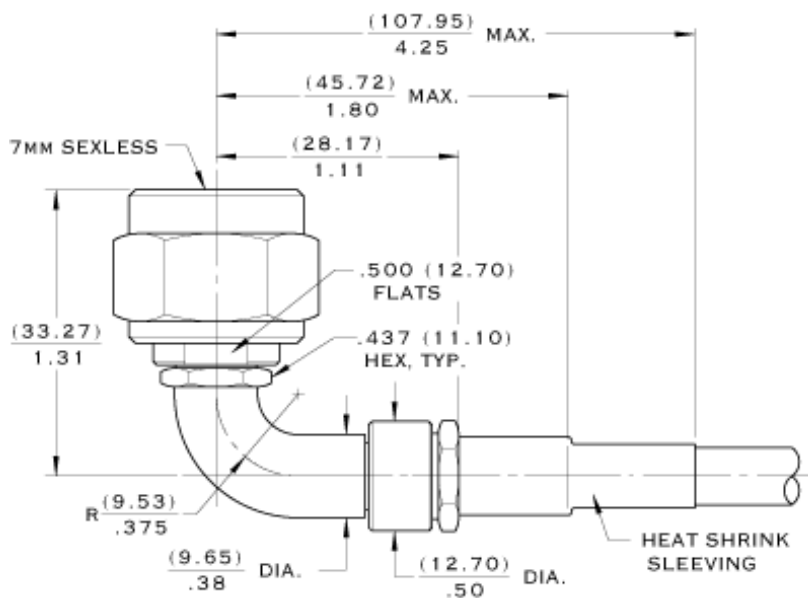
Search:  in



### 90° sweep 7mm sexless - 29763

[Catalog Home](#) -> [Microwave Connectors](#) -> [7mm Interface](#) -> [Flexible Cable Connectors](#) -> 90° sweep 7mm sexless - 29763

### 90° sweep 7mm sexless 29763



- frequency 18 GHz max.  
(Max. frequency can be limited by cable.)
- crimp ferrule

CABLE	PART NO.
RG-58C/U, 142/U, 142A/U, 223/U	29763-32-0
RG-174/U, 188/U, 316/U	29763-32-3
ASTROLAB 32001	29763-32-1
ASTROLAB 32004	29763-32-4
ASTROLAB 32019	29763-32-19
ASTROLAB 32022	29763-32-22
ASTROLAB 32024	29763-32-24
ASTROLAB 32025	29763-32-25
ASTROLAB 32027	29763-32-27
ASTROLAB 32029	29763-32-29
ASTROLAB 32039	29763-32-39
ASTROLAB 32048	29763-32-48
ASTROLAB 32050	29763-32-50
ASTROLAB 32051	29763-32-51
ASTROLAB 32055	29763-32-55
ASTROLAB 32081	29763-32-81
ASTROLAB 32084	29763-32-84
ASTROLAB 32086	29763-32-86
ASTROLAB 32094	29763-32-94

**Select Part No.:**

[Click here](#) to view your cart.

**Browse By Category**

[Catalog Home](#)

[Microwave Cable Assemblies](#)

[Microwave Cable](#)

[Microwave Connectors](#)

[Contacts](#)

[Adaptors Between Series](#)

[Surge Protection Adaptors](#)

[Phase Shifters](#)

[Other Passive Components](#)

Tel: (732) 560-3800

Fax: (732) 560-9570

[support@astrolab.com](mailto:support@astrolab.com)

Search:

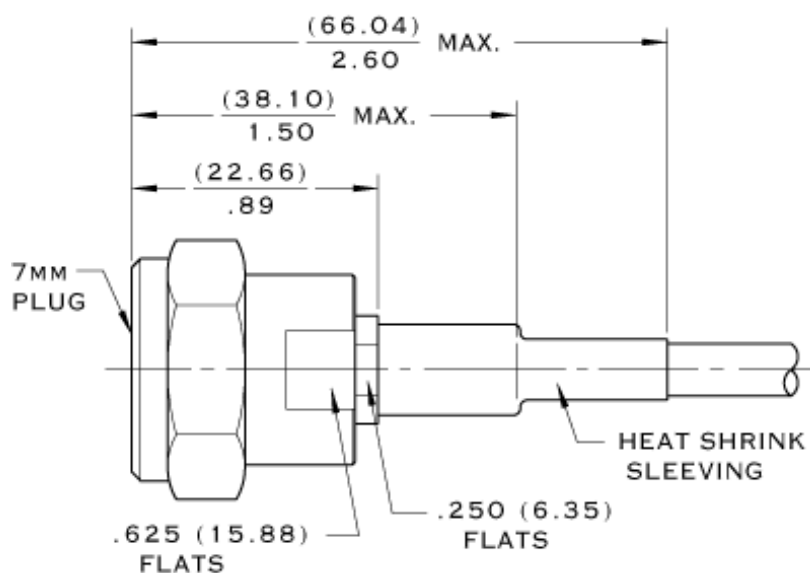
in



### 7mm plug - 29755

[Catalog Home](#) -> [Microwave Connectors](#) -> [7mm Interface](#) -> [Flexible Cable Connectors](#) -> 7mm plug - 29755

#### 7mm plug 29755



- frequency 18 GHz max.  
(Max. frequency can be limited by cable.)
- crimp ferrule

CABLE	PART NO.
RG-58C/U, 142/U, 142A/U, 223/U	29755-32-0
RG-174/U, 188/U, 316/U	29755-32-3
ASTROLAB 32001	29755-32-1
ASTROLAB 32004	29755-32-4
ASTROLAB 32022	29755-32-22
ASTROLAB 32024	29755-32-24
ASTROLAB 32025	29755-32-25
ASTROLAB 32027	29755-32-27
ASTROLAB 32029	29755-32-29
ASTROLAB 32081	29755-32-81
ASTROLAB 32084	29755-32-84
ASTROLAB 32086	29755-32-86

**Select Part No.:**

[Click here](#) to view your cart.

#### Browse By Category

[Catalog Home](#)  
[Microwave Cable Assemblies](#)  
[Microwave Cable](#)  
[Microwave Connectors](#)  
[Contacts](#)

[Adaptors Between Series](#)  
[Surge Protection Adaptors](#)  
[Phase Shifters](#)  
[Other Passive Components](#)

Search:

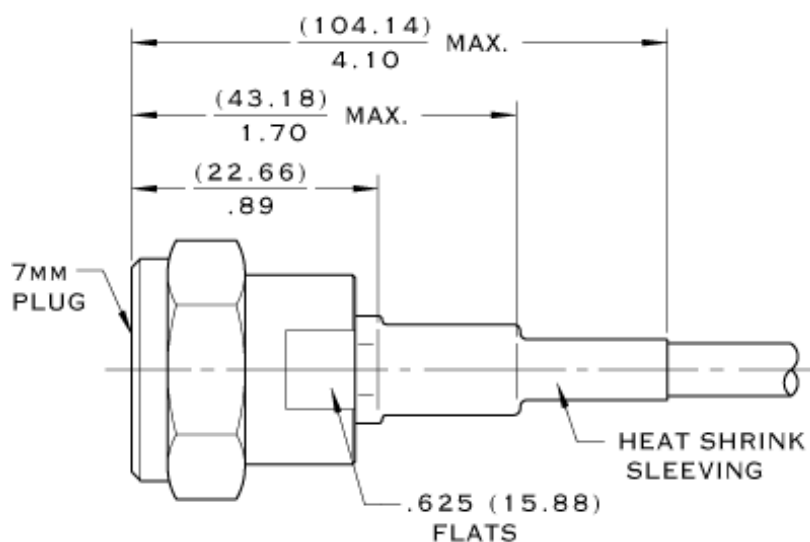
in



### 7mm plug - 29755

[Catalog Home](#) -> [Microwave Connectors](#) -> [7mm Interface](#) -> [Flexible Cable Connectors](#) -> 7mm plug - 29755

#### 7mm plug 29755



- frequency 18 GHz max.  
(Max. frequency can be limited by cable.)
- crimp ferrule

CABLE	PART NO.
ASTROLAB 32019	29755-32-19
ASTROLAB 32039	29755-32-39
ASTROLAB 32048	29755-32-48
ASTROLAB 32050	29755-32-50
ASTROLAB 32051	29755-32-51
ASTROLAB 32055	29755-32-55
ASTROLAB 32094	29755-32-94

Select Part No.:

[Click here](#) to view your cart.

#### Browse By Category

[Catalog Home](#)  
[Microwave Cable Assemblies](#)  
[Microwave Cable](#)  
[Microwave Connectors](#)  
[Contacts](#)

[Adaptors Between Series](#)  
[Surge Protection Adaptors](#)  
[Phase Shifters](#)  
[Other Passive Components](#)

Tel: (732) 560-3800

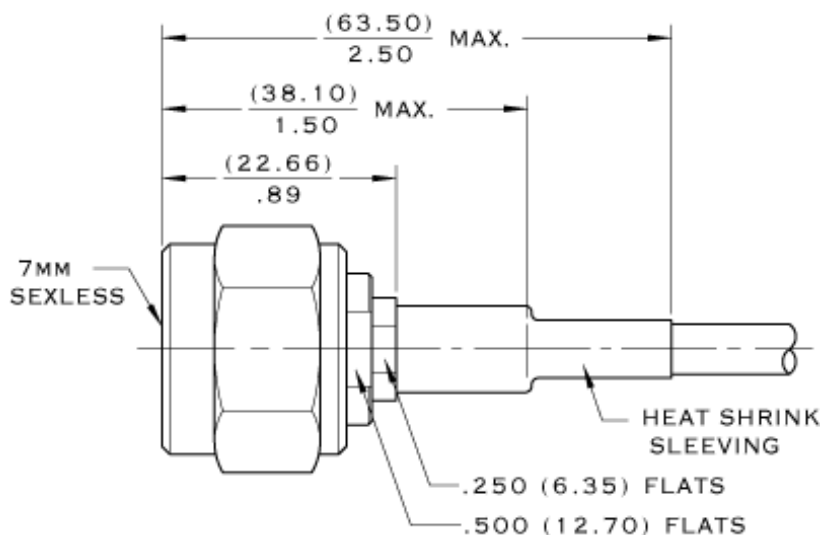
Fax: (732) 560-9570

[support@astrolab.com](mailto:support@astrolab.com)

Search:  in


**7mm sexless - 29629**

[Catalog Home](#) -> [Microwave Connectors](#) -> [7mm Interface](#) -> [Flexible Cable Connectors](#) -> 7mm sexless - 29629

**7mm sexless  
29629**


- frequency 18 GHz max.  
(Max. frequency can be limited by cable.)
- crimp ferrule

CABLE	PART NO.
RG-58C/U, 142/U, 142A/U, 223/U	29629-32-0
RG-174/U, 188/U, 316/U	29629-32-3
ASTROLAB 32001	29629-32-1
ASTROLAB 32004	29629-32-4
ASTROLAB 32022	29629-32-22
ASTROLAB 32024	29629-32-24
ASTROLAB 32025	29629-32-25
ASTROLAB 32027	29629-32-27
ASTROLAB 32029	29629-32-29
ASTROLAB 32081	29629-32-81
ASTROLAB 32084	29629-32-84
ASTROLAB 32086	29629-32-86

**Select Part No.:**

[Click here](#) to view your cart.

**Browse By Category**

[Catalog Home](#)  
[Microwave Cable Assemblies](#)  
[Microwave Cable](#)  
[Microwave Connectors](#)  
[Contacts](#)

[Adaptors Between Series](#)  
[Surge Protection Adaptors](#)  
[Phase Shifters](#)  
[Other Passive Components](#)

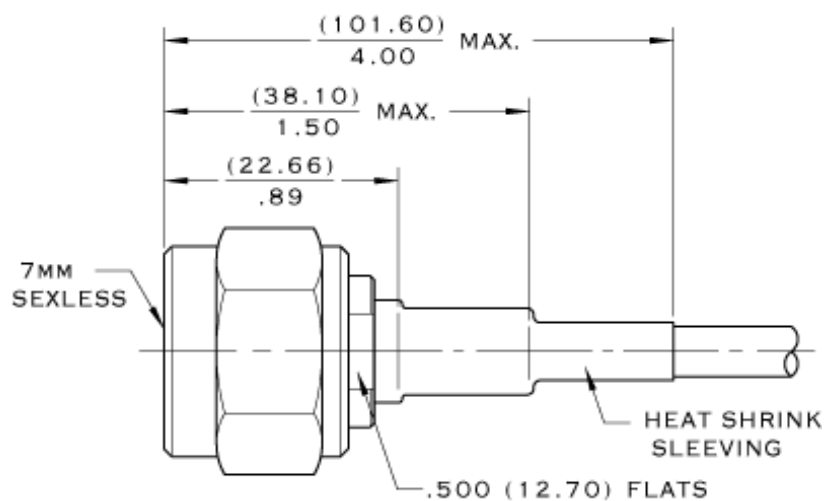
**Search:**  **in**



### 7mm sexless - 29629

[Catalog Home](#) -> [Microwave Connectors](#) -> [7mm Interface](#) -> [Flexible Cable Connectors](#) -> 7mm sexless - 29629

### 7mm sexless 29629



- frequency 18 GHz max.  
(Max. frequency can be limited by cable.)
- crimp ferrule

CABLE	PART NO.
ASTROLAB 32019	29629-32-19
ASTROLAB 32039	29629-32-39
ASTROLAB 32048	29629-32-48
ASTROLAB 32050	29629-32-50
ASTROLAB 32051	29629-32-51
ASTROLAB 32055	29629-32-55
ASTROLAB 32094	29629-32-94

**Select Part No.:**

[Click here](#) to view your cart.

#### Browse By Category

[Catalog Home](#)  
[Microwave Cable Assemblies](#)  
[Microwave Cable](#)  
[Microwave Connectors](#)  
[Contacts](#)

[Adaptors Between Series](#)  
[Surge Protection Adaptors](#)  
[Phase Shifters](#)  
[Other Passive Components](#)

Tel: (732) 560-3800

Fax: (732) 560-9570

[support@astrolab.com](mailto:support@astrolab.com)

Search:

in

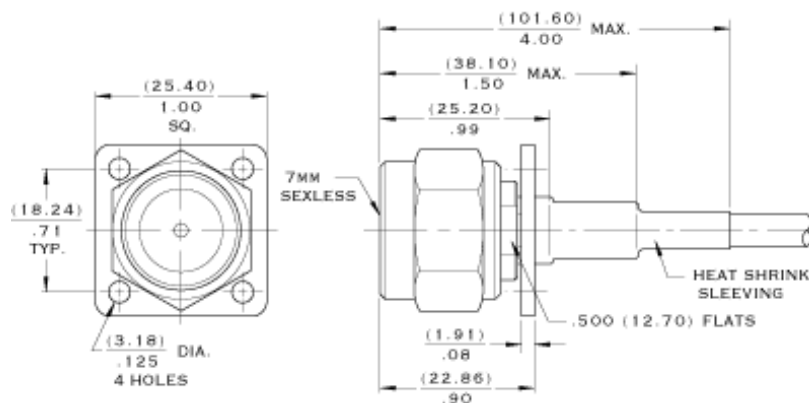




### 7mm sexless, flanged - 29629F

[Catalog Home](#) -> [Microwave Connectors](#) -> [7mm Interface](#) -> [Flexible Cable Connectors](#) -> 7mm sexless, flanged - 29629F

### 7mm sexless, flanged 29629F



- frequency 18 GHz max.  
(Max. frequency can be limited by cable.)
- crimp ferrule
- figure [N2 flange](#) detail

CABLE	PART NO.
ASTROLAB 32019	29629F-32-19
ASTROLAB 32039	29629F-32-39
ASTROLAB 32048	29629F-32-48
ASTROLAB 32050	29629F-32-50
ASTROLAB 32051	29629F-32-51
ASTROLAB 32055	29629F-32-55
ASTROLAB 32094	29629F-32-94

**Select Part No.:**

[Click here](#) to view your cart.

#### Browse By Category

[Catalog Home](#)  
[Microwave Cable Assemblies](#)  
[Microwave Cable](#)  
[Microwave Connectors](#)  
[Contacts](#)

[Adaptors Between Series](#)  
[Surge Protection Adaptors](#)  
[Phase Shifters](#)  
[Other Passive Components](#)

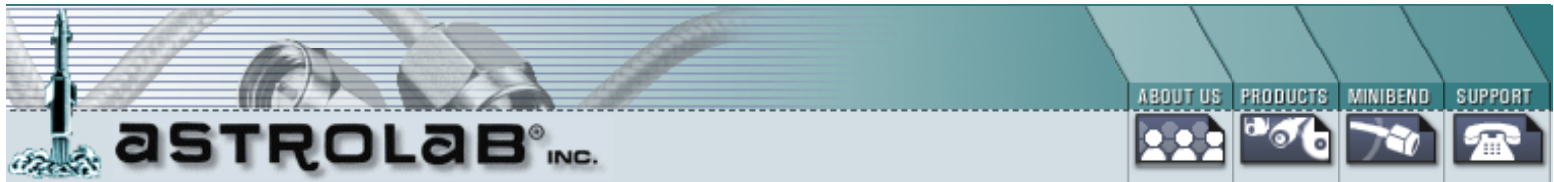
Tel: (732) 560-3800

Fax: (732) 560-9570

[support@astrolab.com](mailto:support@astrolab.com)

Search:

in



### Semi-Rigid Cable Connectors

[Catalog Home](#) -> [Microwave Connectors](#) -> [7mm Interface](#) -> Semi-Rigid Cable Connectors

Please continue your selection below:

- [90° sweep 7mm sexless - 29761](#)
- [7mm jack, bulkhead - 29756](#)
- [7mm jack, flanged - 29757F](#)
- [7mm plug - 29755](#)
- [7mm sexless - 29705](#)
- [7mm sexless, flanged - 29705F](#)

### Browse By Category

[Catalog Home](#)  
[Microwave Cable Assemblies](#)  
[Microwave Cable](#)  
[Microwave Connectors](#)  
[Contacts](#)

[Adaptors Between Series](#)  
[Surge Protection Adaptors](#)  
[Phase Shifters](#)  
[Other Passive Components](#)

Tel: (732) 560-3800

Fax: (732) 560-9570

[support@astrolab.com](mailto:support@astrolab.com)

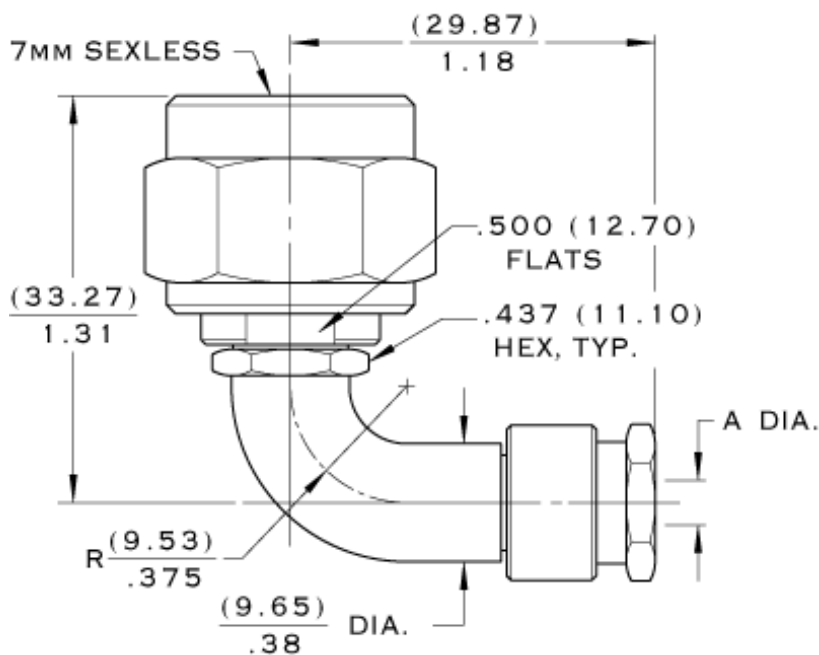
Search: \_\_\_\_\_ in \_\_\_\_\_



### 90° sweep 7mm sexless - 29761

[Catalog Home](#) -> [Microwave Connectors](#) -> [7mm Interface](#) -> [Semi-Rigid Cable Connectors](#) -> 90° sweep 7mm sexless - 29761

### 90° sweep 7mm sexless 29761



- frequency 18 GHz max.  
(Max. frequency can be limited by cable.)

CABLE	PART NO.	CABLE DIA.		A DIA.	
		IN.	MM	IN.	MM
ASTROLAB 31000, RG-402	29761-1	.141	3.58	.144	3.66
ASTROLAB 31086, RG-405	29761-2	.086	2.18	.089	2.26

**Select Part No.:**

[Click here](#) to view your cart.

#### Browse By Category

[Catalog Home](#)

[Microwave Cable Assemblies](#)

[Microwave Cable](#)

[Microwave Connectors](#)

[Contacts](#)

[Adaptors Between Series](#)

[Surge Protection Adaptors](#)

[Phase Shifters](#)

[Other Passive Components](#)

Tel: (732) 560-3800

Fax: (732) 560-9570

[support@astrolab.com](mailto:support@astrolab.com)

Search:

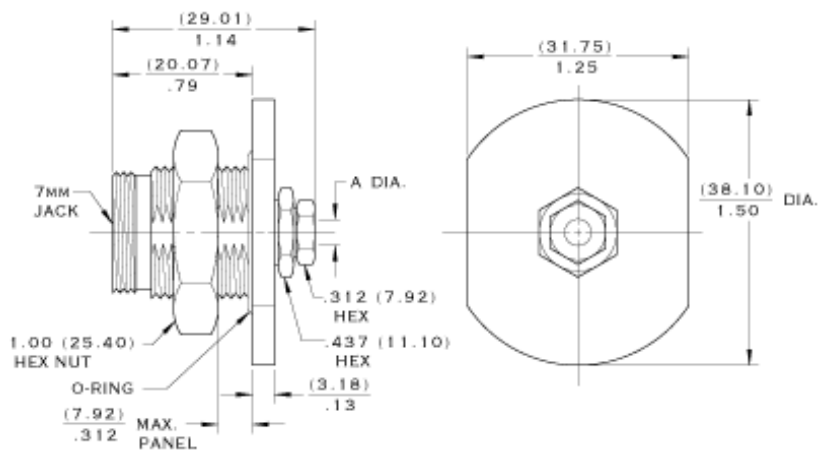
in



### 7mm jack, bulkhead - 29756

[Catalog Home](#) -> [Microwave Connectors](#) -> [7mm Interface](#) -> [Semi-Rigid Cable Connectors](#) -> 7mm jack, bulkhead - 29756

### 7mm jack, bulkhead 29756



- frequency 18 GHz max.  
(Max. frequency can be limited by cable.)
- figure [PC7 panel cut out](#)

CABLE	PART NO.	CABLE DIA.		A DIA.	
		IN.	MM	IN.	MM
ASTROLAB 31000, RG-402	29756-1	.141	3.58	.144	3.66
ASTROLAB 31086, RG-405	29756-2	.086	2.18	.089	2.26
RG-401	29756-4	.250	6.35	.255	6.48

**Select Part No.:**

[Click here](#) to view your cart.

#### Browse By Category

[Catalog Home](#)

[Microwave Cable Assemblies](#)

[Microwave Cable](#)

[Microwave Connectors](#)

[Contacts](#)

[Adaptors Between Series](#)

[Surge Protection Adaptors](#)

[Phase Shifters](#)

[Other Passive Components](#)

Tel: (732) 560-3800

Fax: (732) 560-9570

[support@astrolab.com](mailto:support@astrolab.com)

Search:

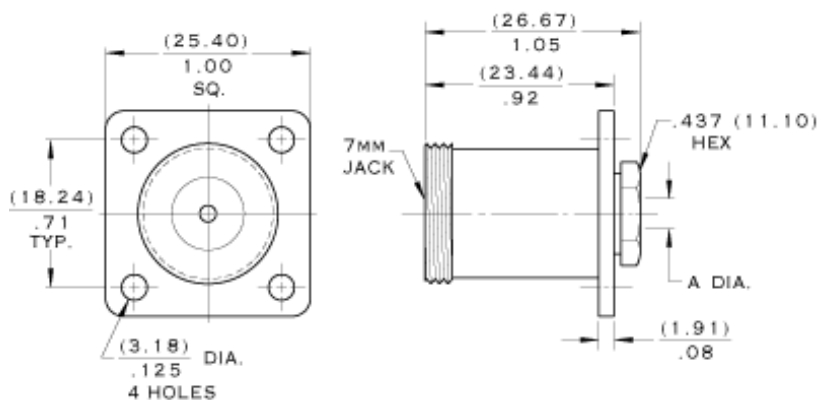
in



### 7mm jack, flanged - 29757F

[Catalog Home](#) -> [Microwave Connectors](#) -> [7mm Interface](#) -> [Semi-Rigid Cable Connectors](#) -> 7mm jack, flanged - 29757F

### 7mm jack, flanged 29757F



- frequency 18 GHz max.  
(Max. frequency can be limited by cable.)
- figure [N2 flange](#) detail

CABLE	PART NO.	CABLE DIA.		A DIA.	
		IN.	MM	IN.	MM
ASTROLAB 31000, RG-402	29757F-1	.141	3.58	.144	3.66
ASTROLAB 31086, RG-405	29757F-2	.086	2.18	.089	2.26
RG-401	29757F-4	.250	6.35	.255	6.48

Select Part No.:

[Click here](#) to view your cart.

#### Browse By Category

[Catalog Home](#)  
[Microwave Cable Assemblies](#)  
[Microwave Cable](#)  
[Microwave Connectors](#)  
[Contacts](#)

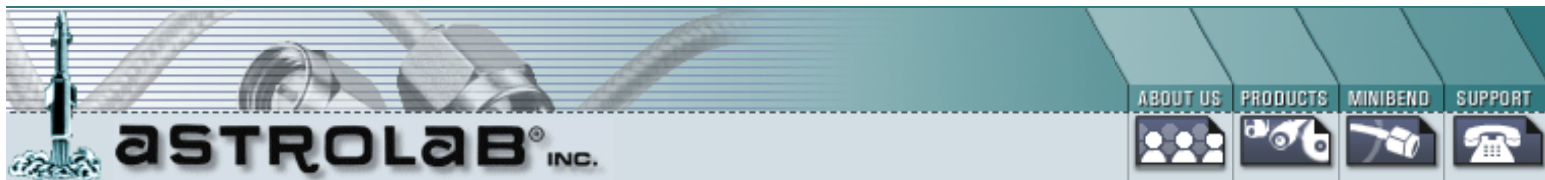
[Adaptors Between Series](#)  
[Surge Protection Adaptors](#)  
[Phase Shifters](#)  
[Other Passive Components](#)

Tel: (732) 560-3800

Fax: (732) 560-9570

[support@astrolab.com](mailto:support@astrolab.com)

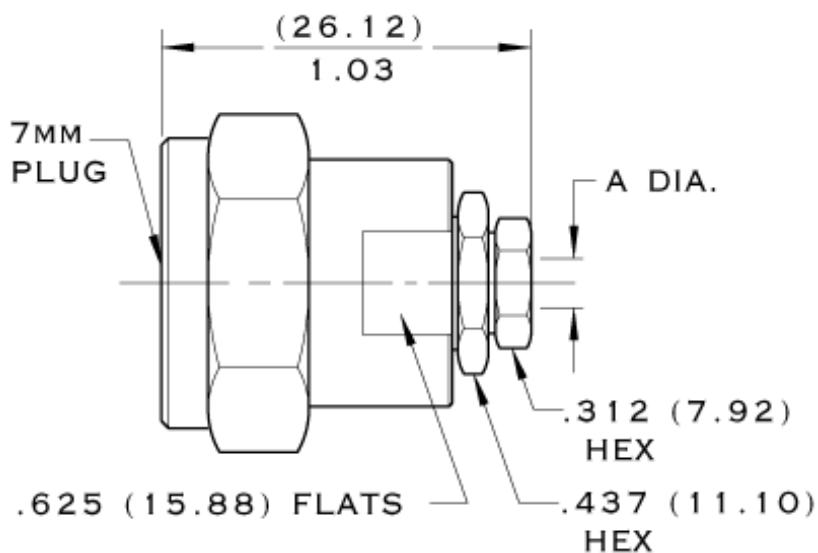
Search:  in



### 7mm plug - 29755

[Catalog Home](#) -> [Microwave Connectors](#) -> [7mm Interface](#) -> [Semi-Rigid Cable Connectors](#) -> 7mm plug - 29755

#### 7mm plug 29755



- frequency 18 GHz max.  
(Max. frequency can be limited by cable.)

CABLE	PART NO.	CABLE DIA.		A DIA.	
		IN.	MM	IN.	MM
ASTROLAB 31000, RG-402	29755-1	.141	3.58	.144	3.66
ASTROLAB 31086, RG-405	29755-2	.086	2.18	.089	2.26

**Select Part No.:**

[Click here](#) to view your cart.

#### Browse By Category

[Catalog Home](#)  
[Microwave Cable Assemblies](#)  
[Microwave Cable](#)  
[Microwave Connectors](#)  
[Contacts](#)

[Adaptors Between Series](#)  
[Surge Protection Adaptors](#)  
[Phase Shifters](#)  
[Other Passive Components](#)

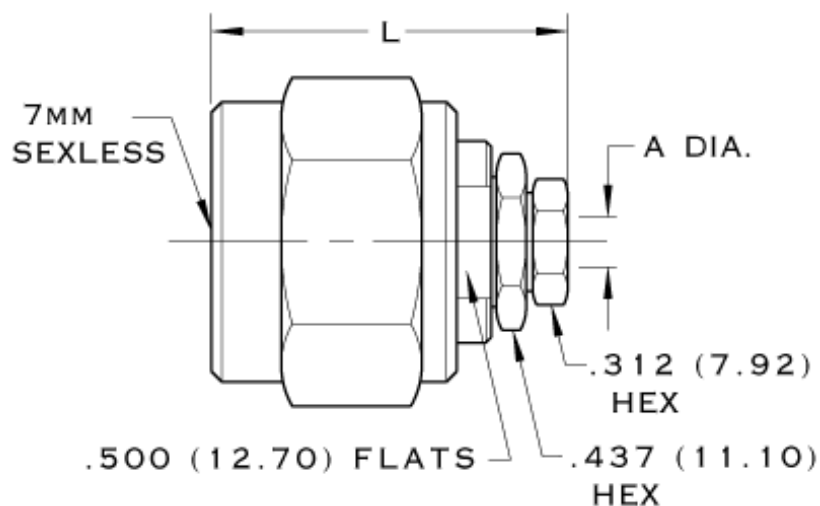
Tel: (732) 560-3800

Fax: (732) 560-9570

[support@astrolab.com](mailto:support@astrolab.com)

Search:  in


**7mm sexless - 29705**
[Catalog Home](#) -> [Microwave Connectors](#) -> [7mm Interface](#) -> [Semi-Rigid Cable Connectors](#) -> 7mm sexless - 29705

**7mm sexless  
29705**


- frequency 18 GHz max.  
(Max. frequency can be limited by cable.)

CABLE	PART NO.	CABLE DIA.		A DIA.		L	
		IN.	MM	IN.	MM	IN.	MM
ASTROLAB 31000; RG-402	29705-1	.141	3.58	.144	3.66	1.02	25.91
ASTROLAB 31086; RG-405	29705-2	.086	2.18	.089	2.26	1.02	25.91
RG-401	29705-4	.250	6.35	.255	6.48	.98	24.89
ASTROLAB 33000	29705-33	ASTROLAB 33000		.238	6.05	.98	24.89

**Select Part No.:**
[Click here](#) to view your cart.

**Browse By Category**

[Catalog Home](#)  
[Microwave Cable Assemblies](#)  
[Microwave Cable](#)  
[Microwave Connectors](#)  
[Contacts](#)

[Adaptors Between Series](#)  
[Surge Protection Adaptors](#)  
[Phase Shifters](#)  
[Other Passive Components](#)

Tel: (732) 560-3800

Fax: (732) 560-9570

[support@astrolab.com](mailto:support@astrolab.com)

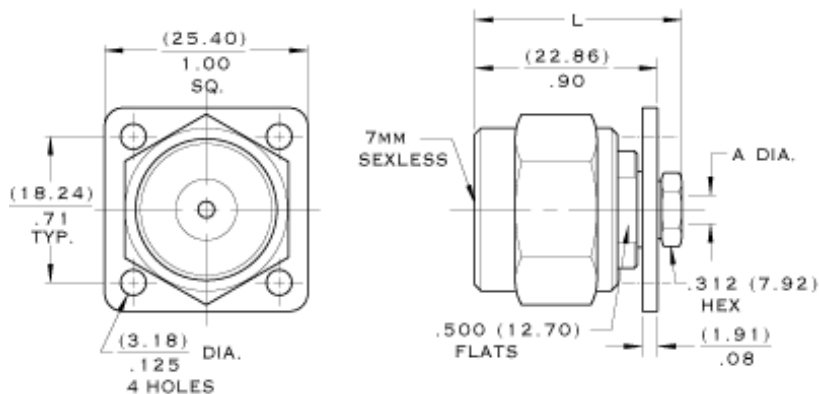
 Search:  in



### 7mm sexless, flanged - 29705F

[Catalog Home](#) -> [Microwave Connectors](#) -> [7mm Interface](#) -> [Semi-Rigid Cable Connectors](#) -> 7mm sexless, flanged - 29705F

### 7mm sexless, flanged 29705F



- frequency 18 GHz max.  
(Max. frequency can be limited by cable.)
- figure [N2 flange](#) detail

CABLE	PART NO.	CABLE DIA.		A DIA.		L	
		IN.	MM	IN.	MM	IN.	MM
ASTROLAB 31000, RG-402	29705F-1	.141	3.58	.144	3.66	1.02	25.91
ASTROLAB 31086, RG-405	29705F-2	.086	2.18	.089	2.26	1.04	26.42

Select Part No.:

[Click here](#) to view your cart.

#### Browse By Category

[Catalog Home](#)  
[Microwave Cable Assemblies](#)  
[Microwave Cable](#)  
[Microwave Connectors](#)  
[Contacts](#)

[Adaptors Between Series](#)  
[Surge Protection Adaptors](#)  
[Phase Shifters](#)  
[Other Passive Components](#)

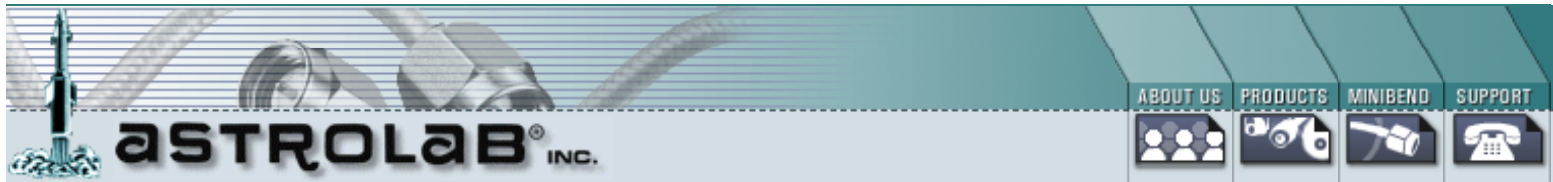
Tel: (732) 560-3800

Fax: (732) 560-9570

[support@astrolab.com](mailto:support@astrolab.com)

Search:

in



### Panel Mount Connectors

[Catalog Home](#) -> [Microwave Connectors](#) -> [7mm Interface](#) -> Panel Mount Connectors

Please continue your selection below:

- [90° sweep 7mm sexless, flanged - 29742](#)
- [7mm sexless, flanged - 29759](#)

### Browse By Category

[Catalog Home](#)

[Microwave Cable Assemblies](#)

[Microwave Cable](#)

[Microwave Connectors](#)

[Contacts](#)

[Adaptors Between Series](#)

[Surge Protection Adaptors](#)

[Phase Shifters](#)

[Other Passive Components](#)

Tel: (732) 560-3800

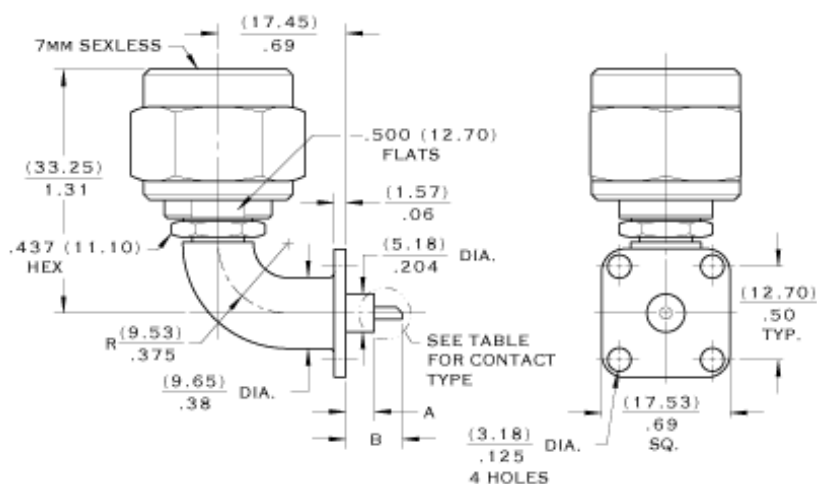
Fax: (732) 560-9570

[support@astrolab.com](mailto:support@astrolab.com)

Search:  in


**90° sweep 7mm sexless, flanged - 29742**

[Catalog Home](#) -> [Microwave Connectors](#) -> [7mm Interface](#) -> [Panel Mount Connectors](#) -> 90° sweep 7mm sexless, flanged - 29742

**90° sweep 7mm sexless, flanged  
29742**


- frequency 18 GHz max.
- figure [T1 flange](#) detail

PART NO.	CONTACT TYPE	A		B	
		IN.	MM	IN.	MM
29742-1	1AS	.165	4.19	.380	9.65
29742-2	2AS	.000	0.00	.050	1.27
29742-3	5AS	.000	0.00	.100	2.54
29742-4	3AS	.000	0.00	.062	1.57
29742-5	3AS	.000	0.00	.093	2.36
29742-6	3AS	.000	0.00	.125	3.18
29742-7	5AS	.350	8.89	.450	11.43
29742-8	1AS	.000	0.00	.050	1.27
29742-10	3AS	.480	12.19	1.000	25.40
29742-11	3AS	.270	6.86	.340	8.64
29742-12	3AS	.188	4.78	.388	9.86
29742-13	3AS	.125	3.18	.250	6.35

**Select Part No.:**

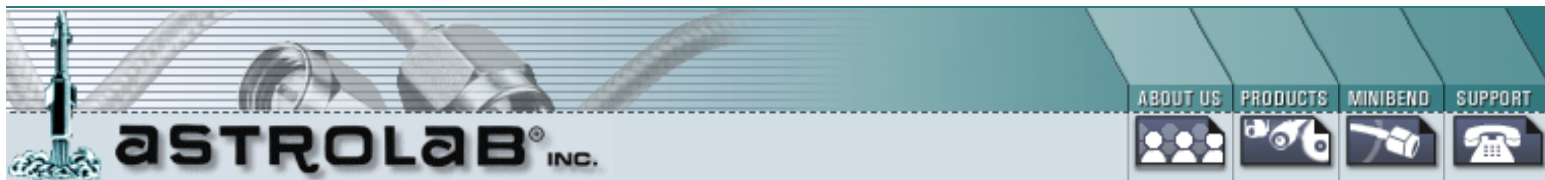
[Click here](#) to view your cart.

**Browse By Category**

[Catalog Home](#)  
[Microwave Cable Assemblies](#)  
[Microwave Cable](#)  
[Microwave Connectors](#)  
[Contacts](#)

[Adaptors Between Series](#)  
[Surge Protection Adaptors](#)  
[Phase Shifters](#)  
[Other Passive Components](#)

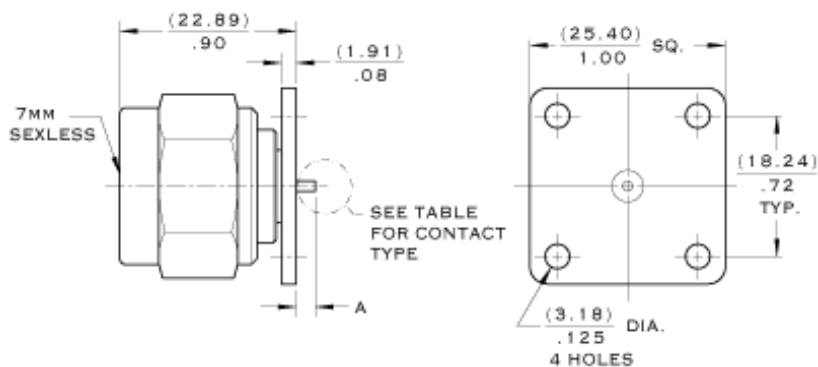
**Search:**  **in**



### 7mm sexless, flanged - 29759

[Catalog Home](#) -> [Microwave Connectors](#) -> [7mm Interface](#) -> [Panel Mount Connectors](#) -> 7mm sexless, flanged - 29759

### 7mm sexless, flanged 29759



- frequency 18 GHz max.
- figure [N2 flange](#) detail
- figure [N4 flange](#) available

PART NO.	CONTACT TYPE	A	
		IN.	MM
29759-1	5C	.100	2.54
29759-2	5D	.050	1.27
29759-3	3C	.290	7.37
29759-4	2J	.100	2.54
29759-5	2N	.100	2.54
29759-6	2L	.100	2.54
29759-7	8C	.000	0.00
29759-8	3D	.025	.064

**Select Part No.:**

[Click here](#) to view your cart.

#### Browse By Category

[Catalog Home](#)  
[Microwave Cable Assemblies](#)  
[Microwave Cable](#)  
[Microwave Connectors](#)  
[Contacts](#)

[Adaptors Between Series](#)  
[Surge Protection Adaptors](#)  
[Phase Shifters](#)  
[Other Passive Components](#)

Tel: (732) 560-3800

Fax: (732) 560-9570

[support@astrolab.com](mailto:support@astrolab.com)

Search:

in