

Flexible Cable Connectors

[Catalog Home](#) -> [Microwave Connectors](#) -> [SSMA Interface](#) -> Flexible Cable Connectors

Please continue your selection below:

- [90° sweep SSMA jack - 29403](#)
- [90° sweep SSMA plug - 29404](#)
- [SSMA jack, bulkhead - 29125](#)
- [SSMA jack, bulkhead - 29125](#)
- [SSMA jack - 29113](#)
- [SSMA jack - 29113](#)
- [SSMA plug - 29112](#)
- [SSMA plug - 29112](#)
- [right angle SSMA plug - 29111](#)
- [right angle SSMA plug - 29111](#)

Browse By Category

[Catalog Home](#)

[Microwave Cable Assemblies](#)

[Microwave Cable](#)

[Microwave Connectors](#)

[Contacts](#)

[Adaptors Between Series](#)

[Surge Protection Adaptors](#)

[Phase Shifters](#)

[Other Passive Components](#)

Tel: (732) 560-3800

Fax: (732) 560-9570

support@astrolab.com

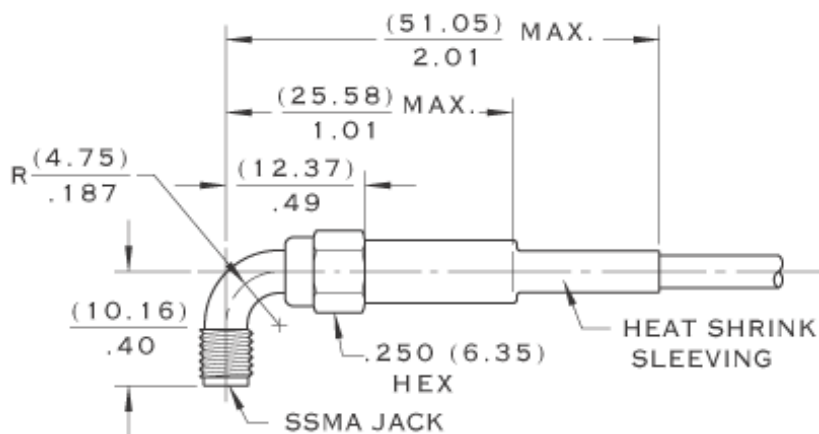
Search: _____ in _____



90° sweep SSMA jack - 29403

[Catalog Home](#) -> [Microwave Connectors](#) -> [SSMA Interface](#) -> [Flexible Cable Connectors](#) -> 90° sweep SSMA jack - 29403

90° sweep SSMA jack 29403



- frequency 35 GHz max.
(Max. frequency can be limited by cable.)
- crimp ferrule

CABLE	PART NO.
RG-174/U, 188/U, 316/U	29403-32-3
ASTROLAB 32001	29403-32-1
ASTROLAB 32004	29403-32-4
ASTROLAB 32018	29403-32-18
ASTROLAB 32018DS	29403-32-18DS
ASTROLAB 32022	29403-32-22
ASTROLAB 32024	29403-32-24
ASTROLAB 32025	29403-32-25
ASTROLAB 32027	29403-32-27
ASTROLAB 32029	29403-32-29
ASTROLAB 32081	29403-32-81
ASTROLAB 32084	29403-32-84
ASTROLAB 32086	29403-32-86

Select Part No.:

[Click here](#) to view your cart.

Browse By Category

[Catalog Home](#)
[Microwave Cable Assemblies](#)
[Microwave Cable](#)
[Microwave Connectors](#)
[Contacts](#)

[Adaptors Between Series](#)
[Surge Protection Adaptors](#)
[Phase Shifters](#)
[Other Passive Components](#)

Tel: (732) 560-3800

Fax: (732) 560-9570

support@astrolab.com

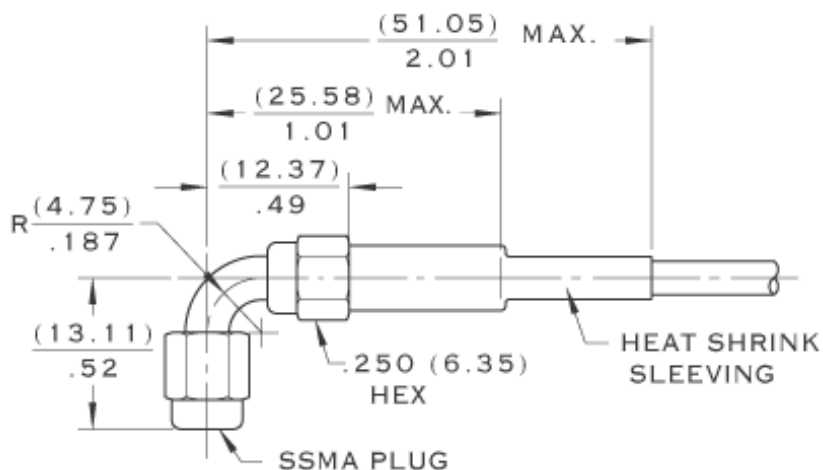
Search: in



90° sweep SSMA plug - 29404

[Catalog Home](#) -> [Microwave Connectors](#) -> [SSMA Interface](#) -> [Flexible Cable Connectors](#) -> 90° sweep SSMA plug - 29404

90° sweep SSMA plug 29404



- frequency 35 GHz max.
(Max. frequency can be limited by cable.)
- crimp ferrule

CABLE	PART NO.
RG-174/U, 188/U, 316/U	29404-32-3
ASTROLAB 32001	29404-32-1
ASTROLAB 32004	29404-32-4
ASTROLAB 32018	29404-32-18
ASTROLAB 32018DS	29404-32-18DS
ASTROLAB 32022	29404-32-22
ASTROLAB 32024	29404-32-24
ASTROLAB 32025	29404-32-25
ASTROLAB 32027	29404-32-27
ASTROLAB 32029	29404-32-29
ASTROLAB 32081	29404-32-81
ASTROLAB 32084	29404-32-84
ASTROLAB 32086	29404-32-86

Select Part No.:

[Click here](#) to view your cart.

Browse By Category

[Catalog Home](#)
[Microwave Cable Assemblies](#)
[Microwave Cable](#)
[Microwave Connectors](#)
[Contacts](#)

[Adaptors Between Series](#)
[Surge Protection Adaptors](#)
[Phase Shifters](#)
[Other Passive Components](#)

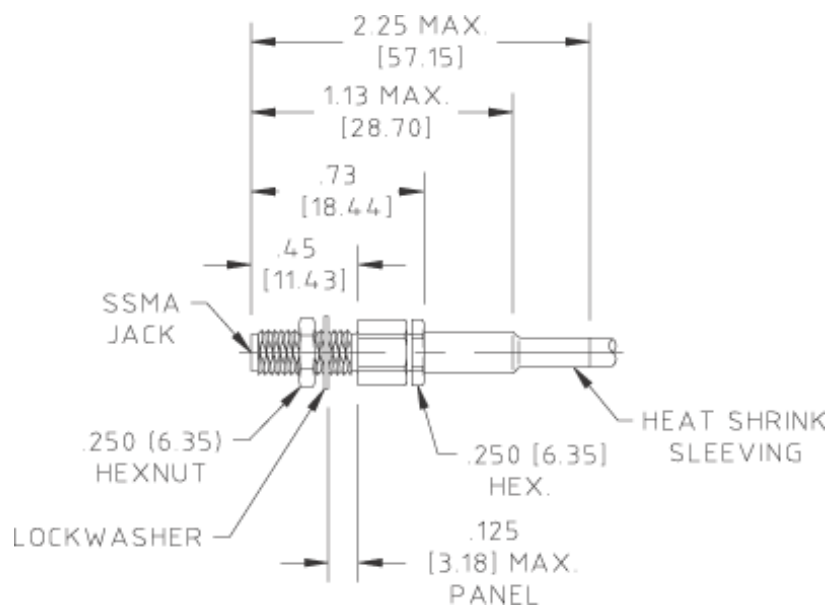
Search: **in**



SSMA jack, bulkhead - 29125

[Catalog Home](#) -> [Microwave Connectors](#) -> [SSMA Interface](#) -> [Flexible Cable Connectors](#) -> SSMA jack, bulkhead - 29125

SSMA jack, bulkhead 29125



- frequency 12 GHz max.
(Max. frequency can be limited by cable.)
- crimp ferrule
- figure [PC1 panel cut out](#)

CABLE	PART NO.
RG-174/U, 188/U, 316/U	29125-1
RG-178/U, 196/U	29125-3
RG-179A/U, 187/U	29125-2
RG-180/U, 195/U	29125-RG180
ASTROLAB 32001	29125-32-1

Select Part No.:

[Click here](#) to view your cart.

Browse By Category

[Catalog Home](#)
[Microwave Cable Assemblies](#)
[Microwave Cable](#)
[Microwave Connectors](#)
[Contacts](#)

[Adaptors Between Series](#)
[Surge Protection Adaptors](#)
[Phase Shifters](#)
[Other Passive Components](#)

Tel: (732) 560-3800

Fax: (732) 560-9570

support@astrolab.com

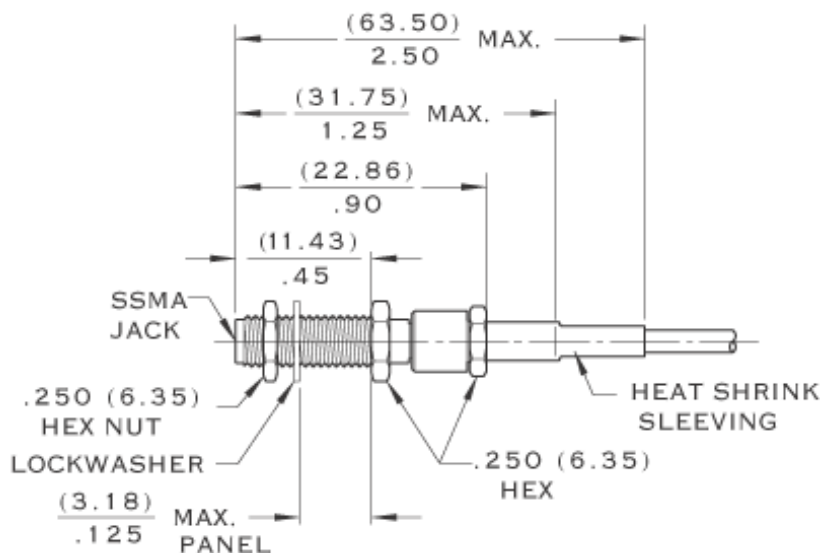
Search: in



SSMA jack, bulkhead - 29125

[Catalog Home](#) -> [Microwave Connectors](#) -> [SSMA Interface](#) -> [Flexible Cable Connectors](#) -> SSMA jack, bulkhead - 29125

SSMA jack, bulkhead 29125



- frequency 36 GHz max.
(Max. frequency can be limited by cable.)
- crimp ferrule
- figure [PC1 panel cut out](#)

CABLE	PART NO.
ASTROLAB 32004	29125-32-4
ASTROLAB 32018	29125-32-18
ASTROLAB 32018DS	29125-32-18DS
ASTROLAB 32022	29125-32-22
ASTROLAB 32024	29125-32-24
ASTROLAB 32025	29125-32-25
ASTROLAB 32027	29125-32-27
ASTROLAB 32029	29125-32-29
ASTROLAB 32081	29125-32-81
ASTROLAB 32084	29125-32-84
ASTROLAB 32086	29125-32-86

Select Part No.:

[Click here](#) to view your cart.

Browse By Category

[Catalog Home](#)
[Microwave Cable Assemblies](#)
[Microwave Cable](#)
[Microwave Connectors](#)
[Contacts](#)

[Adaptors Between Series](#)
[Surge Protection Adaptors](#)
[Phase Shifters](#)
[Other Passive Components](#)

Search:

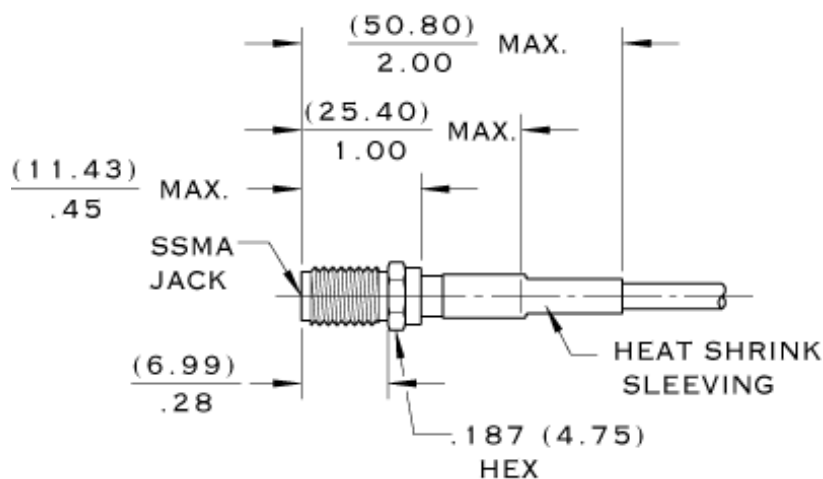
in



SSMA jack - 29113

[Catalog Home](#) -> [Microwave Connectors](#) -> [SSMA Interface](#) -> [Flexible Cable Connectors](#) -> SSMA jack - 29113

SSMA jack 29113



- frequency 12 GHz max.
(Max. frequency can be limited by cable.)
- crimp ferrule

CABLE	PART NO.
RG-174/U, 188/U, 316/U	29113-1
RG-178/U, 196/U	29113-3
RG-179A/U, 187/U	29113-2
RG-180/U, 195/U	29113-RG180
ASTROLAB 32001	29113-32-1

Select Part No.:

[Click here](#) to view your cart.

Browse By Category

[Catalog Home](#)
[Microwave Cable Assemblies](#)
[Microwave Cable](#)
[Microwave Connectors](#)
[Contacts](#)

[Adaptors Between Series](#)
[Surge Protection Adaptors](#)
[Phase Shifters](#)
[Other Passive Components](#)

Tel: (732) 560-3800

Fax: (732) 560-9570

support@astrolab.com

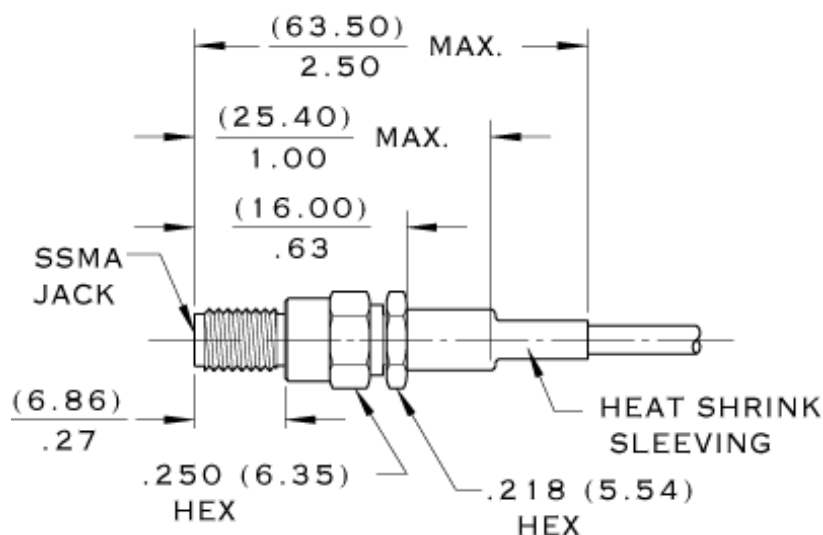
Search: in



SSMA jack - 29113

[Catalog Home](#) -> [Microwave Connectors](#) -> [SSMA Interface](#) -> [Flexible Cable Connectors](#) -> SSMA jack - 29113

SSMA jack 29113



- frequency 36 GHz max.
(Max. frequency can be limited by cable.)
- crimp ferrule

CABLE	PART NO.
ASTROLAB 32004	29113-32-4
ASTROLAB 32018	29113-32-18
ASTROLAB 32018DS	29113-32-18DS
ASTROLAB 32022	29113-32-22
ASTROLAB 32024	29113-32-24
ASTROLAB 32025	29113-32-25
ASTROLAB 32027	29113-32-27
ASTROLAB 32029	29113-32-29
ASTROLAB 32081	29113-32-81
ASTROLAB 32084	29113-32-84
ASTROLAB 32086	29113-32-86

Select Part No.:

[Click here](#) to view your cart.

Browse By Category

[Catalog Home](#)
[Microwave Cable Assemblies](#)
[Microwave Cable](#)
[Microwave Connectors](#)
[Contacts](#)

[Adaptors Between Series](#)
[Surge Protection Adaptors](#)
[Phase Shifters](#)
[Other Passive Components](#)

Tel: (732) 560-3800

Fax: (732) 560-9570

support@astrolab.com

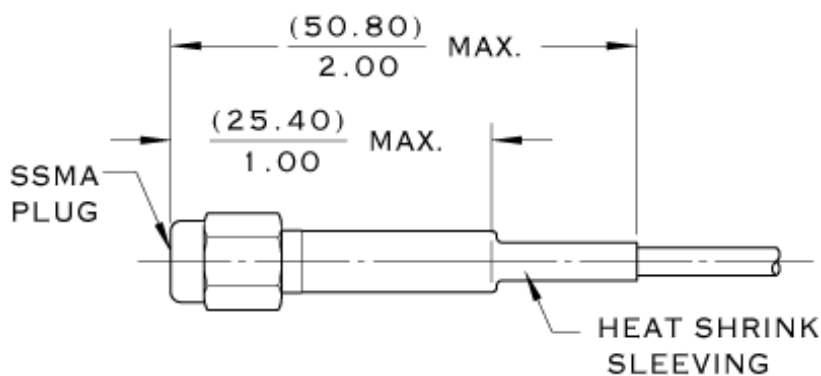
Search: in



SSMA plug - 29112

[Catalog Home](#) -> [Microwave Connectors](#) -> [SSMA Interface](#) -> [Flexible Cable Connectors](#) -> SSMA plug - 29112

SSMA plug 29112



- frequency 36 GHz max.
(Max. frequency can be limited by cable.)
- crimp ferrule

CABLE	PART NO.
RG-174/U, 188/U, 316/U	29112-1
RG-179A/U, 187/U	29112-2
RG-178/U, 196/U	29112-3
RG-180/U, 195/U	29112-RG180
ASTROLAB 32022	29112-32-22
ASTROLAB 32027	29112-32-27
ASTROLAB 32029	29112-32-29
ASTROLAB 32086	29112-32-86

Select Part No.:

[Click here](#) to view your cart.

Browse By Category

[Catalog Home](#)
[Microwave Cable Assemblies](#)
[Microwave Cable](#)
[Microwave Connectors](#)
[Contacts](#)

[Adaptors Between Series](#)
[Surge Protection Adaptors](#)
[Phase Shifters](#)
[Other Passive Components](#)

Tel: (732) 560-3800

Fax: (732) 560-9570

support@astrolab.com

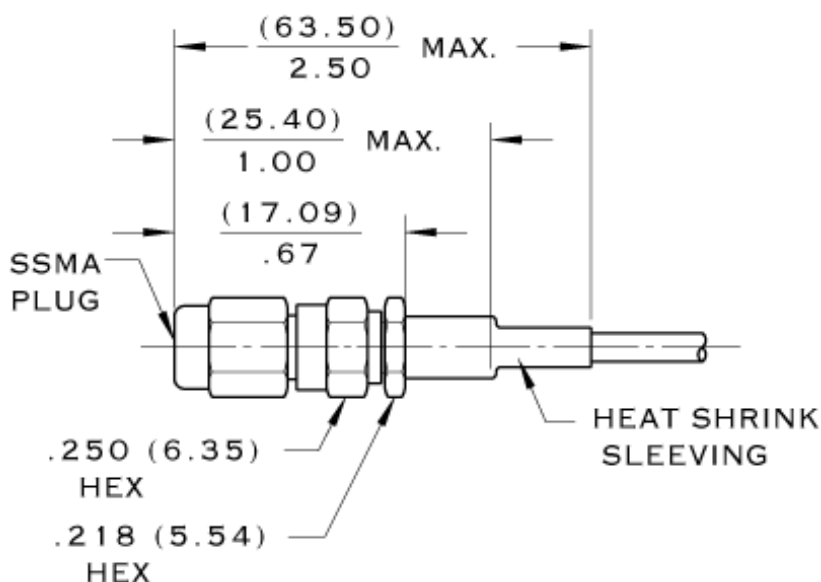
Search: in



SSMA plug - 29112

[Catalog Home](#) -> [Microwave Connectors](#) -> [SSMA Interface](#) -> [Flexible Cable Connectors](#) -> SSMA plug - 29112

SSMA plug 29112



- frequency 36 GHz max.
(Max. frequency can be limited by cable.)
- crimp ferrule

CABLE	PART NO.
ASTROLAB 32004	29112-32-4
ASTROLAB 32018	29112-32-18
ASTROLAB 32018DS	29112-32-18DS
ASTROLAB 32024	29112-32-24
ASTROLAB 32025	29112-32-25
ASTROLAB 32081	29112-32-81
ASTROLAB 32084	29112-32-84

Select Part No.:

[Click here](#) to view your cart.

Browse By Category

[Catalog Home](#)

[Microwave Cable Assemblies](#)

[Microwave Cable](#)

[Microwave Connectors](#)

[Contacts](#)

[Adaptors Between Series](#)

[Surge Protection Adaptors](#)

[Phase Shifters](#)

[Other Passive Components](#)

Tel: (732) 560-3800

Fax: (732) 560-9570

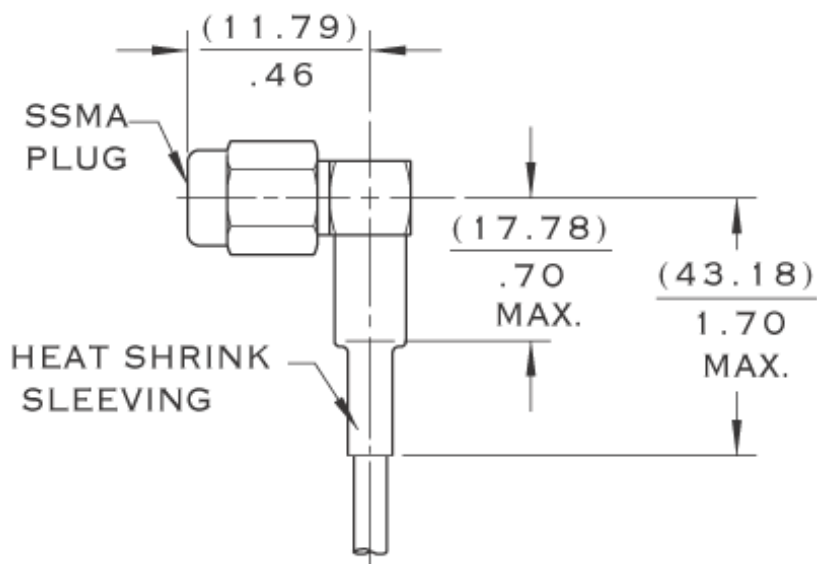
support@astrolab.com

Search:

in


right angle SSMA plug - 29111

[Catalog Home](#) -> [Microwave Connectors](#) -> [SSMA Interface](#) -> [Flexible Cable Connectors](#) -> right angle SSMA plug - 29111

**right angle SSMA plug
29111**


- frequency 10 GHz max.
(Max. frequency can be limited by cable.)

CABLE	PART NO.	TYPE
RG-174/U, 188/U, 316/U	29111-3	solder
	29111-6	crimp
RG-178/U, 196/U	29111-1	solder
	29111-4	crimp
RG-179A/U, 187/U	29111-RG179	crimp
RG-180/U, 195/U	29111-RG180	crimp
ASTROLAB 32001	29111-32-1	crimp
ASTROLAB 32018	29111-32-18	crimp
ASTROLAB 32018DS	29111-32-18DS	crimp
ASTROLAB 32081	29111-32-81	crimp
ASTROLAB 32086	29111-32-86	crimp

Select Part No.:

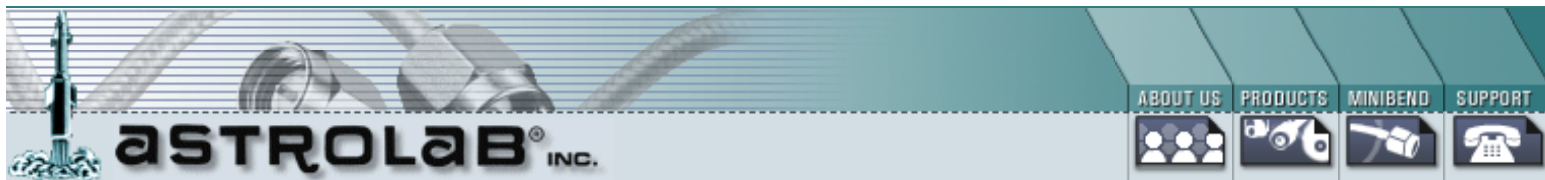
[Click here](#) to view your cart.

Browse By Category

[Catalog Home](#)
[Microwave Cable Assemblies](#)
[Microwave Cable](#)
[Microwave Connectors](#)
[Contacts](#)

[Adaptors Between Series](#)
[Surge Protection Adaptors](#)
[Phase Shifters](#)
[Other Passive Components](#)

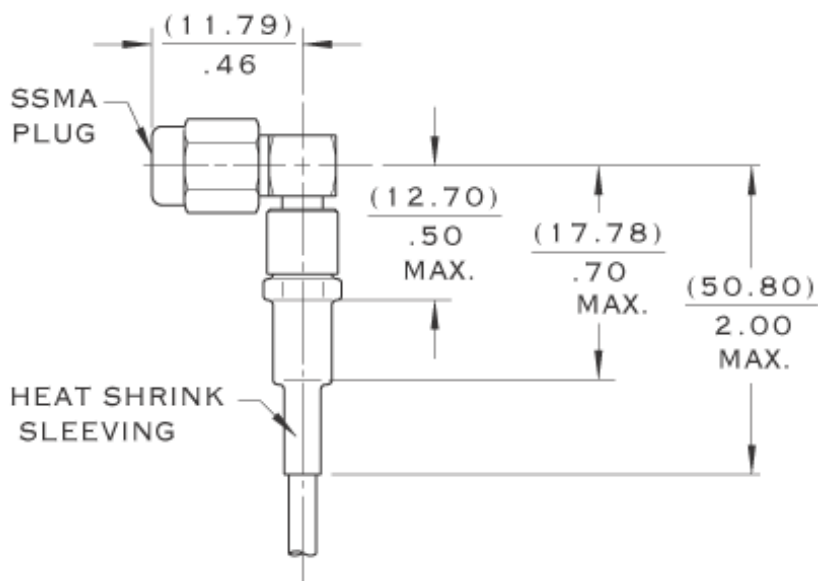
Search: **in**



right angle SSMA plug - 29111

[Catalog Home](#) -> [Microwave Connectors](#) -> [SSMA Interface](#) -> [Flexible Cable Connectors](#) -> right angle SSMA plug - 29111

right angle SSMA plug 29111



- frequency 10 GHz max.
(Max. frequency can be limited by cable.)

CABLE	PART NO.
ASTROLAB 32004	29111-32-4
ASTROLAB 32018	29111-32-18
ASTROLAB 32018DS	29111-32-18DS
ASTROLAB 32024	29111-32-24
ASTROLAB 32025	29111-32-25
ASTROLAB 32081	29111-32-81
ASTROLAB 32084	29111-32-84

Select Part No.:

[Click here](#) to view your cart.

Browse By Category

[Catalog Home](#)
[Microwave Cable Assemblies](#)
[Microwave Cable](#)
[Microwave Connectors](#)
[Contacts](#)

[Adaptors Between Series](#)
[Surge Protection Adaptors](#)
[Phase Shifters](#)
[Other Passive Components](#)

Tel: (732) 560-3800

Fax: (732) 560-9570

support@astrolab.com

Search: in