

Flexible Cable Connectors

[Catalog Home](#) -> [Microwave Connectors](#) -> [ATNC Interface](#) -> Flexible Cable Connectors

Please continue your selection below:

- [90° sweep ATNC jack - 29889](#)
- [90° sweep ATNC plug - 29888](#)
- [ATNC jack, bulkhead - 29887](#)
- [ATNC jack - 29883](#)
- [ATNC jack - 29883](#)
- [ATNC jack, flanged - 29883F](#)
- [ATNC plug - 29882](#)
- [ATNC plug - 29882](#)

Browse By Category

[Catalog Home](#)
[Microwave Cable Assemblies](#)
[Microwave Cable](#)
[Microwave Connectors](#)
[Contacts](#)

[Adaptors Between Series](#)
[Surge Protection Adaptors](#)
[Phase Shifters](#)
[Other Passive Components](#)

Tel: (732) 560-3800

Fax: (732) 560-9570

support@astrolab.com

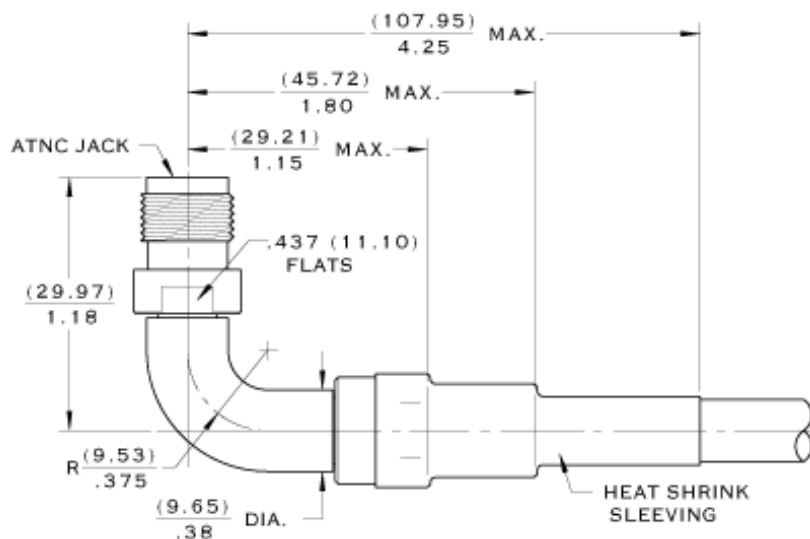
Search: in



90° sweep ATNC jack - 29889

[Catalog Home](#) -> [Microwave Connectors](#) -> [ATNC Interface](#) -> [Flexible Cable Connectors](#) -> 90° sweep ATNC jack - 29889

90° sweep ATNC jack 29889



- frequency 18.5 GHz max.
(Max. frequency can be limited by cable.)
- crimp ferrule

CABLE	PART NO.
RG-58C/U, 142/U, 142A/U, 223/U	29889-32-0
RG-174/U, 188/U, 316/U	29889-32-3
ASTROLAB 32019	29889-32-19
ASTROLAB 32022	29889-32-22
ASTROLAB 32027	29889-32-27
ASTROLAB 32029	29889-32-29
ASTROLAB 32039	29889-32-39
ASTROLAB 32048	29889-32-48
ASTROLAB 32050	29889-32-50
ASTROLAB 32051	29889-32-51
ASTROLAB 32055	29889-32-55
ASTROLAB 32081	29889-32-81
ASTROLAB 32084	29889-32-84
ASTROLAB 32086	29889-32-86
ASTROLAB 32094	29889-32-94

Select Part No.:

[Click here](#) to view your cart.

Browse By Category

[Catalog Home](#)
[Microwave Cable Assemblies](#)
[Microwave Cable](#)
[Microwave Connectors](#)
[Contacts](#)

[Adaptors Between Series](#)
[Surge Protection Adaptors](#)
[Phase Shifters](#)
[Other Passive Components](#)

Search:

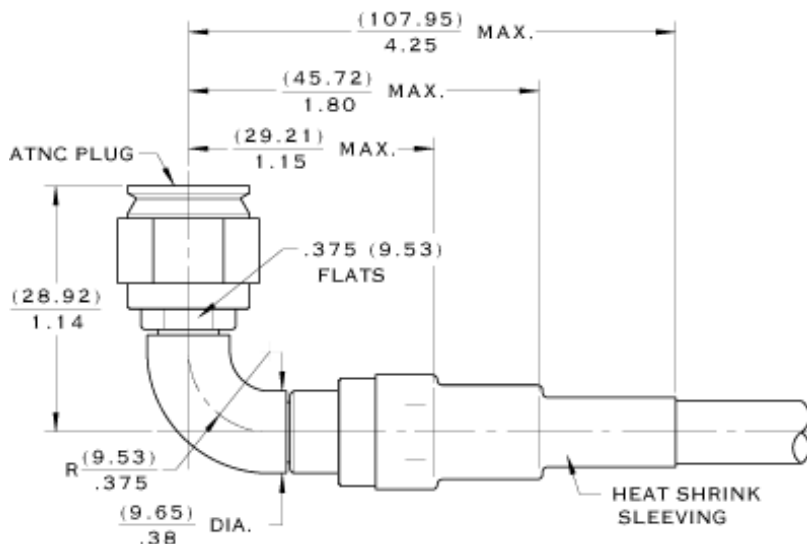
in



90° sweep ATNC plug - 29888

[Catalog Home](#) -> [Microwave Connectors](#) -> [ATNC Interface](#) -> [Flexible Cable Connectors](#) -> 90° sweep ATNC plug - 29888

90° sweep ATNC plug 29888



- frequency 18.5 GHz max.
(Max. frequency can be limited by cable.)
- crimp ferrule

CABLE	PART NO.
RG-58C/U, 142/U, 142A/U, 223/U	29888-32-0
RG-174/U, 188/U, 316/U	29888-32-3
ASTROLAB 32019	29888-32-19
ASTROLAB 32022	29888-32-22
ASTROLAB 32027	29888-32-27
ASTROLAB 32029	29888-32-29
ASTROLAB 32039	29888-32-39
ASTROLAB 32048	29888-32-48
ASTROLAB 32050	29888-32-50
ASTROLAB 32051	29888-32-51
ASTROLAB 32055	29888-32-55
ASTROLAB 32081	29888-32-81
ASTROLAB 32084	29888-32-84
ASTROLAB 32086	29888-32-86
ASTROLAB 32094	29888-32-94

Select Part No.:

[Click here](#) to view your cart.

Browse By Category

[Catalog Home](#)
[Microwave Cable Assemblies](#)
[Microwave Cable](#)
[Microwave Connectors](#)
[Contacts](#)

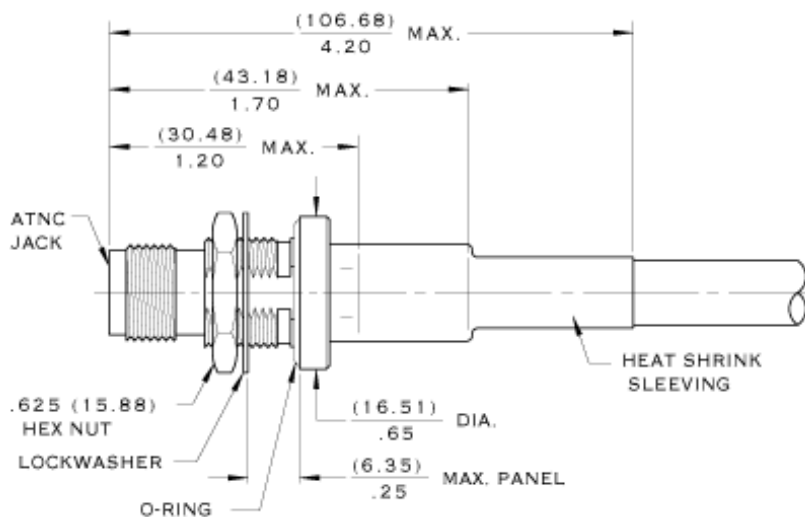
[Adaptors Between Series](#)
[Surge Protection Adaptors](#)
[Phase Shifters](#)
[Other Passive Components](#)

Search:

in


ATNC jack, bulkhead - 29887

[Catalog Home](#) -> [Microwave Connectors](#) -> [ATNC Interface](#) -> [Flexible Cable Connectors](#) -> ATNC jack, bulkhead - 29887

**ATNC jack, bulkhead
29887**


- frequency 18.5 GHz max.
(Max. frequency can be limited by cable.)
- crimp ferrule
- figure [PC5 panel cut out](#)

CABLE	PART NO.
RG-58C/U, 142/U, 142A/U, 223/U	29887-32-0
RG-174/U, 188/U, 316/U	29887-32-3
ASTROLAB 32004	29887-32-4
ASTROLAB 32019	29887-32-19
ASTROLAB 32022	29887-32-22
ASTROLAB 32024	29887-32-24
ASTROLAB 32025	29887-32-25
ASTROLAB 32027	29887-32-27
ASTROLAB 32029	29887-32-29
ASTROLAB 32039	29887-32-39
ASTROLAB 32048	29887-32-48
ASTROLAB 32050	29887-32-50
ASTROLAB 32051	29887-32-51
ASTROLAB 32055	29887-32-55
ASTROLAB 32081	29887-32-81
ASTROLAB 32084	29887-32-84
ASTROLAB 32086	29887-32-86
ASTROLAB 32094	29887-32-94

Select Part No.:

[Click here](#) to view your cart.

Browse By Category

[Catalog Home](#)

[Microwave Cable Assemblies](#)

[Microwave Cable](#)

[Microwave Connectors](#)

[Contacts](#)

[Adaptors Between Series](#)

[Surge Protection Adaptors](#)

[Phase Shifters](#)

[Other Passive Components](#)

Tel: (732) 560-3800

Fax: (732) 560-9570

support@astrolab.com

Search:

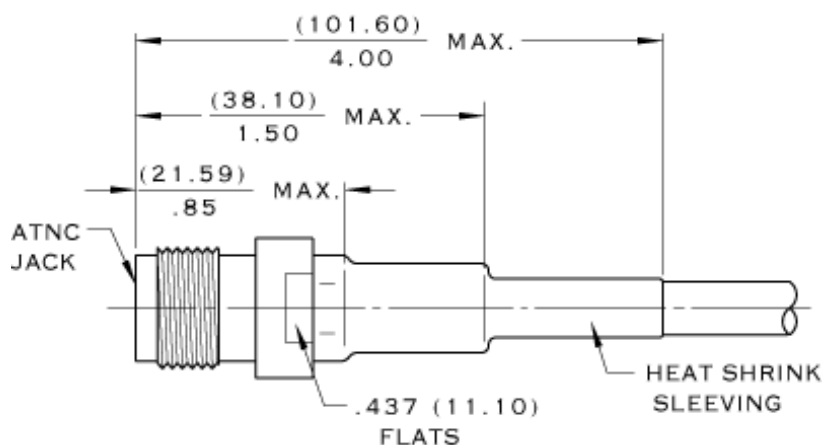
in



ATNC jack - 29883

[Catalog Home](#) -> [Microwave Connectors](#) -> [ATNC Interface](#) -> [Flexible Cable Connectors](#) -> ATNC jack - 29883

ATNC jack 29883



- frequency 18.5 GHz max.
(Max. frequency can be limited by cable.)
- crimp ferrule

CABLE	PART NO.
RG-58C/U, 142/U, 142A/U, 223/U	29883-32-0
RG-174/U, 188/U, 316/U	29883-32-3
ASTROLAB 32004	29883-32-4
ASTROLAB 32019	29883-32-19
ASTROLAB 32022	29883-32-22
ASTROLAB 32024	29883-32-24
ASTROLAB 32025	29883-32-25
ASTROLAB 32027	29883-32-27
ASTROLAB 32029	29883-32-29
ASTROLAB 32039	29883-32-39
ASTROLAB 32048	29883-32-48
ASTROLAB 32055	29883-32-55
ASTROLAB 32081	29883-32-81
ASTROLAB 32084	29883-32-84
ASTROLAB 32086	29883-32-86
ASTROLAB 32094	29883-32-94

Select Part No.:

[Click here](#) to view your cart.

Browse By Category

[Catalog Home](#)
[Microwave Cable Assemblies](#)
[Microwave Cable](#)
[Microwave Connectors](#)
[Contacts](#)

[Adaptors Between Series](#)
[Surge Protection Adaptors](#)
[Phase Shifters](#)
[Other Passive Components](#)

Search:

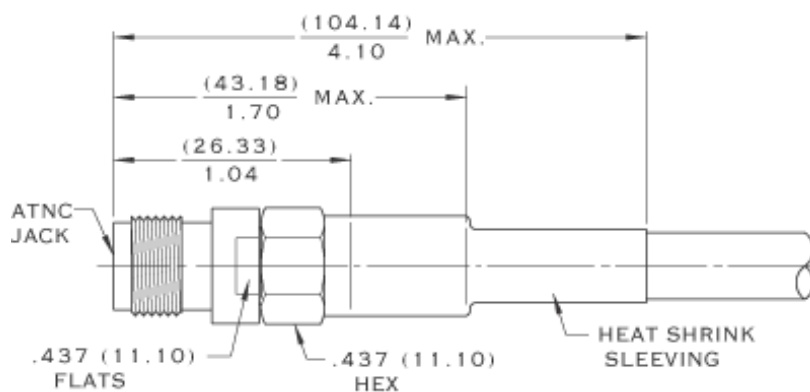
in



ATNC jack - 29883

[Catalog Home](#) -> [Microwave Connectors](#) -> [ATNC Interface](#) -> [Flexible Cable Connectors](#) -> ATNC jack - 29883

ATNC jack 29883



- frequency 18.5 GHz max.
(Max. frequency can be limited by cable.)
- crimp ferrule

CABLE	PART NO.
ASTROLAB 32050	29883-32-50
ASTROLAB 32051	29883-32-51

Select Part No.:

[Click here](#) to view your cart.

Browse By Category

[Catalog Home](#)
[Microwave Cable Assemblies](#)
[Microwave Cable](#)
[Microwave Connectors](#)
[Contacts](#)

[Adaptors Between Series](#)
[Surge Protection Adaptors](#)
[Phase Shifters](#)
[Other Passive Components](#)

Tel: (732) 560-3800

Fax: (732) 560-9570

support@astrolab.com

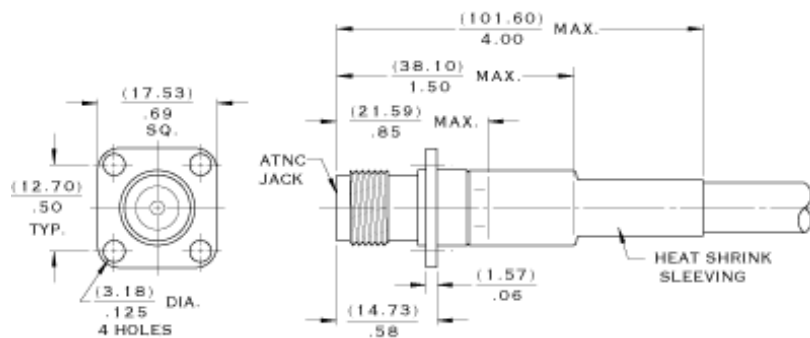
Search: in



ATNC jack, flanged - 29883F

[Catalog Home](#) -> [Microwave Connectors](#) -> [ATNC Interface](#) -> [Flexible Cable Connectors](#) -> ATNC jack, flanged - 29883F

ATNC jack, flanged 29883F



- frequency 18.5 GHz max.
(Max. frequency can be limited by cable.)
- crimp ferrule
- figure [T1 flange](#) detail

CABLE	PART NO.
RG-58C/U, 142/U, 142A/U, 223/U	29883F-32-0
RG-174/U, 188/U, 316/U	29883F-32-3
ASTROLAB 32004	29883F-32-4
ASTROLAB 32019	29883F-32-19
ASTROLAB 32022	29883F-32-22
ASTROLAB 32024	29883F-32-24
ASTROLAB 32025	29883F-32-25
ASTROLAB 32027	29883F-32-27
ASTROLAB 32029	29883F-32-29
ASTROLAB 32039	29883F-32-39
ASTROLAB 32048	29883F-32-48
ASTROLAB 32050	29883F-32-50
ASTROLAB 32051	29883F-32-51
ASTROLAB 32055	29883F-32-55
ASTROLAB 32081	29883F-32-81
ASTROLAB 32084	29883F-32-84
ASTROLAB 32086	29883F-32-86
ASTROLAB 32094	29883F-32-94

Select Part No.:

[Click here](#) to view your cart.

Browse By Category

[Catalog Home](#)

[Microwave Cable Assemblies](#)

[Microwave Cable](#)

[Microwave Connectors](#)

[Contacts](#)

[Adaptors Between Series](#)

[Surge Protection Adaptors](#)

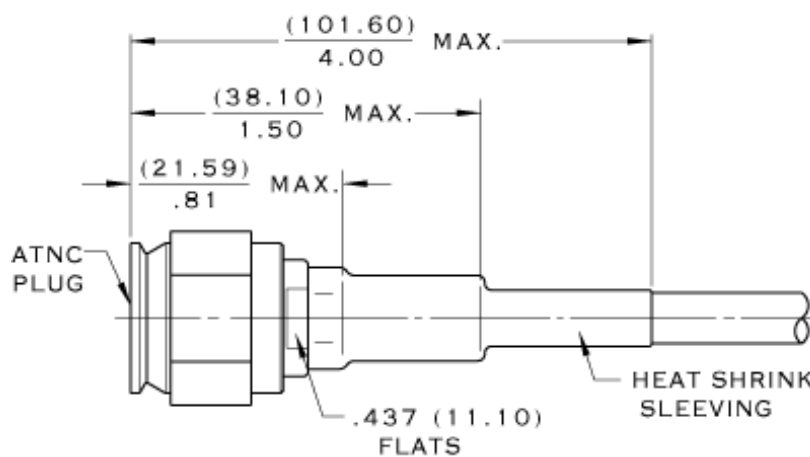
[Phase Shifters](#)

[Other Passive Components](#)

Search:

in


ATNC plug - 29882
[Catalog Home](#) -> [Microwave Connectors](#) -> [ATNC Interface](#) -> [Flexible Cable Connectors](#) -> ATNC plug - 29882

**ATNC plug
29882**


- frequency 18.5 GHz max.
(Max. frequency can be limited by cable.)
- crimp ferrule

CABLE	PART NO.
RG-58C/U, 142/U, 142A/U, 223/U	29882-32-0
RG-174/U, 188/U, 316/U	29882-32-3
ASTROLAB 32004	29882-32-4
ASTROLAB 32019	29882-32-19
ASTROLAB 32022	29882-32-22
ASTROLAB 32024	29882-32-24
ASTROLAB 32025	29882-32-25
ASTROLAB 32027	29882-32-27
ASTROLAB 32029	29882-32-29
ASTROLAB 32039	29882-32-39
ASTROLAB 32048	29882-32-48
ASTROLAB 32055	29882-32-55
ASTROLAB 32081	29882-32-81
ASTROLAB 32084	29882-32-84
ASTROLAB 32086	29882-32-86
ASTROLAB 32094	29882-32-94

Select Part No.:
[Click here](#) to view your cart.

Browse By Category
[Catalog Home](#)
[Microwave Cable Assemblies](#)
[Microwave Cable](#)
[Microwave Connectors](#)
[Contacts](#)
[Adaptors Between Series](#)
[Surge Protection Adaptors](#)
[Phase Shifters](#)
[Other Passive Components](#)

Search:

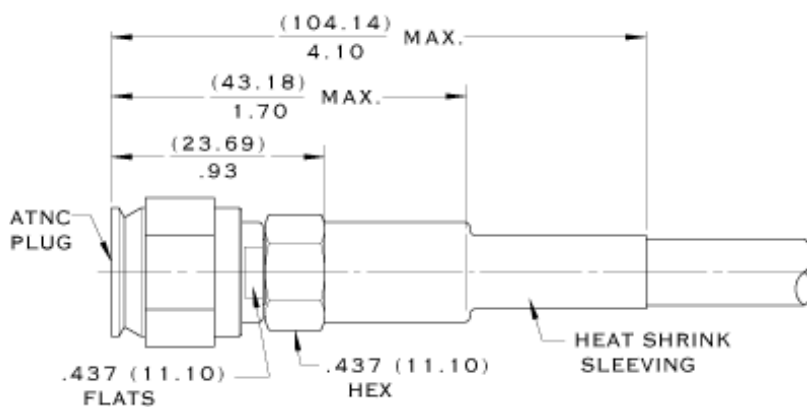
in



ATNC plug - 29882

[Catalog Home](#) -> [Microwave Connectors](#) -> [ATNC Interface](#) -> [Flexible Cable Connectors](#) -> ATNC plug - 29882

ATNC plug 29882



- frequency 18.5 GHz max.
(Max. frequency can be limited by cable.)
- crimp ferrule

CABLE	PART NO.
ASTROLAB 32050	29882-32-50
ASTROLAB 32051	29882-32-51

Select Part No.:

[Click here](#) to view your cart.

Browse By Category

[Catalog Home](#)
[Microwave Cable Assemblies](#)
[Microwave Cable](#)
[Microwave Connectors](#)
[Contacts](#)

[Adaptors Between Series](#)
[Surge Protection Adaptors](#)
[Phase Shifters](#)
[Other Passive Components](#)

Tel: (732) 560-3800

Fax: (732) 560-9570

support@astrolab.com

Search:

in