

Flexible Cable Connectors

[Catalog Home](#) -> [Microwave Connectors](#) -> [N Interface](#) -> Flexible Cable Connectors

Please continue your selection below:

- [90° sweep N jack - 29740](#)
- [90° sweep N jack - 29665](#)
- [90° sweep N plug - 29741](#)
- [90° sweep N plug - 29661](#)
- [90° sweep N jack, bulkhead - crimp ferrule - 29734](#)
- [90° sweep N jack, bulkhead - astro-uni-lock - 29734](#)
- [45° sweep N jack - 29786](#)
- [45° sweep N plug - 29785](#)
- [N jack, bulkhead - 29082](#)
- [N jack, bulkhead - 29082P](#)
- [N jack, bulkhead - 29082](#)
- [N jack, bulkhead - 29082P](#)
- [N jack, bulkhead - 29636](#)
- [N jack - 29081](#)
- [N jack - 29081P](#)
- [N jack - 29081](#)
- [N jack - 29081P](#)
- [N jack - 29601](#)
- [N jack, flanged - 29039](#)
- [N jack, flanged - 29039P](#)
- [N jack, flanged - 29601F](#)
- [N plug - 29080](#)
- [N plug - 29080](#)
- [N plug - 29602](#)
- [N plug, flanged - 29080F](#)
- [N plug, flanged - 29080F](#)
- [N cable connector - 29955](#)
- [N plug for replaceable interface - 29957-1](#)
- [N jack for replaceable interface - 29957-2](#)
- [right angle N plug - 29349](#)

Browse By Category

[Catalog Home](#)

[Microwave Cable Assemblies](#)

[Microwave Cable](#)

[Microwave Connectors](#)

[Contacts](#)

[Adaptors Between Series](#)

[Surge Protection Adaptors](#)

[Phase Shifters](#)

[Other Passive Components](#)

Tel: (732) 560-3800

Fax: (732) 560-9570

support@astrolab.com

Search:

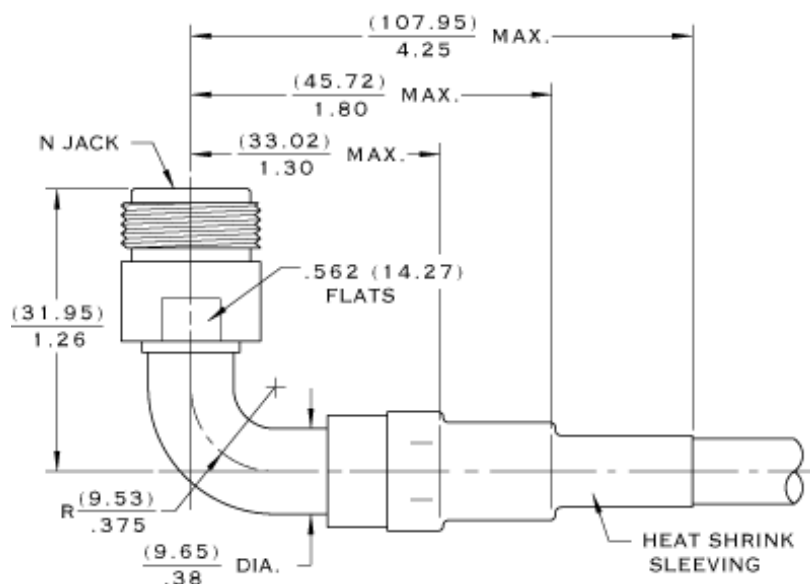
in



90° sweep N jack - 29740

[Catalog Home](#) -> [Microwave Connectors](#) -> [N Interface](#) -> [Flexible Cable Connectors](#) -> 90° sweep N jack - 29740

90° sweep N jack 29740



- frequency 18 GHz max.
(Max. frequency can be limited by cable.)
- crimp ferrule

CABLE	PART NO.
RG-58C/U, 142/U, 142A/U, 223/U	29740-32-0
RG-174/U, 188/U, 316/U	29740-32-3
ASTROLAB 32001	29740-32-1
ASTROLAB 32004	29740-32-4
ASTROLAB 32019	29740-32-19
ASTROLAB 32022	29740-32-22
ASTROLAB 32024	29740-32-24
ASTROLAB 32025	29740-32-25
ASTROLAB 32027	29740-32-27
ASTROLAB 32029	29740-32-29
ASTROLAB 32039	29740-32-39
ASTROLAB 32048	29740-32-48
ASTROLAB 32050	29740-32-50
ASTROLAB 32051	29740-32-51
ASTROLAB 32055	29740-32-55
ASTROLAB 32081	29740-32-81
ASTROLAB 32084	29740-32-84
ASTROLAB 32086	29740-32-86
ASTROLAB 32094	29740-32-94

Select Part No.:

[Click here](#) to view your cart.

Browse By Category

[Catalog Home](#)

[Microwave Cable Assemblies](#)

[Microwave Cable](#)

[Microwave Connectors](#)

[Contacts](#)

[Adaptors Between Series](#)

[Surge Protection Adaptors](#)

[Phase Shifters](#)

[Other Passive Components](#)

Tel: (732) 560-3800

Fax: (732) 560-9570

support@astrolab.com

Search:

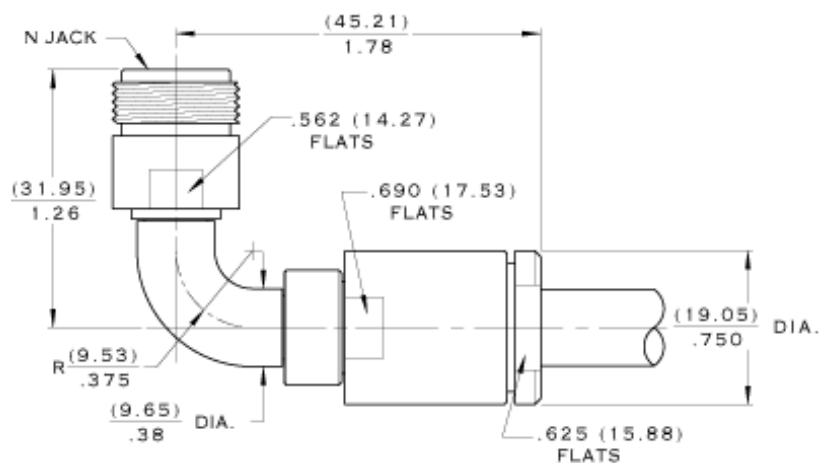
in



90° sweep N jack - 29665

[Catalog Home](#) -> [Microwave Connectors](#) -> [N Interface](#) -> [Flexible Cable Connectors](#) -> 90° sweep N jack - 29665

90° sweep N jack 29665



- frequency 10 GHz max.
(Max. frequency can be limited by cable.)
- astro-uni-lok

CABLE	PART NO.
ASTROLAB 32071	29665-32-71

Select Part No.:

[Click here](#) to view your cart.

Browse By Category

[Catalog Home](#)

[Microwave Cable Assemblies](#)

[Microwave Cable](#)

[Microwave Connectors](#)

[Contacts](#)

[Adaptors Between Series](#)

[Surge Protection Adaptors](#)

[Phase Shifters](#)

[Other Passive Components](#)

Tel: (732) 560-3800

Fax: (732) 560-9570

support@astrolab.com

Search:

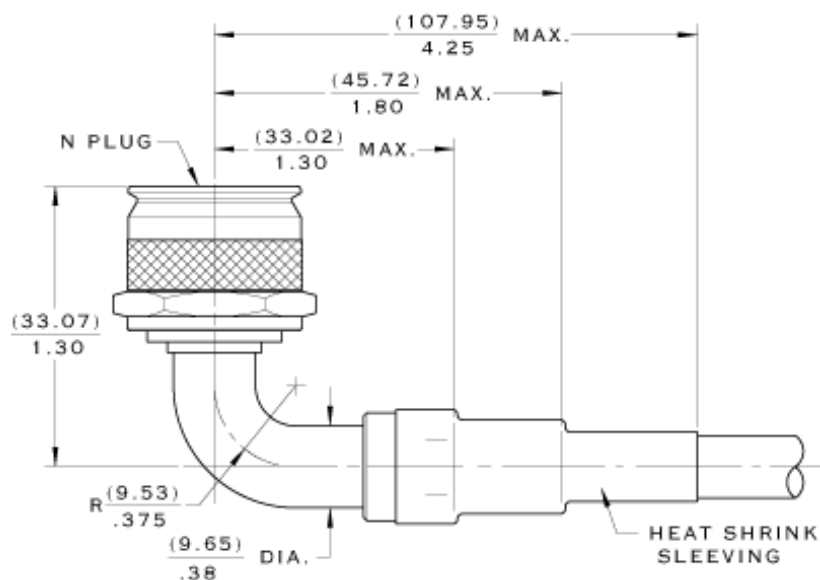
in



90° sweep N plug - 29741

[Catalog Home](#) -> [Microwave Connectors](#) -> [N Interface](#) -> [Flexible Cable Connectors](#) -> 90° sweep N plug - 29741

90° sweep N plug 29741



- frequency 18 GHz max.
(Max. frequency can be limited by cable.)
- crimp ferrule

CABLE	PART NO.
RG-58C/U, 142/U, 142A/U, 223/U	29741-32-0
RG-174/U, 188/U, 316/U	29741-32-3
ASTROLAB 32001	29741-32-1
ASTROLAB 32004	29741-32-4
ASTROLAB 32019	29741-32-19
ASTROLAB 32022	29741-32-22
ASTROLAB 32024	29741-32-24
ASTROLAB 32025	29741-32-25
ASTROLAB 32027	29741-32-27
ASTROLAB 32029	29741-32-29
ASTROLAB 32039	29741-32-39
ASTROLAB 32048	29741-32-48
ASTROLAB 32050	29741-32-50
ASTROLAB 32051	29741-32-51
ASTROLAB 32055	29741-32-55
ASTROLAB 32081	29741-32-81
ASTROLAB 32084	29741-32-84
ASTROLAB 32086	29741-32-86
ASTROLAB 32094	29741-32-94

Select Part No.:

[Click here](#) to view your cart.

Browse By Category

[Catalog Home](#)

[Microwave Cable Assemblies](#)

[Microwave Cable](#)

[Microwave Connectors](#)

[Contacts](#)

[Adaptors Between Series](#)

[Surge Protection Adaptors](#)

[Phase Shifters](#)

[Other Passive Components](#)

Tel: (732) 560-3800

Fax: (732) 560-9570

support@astrolab.com

Search:

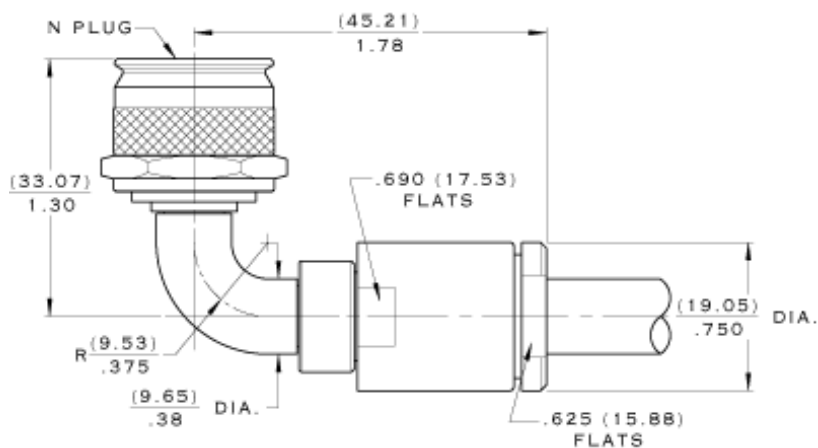
in



90° sweep N plug - 29661

[Catalog Home](#) -> [Microwave Connectors](#) -> [N Interface](#) -> [Flexible Cable Connectors](#) -> 90° sweep N plug - 29661

90° sweep N plug 29661



- frequency 10 GHz max.
(Max. frequency can be limited by cable.)
- astro-uni-lok

CABLE	PART NO.
ASTROLAB 32071	29661-32-71

Select Part No.:

[Click here](#) to view your cart.

Browse By Category

[Catalog Home](#)

[Microwave Cable Assemblies](#)

[Microwave Cable](#)

[Microwave Connectors](#)

[Contacts](#)

[Adaptors Between Series](#)

[Surge Protection Adaptors](#)

[Phase Shifters](#)

[Other Passive Components](#)

Tel: (732) 560-3800

Fax: (732) 560-9570

support@astrolab.com

Search:

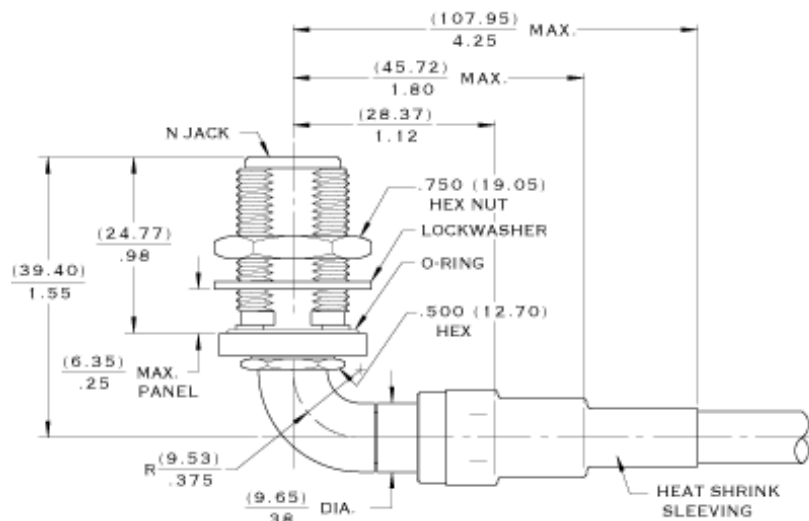
in



90° sweep N jack, bulkhead - crimp ferrule - 29734

[Catalog Home](#) -> [Microwave Connectors](#) -> [N Interface](#) -> [Flexible Cable Connectors](#) -> 90° sweep N jack, bulkhead - crimp ferrule - 29734

90° sweep N jack, bulkhead 29734



- frequency 18 GHz max.
(Max. frequency can be limited by cable.)
- crimp ferrule
- figure [PC6 panel cut out](#)

CABLE	PART NO.
RG-58C/U, 142/U, 142A/U, 223/U	29734-32-0
RG-174/U, 188/U, 316/U	29734-32-3
ASTROLAB 32004	29734-32-4
ASTROLAB 32019	29734-32-19
ASTROLAB 32022	29734-32-22
ASTROLAB 32024	29734-32-24
ASTROLAB 32025	29734-32-25
ASTROLAB 32027	29734-32-27
ASTROLAB 32029	29734-32-29
ASTROLAB 32039	29734-32-39
ASTROLAB 32048	29734-32-48
ASTROLAB 32050	29734-32-50
ASTROLAB 32051	29734-32-51
ASTROLAB 32055	29734-32-55
ASTROLAB 32081	29734-32-81
ASTROLAB 32084	29734-32-84
ASTROLAB 32086	29734-32-86
ASTROLAB 32094	29734-32-94

Select Part No.:

[Click here](#) to view your cart.

Browse By Category

[Catalog Home](#)

[Microwave Cable Assemblies](#)

[Microwave Cable](#)

[Microwave Connectors](#)

[Contacts](#)

[Adaptors Between Series](#)

[Surge Protection Adaptors](#)

[Phase Shifters](#)

[Other Passive Components](#)

Tel: (732) 560-3800

Fax: (732) 560-9570

support@astrolab.com

Search:

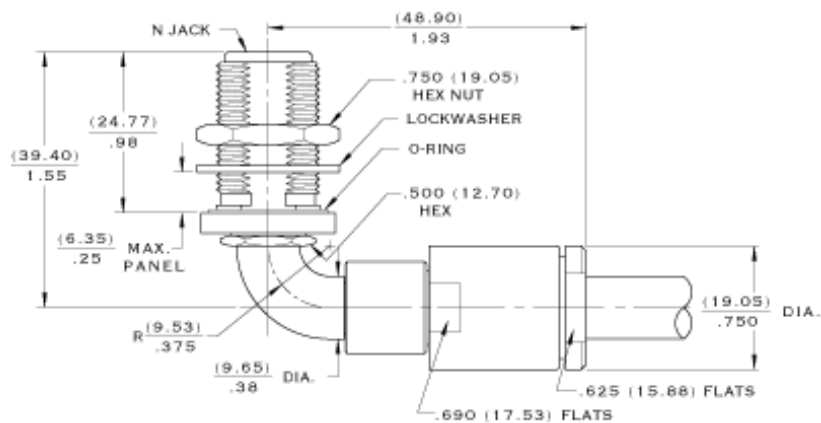
in



90° sweep N jack, bulkhead - astro-uni-lock - 29734

[Catalog Home](#) -> [Microwave Connectors](#) -> [N Interface](#) -> [Flexible Cable Connectors](#) -> 90° sweep N jack, bulkhead - astro-uni-lock - 29734

90° sweep N jack, bulkhead 29734



- frequency 10 GHz max.
(Max. frequency can be limited by cable.)
- crimp ferrule
- figure [PC6 panel cut out](#)
- astro-uni-lok

CABLE	PART NO.
ASTROLAB 32071	29734-32-71

Select Part No.:

[Click here](#) to view your cart.

Browse By Category

[Catalog Home](#)
[Microwave Cable Assemblies](#)
[Microwave Cable](#)
[Microwave Connectors](#)
[Contacts](#)

[Adaptors Between Series](#)
[Surge Protection Adaptors](#)
[Phase Shifters](#)
[Other Passive Components](#)

Tel: (732) 560-3800

Fax: (732) 560-9570

support@astrolab.com

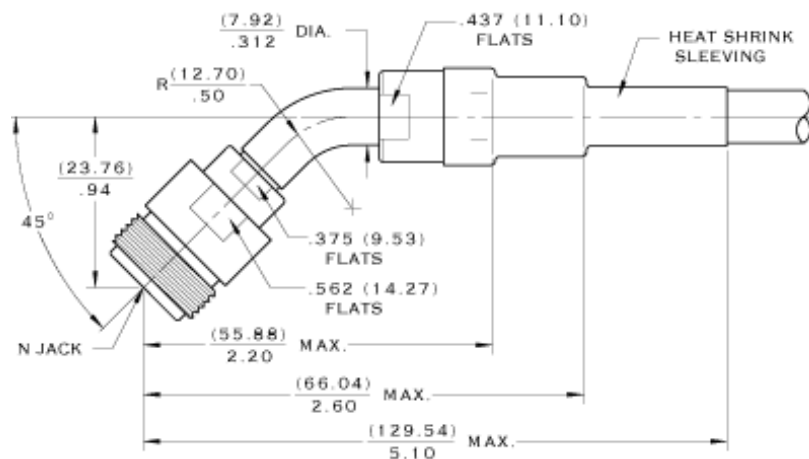
Search: in



45° sweep N jack - 29786

[Catalog Home](#) -> [Microwave Connectors](#) -> [N Interface](#) -> [Flexible Cable Connectors](#) -> 45° sweep N jack - 29786

45° sweep N jack 29786



- frequency 18 GHz max.
(Max. frequency can be limited by cable.)
- crimp ferrule

CABLE	PART NO.
ASTROLAB 32001	29786-32-1
ASTROLAB 32004	29786-32-4
ASTROLAB 32019	29786-32-19
ASTROLAB 32022	29786-32-22
ASTROLAB 32024	29786-32-24
ASTROLAB 32025	29786-32-25
ASTROLAB 32027	29786-32-27
ASTROLAB 32029	29786-32-29
ASTROLAB 32039	29786-32-39
ASTROLAB 32048	29786-32-48
ASTROLAB 32050	29786-32-50
ASTROLAB 32051	29786-32-51
ASTROLAB 32055	29786-32-55
ASTROLAB 32081	29786-32-81
ASTROLAB 32084	29786-32-84
ASTROLAB 32086	29786-32-86
ASTROLAB 32094	29786-32-94

Select Part No.:

[Click here](#) to view your cart.

Browse By Category

[Catalog Home](#)
[Microwave Cable Assemblies](#)
[Microwave Cable](#)
[Microwave Connectors](#)
[Contacts](#)

[Adaptors Between Series](#)
[Surge Protection Adaptors](#)
[Phase Shifters](#)
[Other Passive Components](#)

Search:

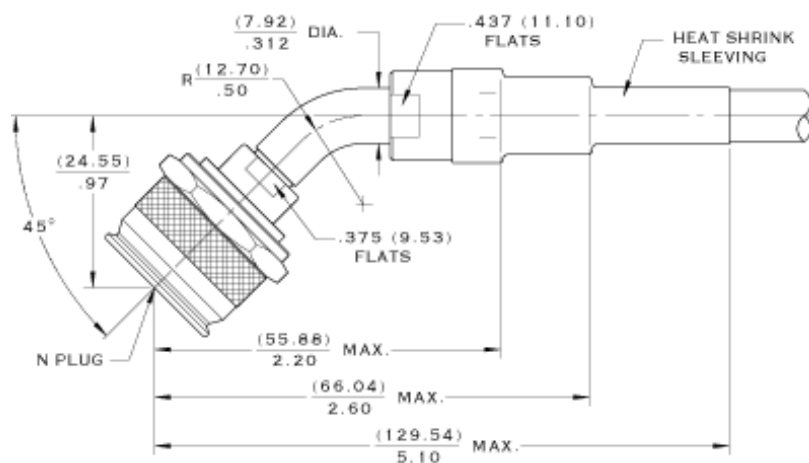
in



45° sweep N plug - 29785

[Catalog Home](#) -> [Microwave Connectors](#) -> [N Interface](#) -> [Flexible Cable Connectors](#) -> 45° sweep N plug - 29785

45° sweep N plug 29785



- frequency 18 GHz max.
(Max. frequency can be limited by cable.)
- crimp ferrule

CABLE	PART NO.
ASTROLAB 32001	29785-32-1
ASTROLAB 32004	29785-32-4
ASTROLAB 32019	29785-32-19
ASTROLAB 32022	29785-32-22
ASTROLAB 32024	29785-32-24
ASTROLAB 32025	29785-32-25
ASTROLAB 32027	29785-32-27
ASTROLAB 32029	29785-32-29
ASTROLAB 32039	29785-32-39
ASTROLAB 32048	29785-32-48
ASTROLAB 32050	29785-32-50
ASTROLAB 32051	29785-32-51
ASTROLAB 32055	29785-32-55
ASTROLAB 32081	29785-32-81
ASTROLAB 32084	29785-32-84
ASTROLAB 32086	29785-32-86
ASTROLAB 32094	29785-32-94

Select Part No.:

[Click here](#) to view your cart.

Browse By Category

[Catalog Home](#)
[Microwave Cable Assemblies](#)
[Microwave Cable](#)
[Microwave Connectors](#)
[Contacts](#)

[Adaptors Between Series](#)
[Surge Protection Adaptors](#)
[Phase Shifters](#)
[Other Passive Components](#)

Search:

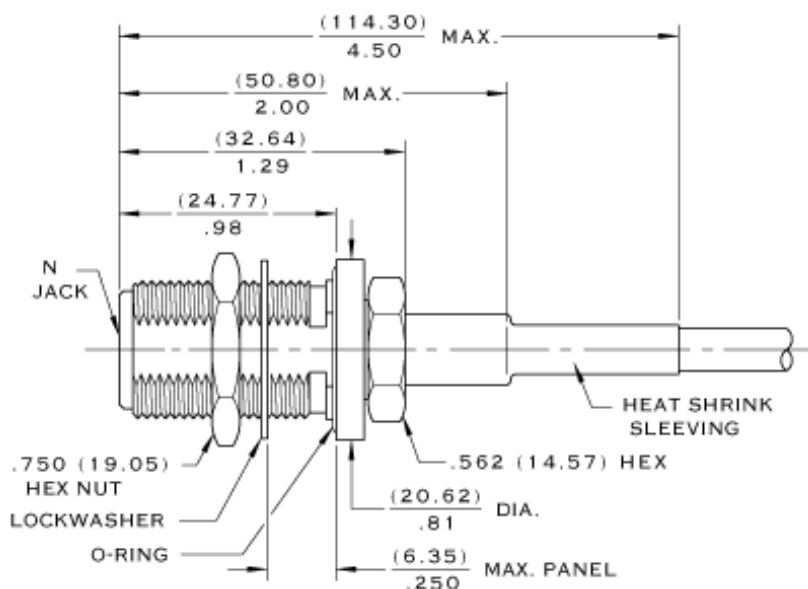
in



N jack, bulkhead - 29082

[Catalog Home](#) -> [Microwave Connectors](#) -> [N Interface](#) -> [Flexible Cable Connectors](#) -> N jack, bulkhead - 29082

N jack, bulkhead 29082



- frequency 12.4 GHz max.
(Max. frequency can be limited by cable.)
- crimp ferrule
- figure [PC6 panel cut out](#)

CABLE	PART NO.
RG-58C/U, 142/U, 142A/U, 223/U	29082-32-0
RG-174/U, 188/U, 316/U	29082-32-3
ASTROLAB 32001	29082-32-1
ASTROLAB 32004	29082-32-4
ASTROLAB 32022	29082-32-22
ASTROLAB 32024	29082-32-24
ASTROLAB 32025	29082-32-25
ASTROLAB 32027	29082-32-27
ASTROLAB 32029	29082-32-29
ASTROLAB 32081	29082-32-81
ASTROLAB 32084	29082-32-84
ASTROLAB 32086	29082-32-86
ASTROLAB 32098	29082-32-98

Select Part No.:

[Click here](#) to view your cart.

Browse By Category

[Catalog Home](#)

[Microwave Cable Assemblies](#)

[Microwave Cable](#)

[Microwave Connectors](#)

[Contacts](#)

[Adaptors Between Series](#)

[Surge Protection Adaptors](#)

[Phase Shifters](#)

[Other Passive Components](#)

Tel: (732) 560-3800

Fax: (732) 560-9570

support@astrolab.com

Search:

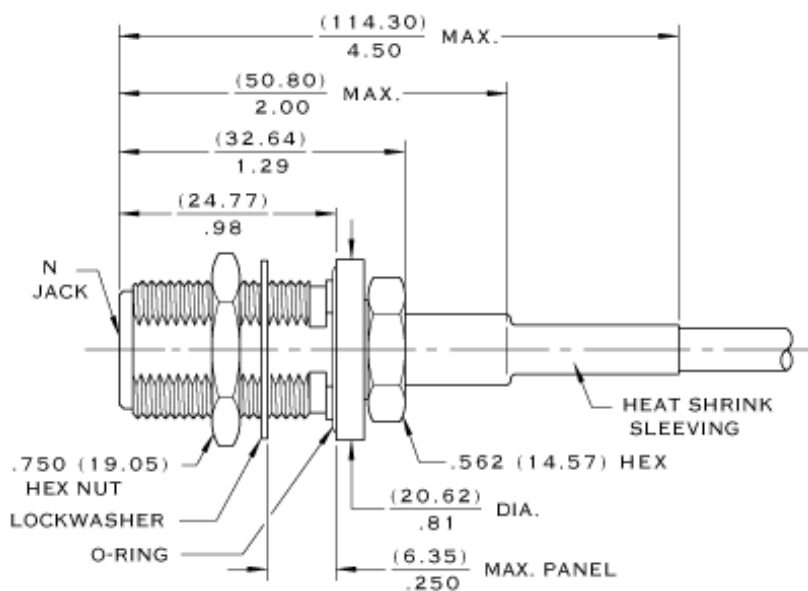
in



N jack, bulkhead - 29082P

[Catalog Home](#) -> [Microwave Connectors](#) -> [N Interface](#) -> [Flexible Cable Connectors](#) -> N jack, bulkhead - 29082P

N jack, bulkhead 29082P



- frequency 18 GHz max.
(Max. frequency can be limited by cable.)
- crimp ferrule
- figure [PC6 panel cut out](#)

CABLE	PART NO.
RG-58C/U, 142/U, 142A/U, 223/U	29082P-32-0
RG-174/U, 188/U, 316/U	29082P-32-3
ASTROLAB 32001	29082P-32-1
ASTROLAB 32004	29082P-32-4
ASTROLAB 32022	29082P-32-22
ASTROLAB 32024	29082P-32-24
ASTROLAB 32025	29082P-32-25
ASTROLAB 32027	29082P-32-27
ASTROLAB 32029	29082P-32-29
ASTROLAB 32081	29082P-32-81
ASTROLAB 32084	29082P-32-84
ASTROLAB 32086	29082P-32-86
ASTROLAB 32098	29082P-32-98

Select Part No.:

[Click here](#) to view your cart.

Browse By Category

[Catalog Home](#)

[Microwave Cable Assemblies](#)

[Microwave Cable](#)

[Microwave Connectors](#)

[Contacts](#)

[Adaptors Between Series](#)

[Surge Protection Adaptors](#)

[Phase Shifters](#)

[Other Passive Components](#)

Tel: (732) 560-3800

Fax: (732) 560-9570

support@astrolab.com

Search:

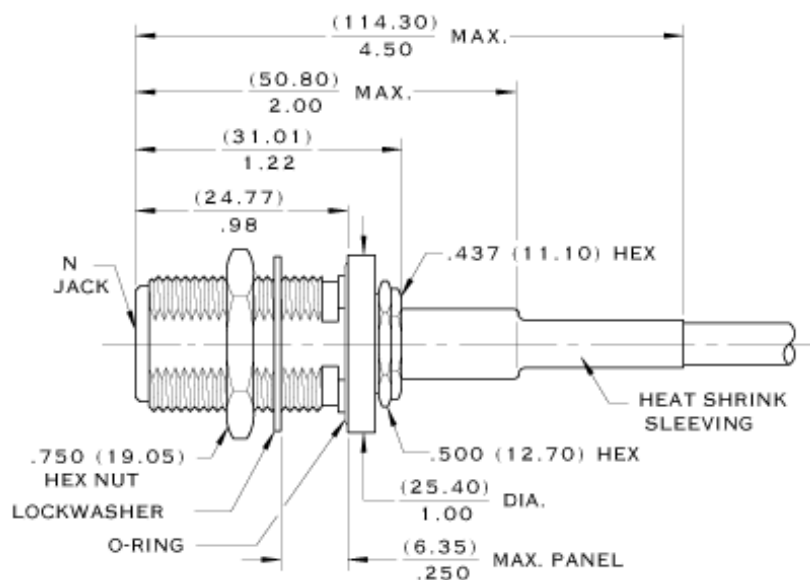
in



N jack, bulkhead - 29082

[Catalog Home](#) -> [Microwave Connectors](#) -> [N Interface](#) -> [Flexible Cable Connectors](#) -> N jack, bulkhead - 29082

N jack, bulkhead 29082



- frequency 12.4 GHz max.
(Max. frequency can be limited by cable.)
- crimp ferrule
- figure [PC6 panel cut out](#)

CABLE	PART NO.
ASTROLAB 32019	29082-32-19
ASTROLAB 32039	29082-32-39
ASTROLAB 32048	29082-32-48
ASTROLAB 32050	29082-32-50
ASTROLAB 32051	29082-32-51
ASTROLAB 32055	29082-32-55
ASTROLAB 32094	29082-32-94

Select Part No.:

[Click here](#) to view your cart.

Browse By Category

[Catalog Home](#)
[Microwave Cable Assemblies](#)
[Microwave Cable](#)
[Microwave Connectors](#)
[Contacts](#)

[Adaptors Between Series](#)
[Surge Protection Adaptors](#)
[Phase Shifters](#)
[Other Passive Components](#)

Tel: (732) 560-3800

Fax: (732) 560-9570

support@astrolab.com

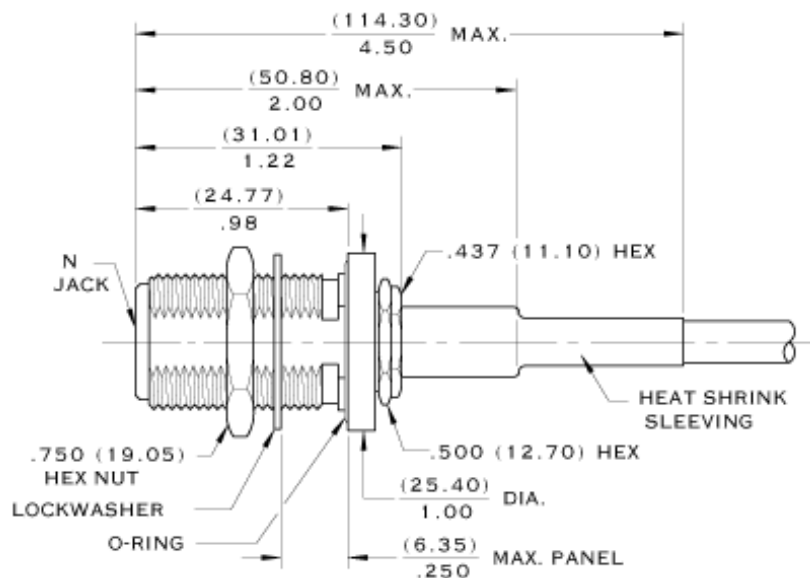
Search: in



N jack, bulkhead - 29082P

[Catalog Home](#) -> [Microwave Connectors](#) -> [N Interface](#) -> [Flexible Cable Connectors](#) -> N jack, bulkhead - 29082P

N jack, bulkhead 29082P



- frequency 18 GHz max.
(Max. frequency can be limited by cable.)
- crimp ferrule
- figure [PC6 panel cut out](#)

CABLE	PART NO.
ASTROLAB 32019	29082P-32-19
ASTROLAB 32039	29082P-32-39
ASTROLAB 32048	29082P-32-48
ASTROLAB 32050	29082P-32-50
ASTROLAB 32051	29082P-32-51
ASTROLAB 32055	29082P-32-55
ASTROLAB 32094	29082P-32-94

Select Part No.:

[Click here](#) to view your cart.

Browse By Category

[Catalog Home](#)
[Microwave Cable Assemblies](#)
[Microwave Cable](#)
[Microwave Connectors](#)
[Contacts](#)

[Adaptors Between Series](#)
[Surge Protection Adaptors](#)
[Phase Shifters](#)
[Other Passive Components](#)

Tel: (732) 560-3800

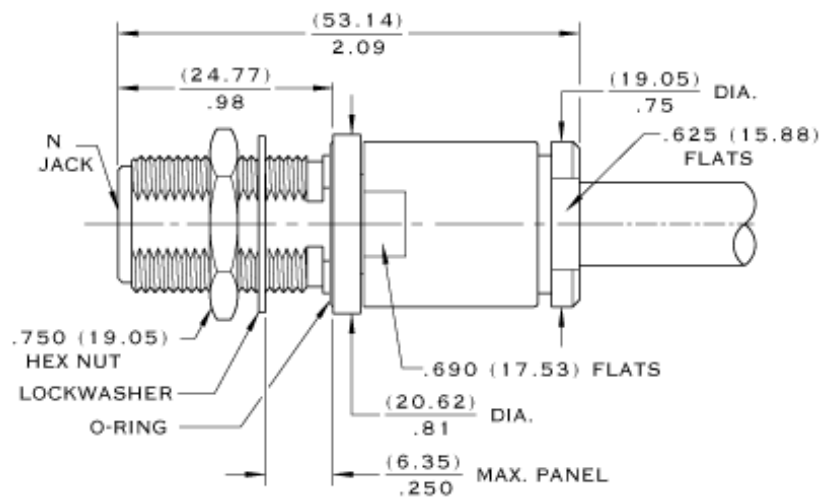
Fax: (732) 560-9570

support@astrolab.com

Search: in


N jack, bulkhead - 29636

[Catalog Home](#) -> [Microwave Connectors](#) -> [N Interface](#) -> [Flexible Cable Connectors](#) -> N jack, bulkhead - 29636

**N jack, bulkhead
29636**


- frequency 10 GHz max.
(Max. frequency can be limited by cable.)
- figure [PC6 panel cut out](#)
- astro-uni-lok

CABLE	PART NO.
ASTROLAB 32071	29636-32-71

Select Part No.:

[Click here](#) to view your cart.

Browse By Category

[Catalog Home](#)

[Microwave Cable Assemblies](#)

[Microwave Cable](#)

[Microwave Connectors](#)

[Contacts](#)

[Adaptors Between Series](#)

[Surge Protection Adaptors](#)

[Phase Shifters](#)

[Other Passive Components](#)

Tel: (732) 560-3800

Fax: (732) 560-9570

support@astrolab.com

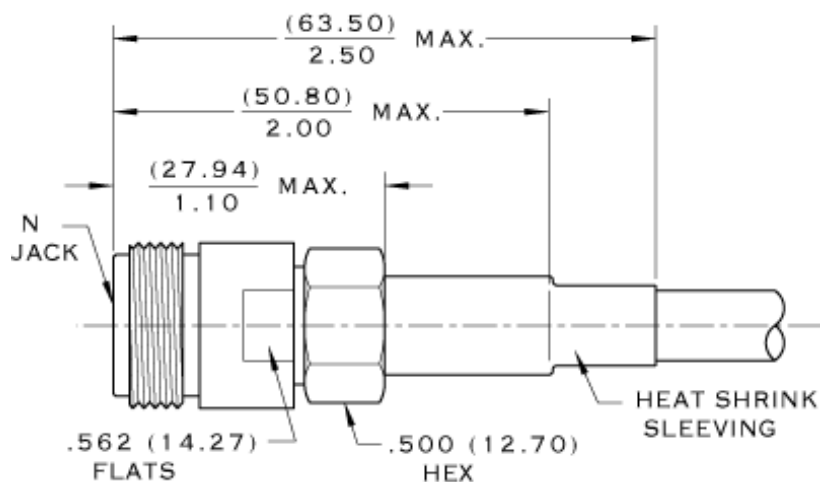
Search: in



N jack - 29081

[Catalog Home](#) -> [Microwave Connectors](#) -> [N Interface](#) -> [Flexible Cable Connectors](#) -> N jack - 29081

N jack 29081



- frequency 12.4 GHz max.
(Max. frequency can be limited by cable.)
- crimp ferrule

CABLE	PART NO.
RG-58C/U, 142/U, 142A/U, 223/U	29081-32-0
RG-174/U, 188/U, 316/U	29081-32-3
RG-178/U, 196/U,	29081-RG178
RG-179A/U, 187/U	29081-RG179
RG-180/U, 195/U,	29081-RG180
R316	29081-32-D316
ASTROLAB 32001	29081-32-1
ASTROLAB 32004	29081-32-4
ASTROLAB 32022	29081-32-22
ASTROLAB 32024	29081-32-24
ASTROLAB 32025	29081-32-25
ASTROLAB 32027	29081-32-27
ASTROLAB 32029	29081-32-29
ASTROLAB 32081	29081-32-81
ASTROLAB 32084	29081-32-84
ASTROLAB 32086	29081-32-86
ASTROLAB 32098	29081-32-98

Select Part No.:

[Click here](#) to view your cart.

Browse By Category

[Catalog Home](#)
[Microwave Cable Assemblies](#)
[Microwave Cable](#)
[Microwave Connectors](#)
[Contacts](#)

[Adaptors Between Series](#)
[Surge Protection Adaptors](#)
[Phase Shifters](#)
[Other Passive Components](#)

Search:

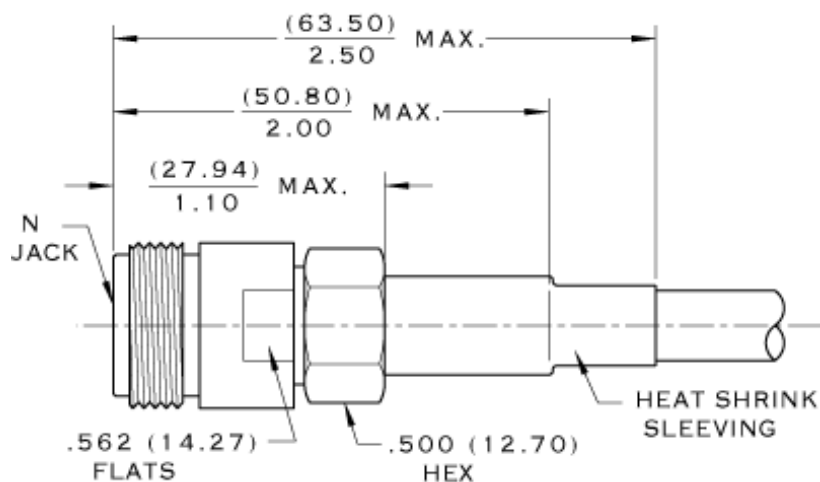
in



N jack - 29081P

[Catalog Home](#) -> [Microwave Connectors](#) -> [N Interface](#) -> [Flexible Cable Connectors](#) -> N jack - 29081P

N jack 29081P



- frequency 18 GHz max.
(Max. frequency can be limited by cable.)
- crimp ferrule

CABLE	PART NO.
RG-58C/U, 142/U, 142A/U, 223/U	29081P-32-0
RG-174/U, 188/U, 316/U	29081P-32-3
RG-178/U, 196/U,	29081P-RG178
RG-179A/U, 187/U	29081P-RG179
RG-180/U, 195/U,	29081P-RG180
RD316	29081P-32-D316
ASTROLAB 32001	29081P-32-1
ASTROLAB 32004	29081P-32-4
ASTROLAB 32022	29081P-32-22
ASTROLAB 32024	29081P-32-24
ASTROLAB 32025	29081P-32-25
ASTROLAB 32027	29081P-32-27
ASTROLAB 32029	29081P-32-29
ASTROLAB 32081	29081P-32-81
ASTROLAB 32084	29081P-32-84
ASTROLAB 32086	29081P-32-86
ASTROLAB 32098	29081P-32-98

Select Part No.:

[Click here](#) to view your cart.

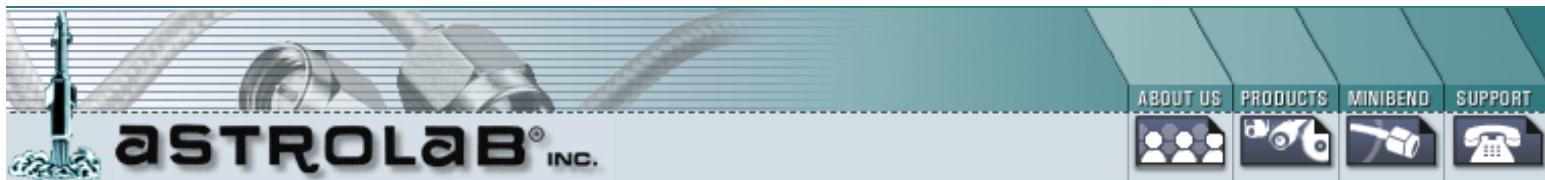
Browse By Category

[Catalog Home](#)
[Microwave Cable Assemblies](#)
[Microwave Cable](#)
[Microwave Connectors](#)
[Contacts](#)

[Adaptors Between Series](#)
[Surge Protection Adaptors](#)
[Phase Shifters](#)
[Other Passive Components](#)

Search:

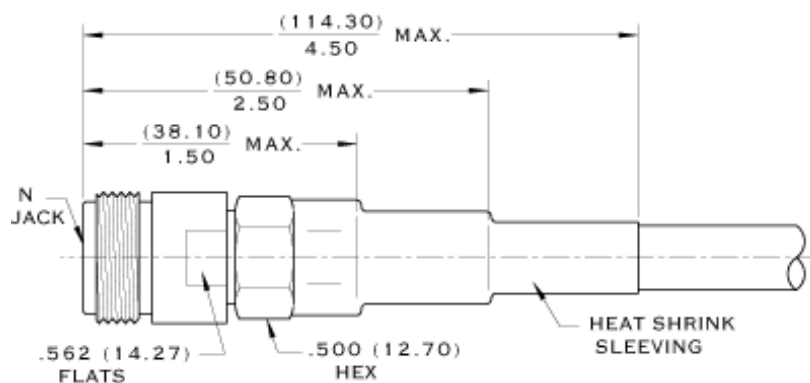
in



N jack - 29081

[Catalog Home](#) -> [Microwave Connectors](#) -> [N Interface](#) -> [Flexible Cable Connectors](#) -> N jack - 29081

N jack 29081



- frequency 12.4 GHz max.
(Max. frequency can be limited by cable.)
- crimp ferrule

CABLE	PART NO.
ASTROLAB 32019	29081-32-19
ASTROLAB 32036	29081-32-36
ASTROLAB 32039	29081-32-39
ASTROLAB 32048	29081-32-48
ASTROLAB 32050	29081-32-50
ASTROLAB 32051	29081-32-51
ASTROLAB 32055	29081-32-55
ASTROLAB 32094	29081-32-94

Select Part No.:

[Click here](#) to view your cart.

Browse By Category

[Catalog Home](#)
[Microwave Cable Assemblies](#)
[Microwave Cable](#)
[Microwave Connectors](#)
[Contacts](#)

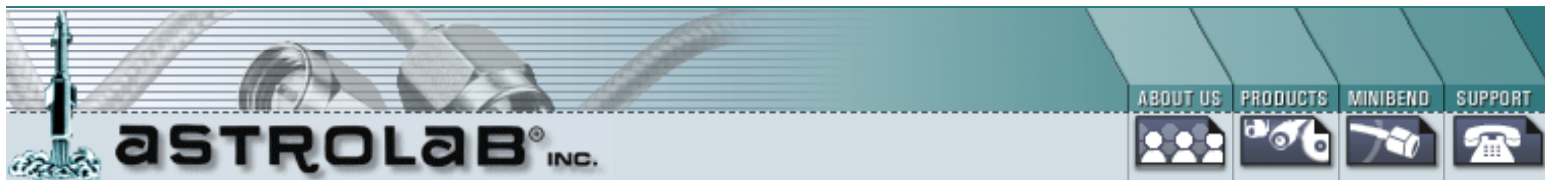
[Adaptors Between Series](#)
[Surge Protection Adaptors](#)
[Phase Shifters](#)
[Other Passive Components](#)

Tel: (732) 560-3800

Fax: (732) 560-9570

support@astrolab.com

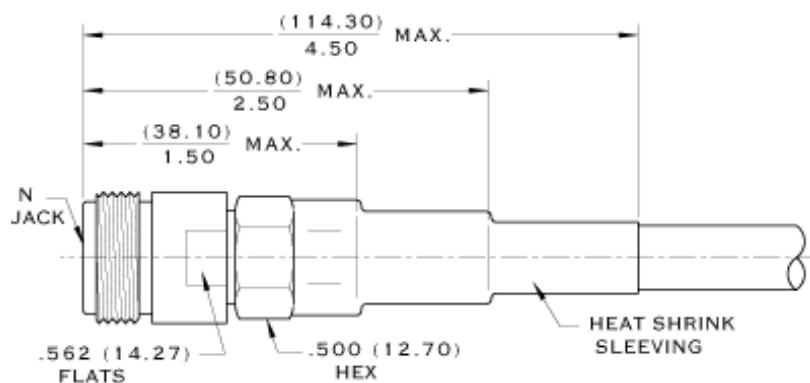
Search: in



N jack - 29081P

[Catalog Home](#) -> [Microwave Connectors](#) -> [N Interface](#) -> [Flexible Cable Connectors](#) -> N jack - 29081P

N jack 29081P



- frequency 18 GHz max.
(Max. frequency can be limited by cable.)
- crimp ferrule

CABLE	PART NO.
ASTROLAB 32019	29081P-32-19
ASTROLAB 32036	29081P-32-36
ASTROLAB 32039	29081P-32-39
ASTROLAB 32048	29081P-32-48
ASTROLAB 32050	29081P-32-50
ASTROLAB 32051	29081P-32-51
ASTROLAB 32055	29081P-32-55
ASTROLAB 32094	29081P-32-94

Select Part No.:

[Click here](#) to view your cart.

Browse By Category

[Catalog Home](#)
[Microwave Cable Assemblies](#)
[Microwave Cable](#)
[Microwave Connectors](#)
[Contacts](#)

[Adaptors Between Series](#)
[Surge Protection Adaptors](#)
[Phase Shifters](#)
[Other Passive Components](#)

Tel: (732) 560-3800

Fax: (732) 560-9570

support@astrolab.com

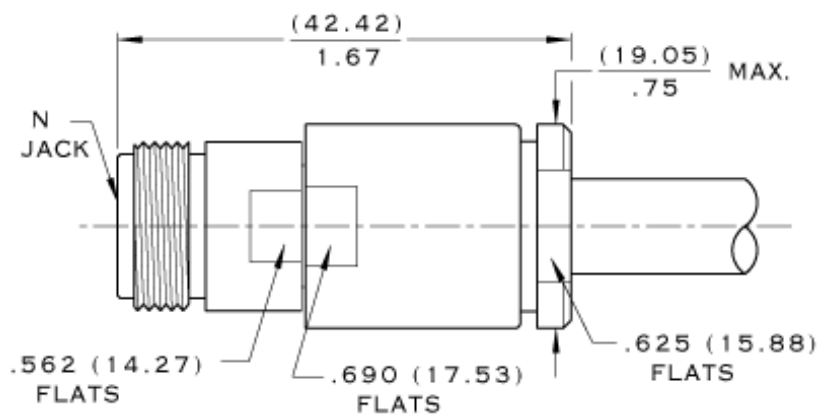
Search: in



N jack - 29601

[Catalog Home](#) -> [Microwave Connectors](#) -> [N Interface](#) -> [Flexible Cable Connectors](#) -> N jack - 29601

N jack 29601



- frequency 10GHz max.
(Max. frequency can be limited by cable.)
- astro-uni-lok

CABLE	PART NO.
ASTROLAB 32071	29601-32-71

Select Part No.:

[Click here](#) to view your cart.

Browse By Category

[Catalog Home](#)
[Microwave Cable Assemblies](#)
[Microwave Cable](#)
[Microwave Connectors](#)
[Contacts](#)

[Adaptors Between Series](#)
[Surge Protection Adaptors](#)
[Phase Shifters](#)
[Other Passive Components](#)

Tel: (732) 560-3800

Fax: (732) 560-9570

support@astrolab.com

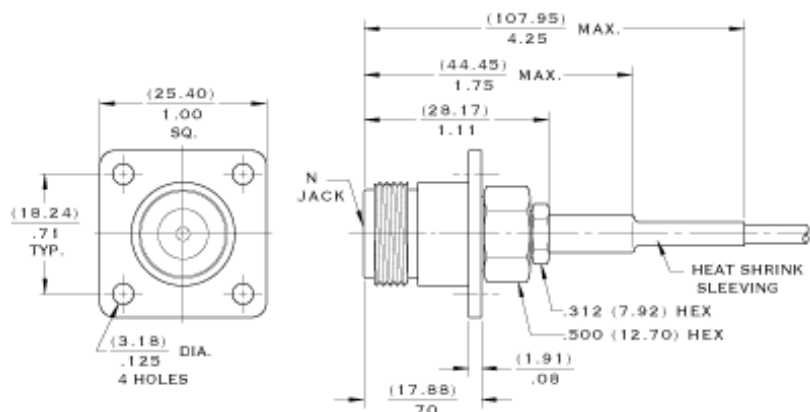
Search: in



N jack, flanged - 29039

[Catalog Home](#) -> [Microwave Connectors](#) -> [N Interface](#) -> [Flexible Cable Connectors](#) -> N jack, flanged - 29039

N jack, flanged 29039



- frequency 12.4 GHz max.
(Max. frequency can be limited by cable.)
- crimp ferrule
- figure [N2 flange](#) detail

CABLE	PART NO.
RG-58C/U, 142/U, 142A/U, 223/U	29039-32-0
RG-174/U, 188/U, 316/U	29039-32-3
ASTROLAB 32001	29039-32-1
ASTROLAB 32004	29039-32-4
ASTROLAB 32019	29039-32-19
ASTROLAB 32022	29039-32-22
ASTROLAB 32024	29039-32-24
ASTROLAB 32025	29039-32-25
ASTROLAB 32027	29039-32-27
ASTROLAB 32029	29039-32-29
ASTROLAB 32039	29039-32-39
ASTROLAB 32048	29039-32-48
ASTROLAB 32050	29039-32-50
ASTROLAB 32051	29039-32-51
ASTROLAB 32055	29039-32-55
ASTROLAB 32081	29039-32-81
ASTROLAB 32084	29039-32-84
ASTROLAB 32086	29039-32-86
ASTROLAB 32098	29039-32-98

Select Part No.:

[Click here](#) to view your cart.

Browse By Category

[Catalog Home](#)
[Microwave Cable Assemblies](#)
[Microwave Cable](#)
[Microwave Connectors](#)
[Contacts](#)

[Adaptors Between Series](#)
[Surge Protection Adaptors](#)
[Phase Shifters](#)
[Other Passive Components](#)

Search:

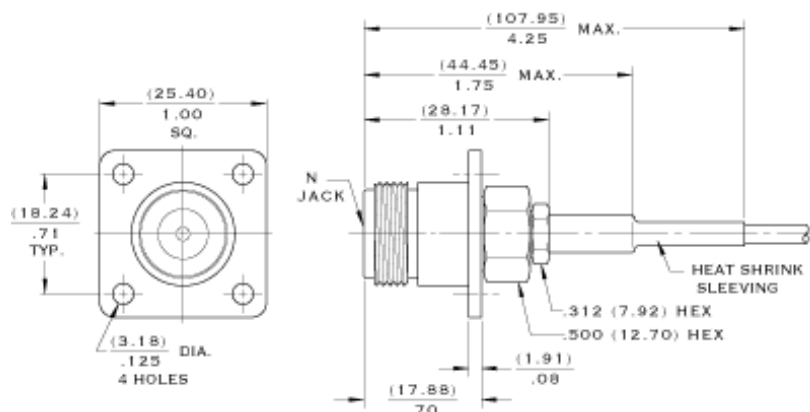
in



N jack, flanged - 29039P

[Catalog Home](#) -> [Microwave Connectors](#) -> [N Interface](#) -> [Flexible Cable Connectors](#) -> N jack, flanged - 29039P

N jack, flanged 29039P



- frequency 18 GHz max.
(Max. frequency can be limited by cable.)
- crimp ferrule
- figure [N2 flange](#) detail

CABLE	PART NO.
RG-58C/U, 142/U, 142A/U, 223/U	29039P-32-0
RG-174/U, 188/U, 316/U	229039P-32-3
ASTROLAB 32001	29039P-32-1
ASTROLAB 32004	29039P-32-4
ASTROLAB 32019	29039P-32-19
ASTROLAB 32022	29039P-32-22
ASTROLAB 32024	29039P-32-24
ASTROLAB 32025	29039P-32-25
ASTROLAB 32027	29039P-32-27
ASTROLAB 32029	29039P-32-29
ASTROLAB 32039	29039P-32-39
ASTROLAB 32048	29039P-32-48
ASTROLAB 32050	29039P-32-50
ASTROLAB 32051	29039P-32-51
ASTROLAB 32055	29039P-32-55
ASTROLAB 32081	29039P-32-81
ASTROLAB 32084	29039P-32-84
ASTROLAB 32086	29039P-32-86
ASTROLAB 32098	29039P-32-98

Select Part No.:

[Click here](#) to view your cart.

Browse By Category

[Catalog Home](#)
[Microwave Cable Assemblies](#)
[Microwave Cable](#)
[Microwave Connectors](#)
[Contacts](#)

[Adaptors Between Series](#)
[Surge Protection Adaptors](#)
[Phase Shifters](#)
[Other Passive Components](#)

Search:

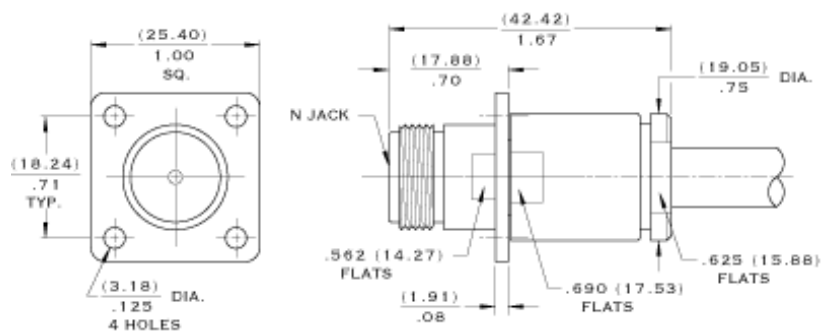
in



N jack, flanged - 29601F

[Catalog Home](#) -> [Microwave Connectors](#) -> [N Interface](#) -> [Flexible Cable Connectors](#) -> N jack, flanged - 29601F

N jack, flanged 29601F



- frequency 10GHz max.
(Max. frequency can be limited by cable.)
- figure [N2 flange](#) detail
- astro-uni-lok

CABLE	PART NO.
ASTROLAB 32071	29601F-32-71

Select Part No.:

[Click here](#) to view your cart.

Browse By Category

[Catalog Home](#)
[Microwave Cable Assemblies](#)
[Microwave Cable](#)
[Microwave Connectors](#)
[Contacts](#)

[Adaptors Between Series](#)
[Surge Protection Adaptors](#)
[Phase Shifters](#)
[Other Passive Components](#)

Tel: (732) 560-3800

Fax: (732) 560-9570

support@astrolab.com

Search:

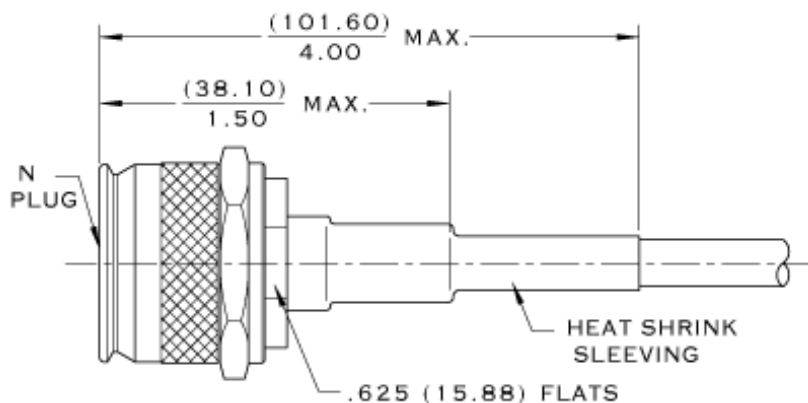
in



N plug - 29080

[Catalog Home](#) -> [Microwave Connectors](#) -> [N Interface](#) -> [Flexible Cable Connectors](#) -> N plug - 29080

N plug 29080



- frequency 18 GHz max.
(Max. frequency can be limited by cable.)
- crimp ferrule

CABLE	PART NO.
RG-58C/U, 142/U, 142A/U, 223/U	29080-32-0
RG-174/U, 188/U, 316/U	29080-32-3
RG-178/U, 196/U	29080-RG178
RG-179A/U, 187/U	29080-RG179
RG-180/U, 195/U	29080-RG180
RD316	29080-32-D316
ASTROLAB 32001	29080-32-1
ASTROLAB 32004	29080-32-4
ASTROLAB 32022	29080-32-22
ASTROLAB 32024	29080-32-24
ASTROLAB 32025	29080-32-25
ASTROLAB 32027	29080-32-27
ASTROLAB 32029	29080-32-29
ASTROLAB 32079	29080-32-79
ASTROLAB 32080	29080-32-80
ASTROLAB 32081	29080-32-81
ASTROLAB 32084	29080-32-84
ASTROLAB 32086	29080-32-86
ASTROLAB 32098	29080-32-98

Select Part No.:

[Click here](#) to view your cart.

Browse By Category

[Catalog Home](#)

[Microwave Cable Assemblies](#)

[Microwave Cable](#)

[Microwave Connectors](#)

[Contacts](#)

[Adaptors Between Series](#)

[Surge Protection Adaptors](#)

[Phase Shifters](#)

[Other Passive Components](#)

Search:

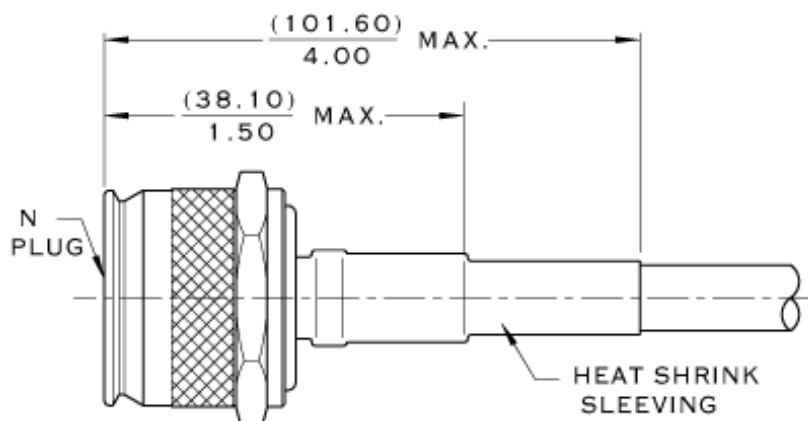
in



N plug - 29080

[Catalog Home](#) -> [Microwave Connectors](#) -> [N Interface](#) -> [Flexible Cable Connectors](#) -> N plug - 29080

N plug 29080



- frequency 18 GHz max.
(Max. frequency can be limited by cable.)
- crimp ferrule

CABLE	PART NO.
ASTROLAB 32019	29080-32-19
ASTROLAB 32036	29080-32-36
ASTROLAB 32039	29080-32-39
ASTROLAB 32048	29080-32-48
ASTROLAB 32050	29080-32-50
ASTROLAB 32051	29080-32-51
ASTROLAB 32055	29080-32-55
ASTROLAB 32071	29080-32-71
ASTROLAB 32094	29080-32-94

Select Part No.:

[Click here](#) to view your cart.

Browse By Category

[Catalog Home](#)
[Microwave Cable Assemblies](#)
[Microwave Cable](#)
[Microwave Connectors](#)
[Contacts](#)

[Adaptors Between Series](#)
[Surge Protection Adaptors](#)
[Phase Shifters](#)
[Other Passive Components](#)

Tel: (732) 560-3800

Fax: (732) 560-9570

support@astrolab.com

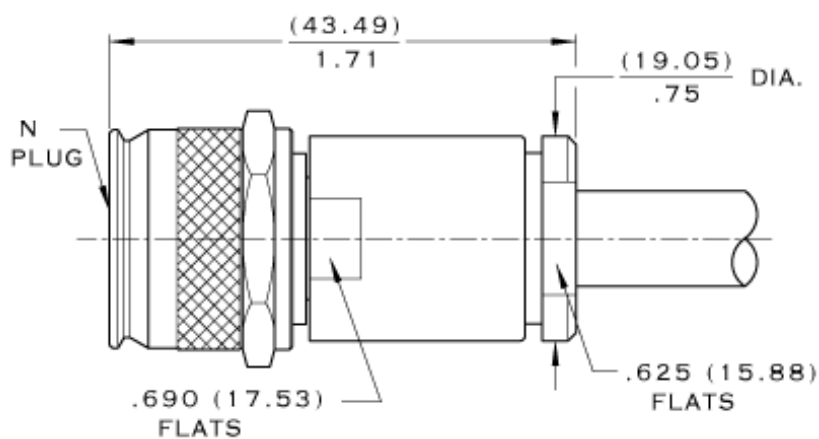
Search: in



N plug - 29602

[Catalog Home](#) -> [Microwave Connectors](#) -> [N Interface](#) -> [Flexible Cable Connectors](#) -> N plug - 29602

N plug 29602



- frequency 10 GHz max.
(Max. frequency can be limited by cable.)
- astro-uni-lok

CABLE	PART NO.
ASTROLAB 32071	29602-32-71

Select Part No.:

[Click here](#) to view your cart.

Browse By Category

[Catalog Home](#)
[Microwave Cable Assemblies](#)
[Microwave Cable](#)
[Microwave Connectors](#)
[Contacts](#)

[Adaptors Between Series](#)
[Surge Protection Adaptors](#)
[Phase Shifters](#)
[Other Passive Components](#)

Tel: (732) 560-3800

Fax: (732) 560-9570

support@astrolab.com

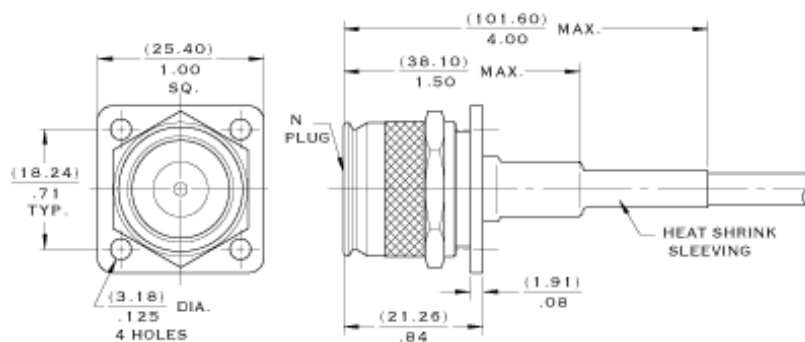
Search: in


[ABOUT US](#)
[PRODUCTS](#)
[MINIBEND](#)
[SUPPORT](#)


N plug, flanged - 29080F

[Catalog Home](#) -> [Microwave Connectors](#) -> [N Interface](#) -> [Flexible Cable Connectors](#) -> N plug, flanged - 29080F

N plug, flanged 29080F



- frequency 18 GHz max.
(Max. frequency can be limited by cable.)
- crimp ferrule
- figure [N2 flange](#) detail

CABLE	PART NO.
RG-58C/U, 142/U, 142A/U, 223/U	29080F-32-0
RG-174/U, 188/U, 316/U	29080F-32-3
RD316	29080F-32-D316
ASTROLAB 32001	29080F-32-1
ASTROLAB 32004	29080F-32-4
ASTROLAB 32022	29080F-32-22
ASTROLAB 32024	29080F-32-24
ASTROLAB 32025	29080F-32-25
ASTROLAB 32027	29080F-32-27
ASTROLAB 32029	29080F-32-29
ASTROLAB 32081	29080F-32-81
ASTROLAB 32084	29080F-32-84
ASTROLAB 32086	29080F-32-86
ASTROLAB 32098	29080F-32-98

Select Part No.:

[Click here](#) to view your cart.

Browse By Category

[Catalog Home](#)
[Microwave Cable Assemblies](#)
[Microwave Cable](#)
[Microwave Connectors](#)
[Contacts](#)

[Adaptors Between Series](#)
[Surge Protection Adaptors](#)
[Phase Shifters](#)
[Other Passive Components](#)

Tel: (732) 560-3800

Fax: (732) 560-9570

support@astrolab.com

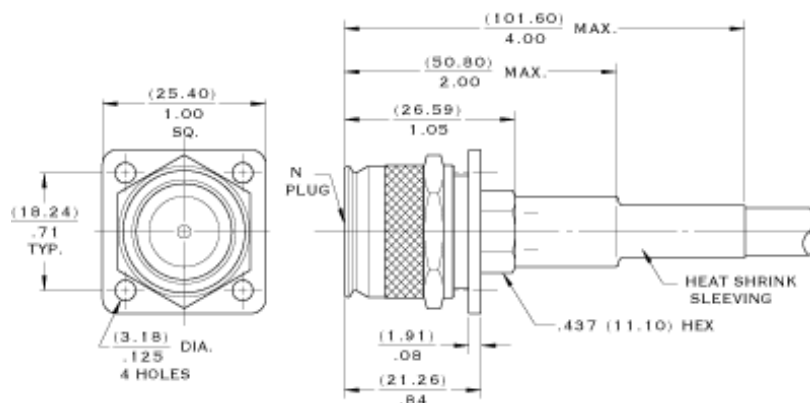
Search: in



N plug, flanged - 29080F

[Catalog Home](#) -> [Microwave Connectors](#) -> [N Interface](#) -> [Flexible Cable Connectors](#) -> N plug, flanged - 29080F

N plug, flanged 29080F



- frequency 18 GHz max.
(Max. frequency can be limited by cable.)
- crimp ferrule
- figure [N2 flange](#) detail

CABLE	PART NO.
ASTROLAB 32019	29080F-32-19
ASTROLAB 32036	29080F-32-36
ASTROLAB 32039	29080F-32-39
ASTROLAB 32048	29080F-32-48
ASTROLAB 32050	29080F-32-50
ASTROLAB 32051	29080F-32-51
ASTROLAB 32055	29080F-32-55
ASTROLAB 32094	29080F-32-94

Select Part No.:

[Click here](#) to view your cart.

Browse By Category

[Catalog Home](#)
[Microwave Cable Assemblies](#)
[Microwave Cable](#)
[Microwave Connectors](#)
[Contacts](#)

[Adaptors Between Series](#)
[Surge Protection Adaptors](#)
[Phase Shifters](#)
[Other Passive Components](#)

Tel: (732) 560-3800

Fax: (732) 560-9570

support@astrolab.com

Search:

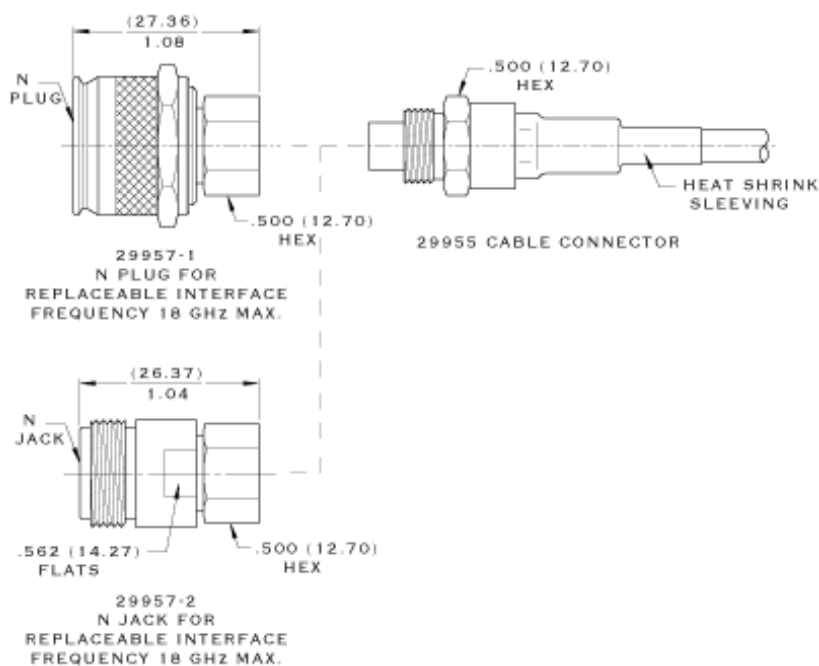
in



N cable connector - 29955

[Catalog Home](#) -> [Microwave Connectors](#) -> [N Interface](#) -> [Flexible Cable Connectors](#) -> N cable connector - 29955

N cable connector 29955



CABLE	PART NO.
ASTROLAB 32022	29955-32-22
ASTROLAB 32027	29955-32-27
ASTROLAB 32029	29955-32-29
ASTROLAB 32055	29955-32-55
ASTROLAB 32094	29955-32-94

Note: Other replaceable interface styles are available. Please contact an Astrolab representative for more details.

Select Part No.:

[Click here](#) to view your cart.

Browse By Category

[Catalog Home](#)

[Microwave Cable Assemblies](#)

[Microwave Cable](#)

[Microwave Connectors](#)

[Contacts](#)

[Adaptors Between Series](#)

[Surge Protection Adaptors](#)

[Phase Shifters](#)

[Other Passive Components](#)

Tel: (732) 560-3800

Fax: (732) 560-9570

support@astrolab.com

Search:

in

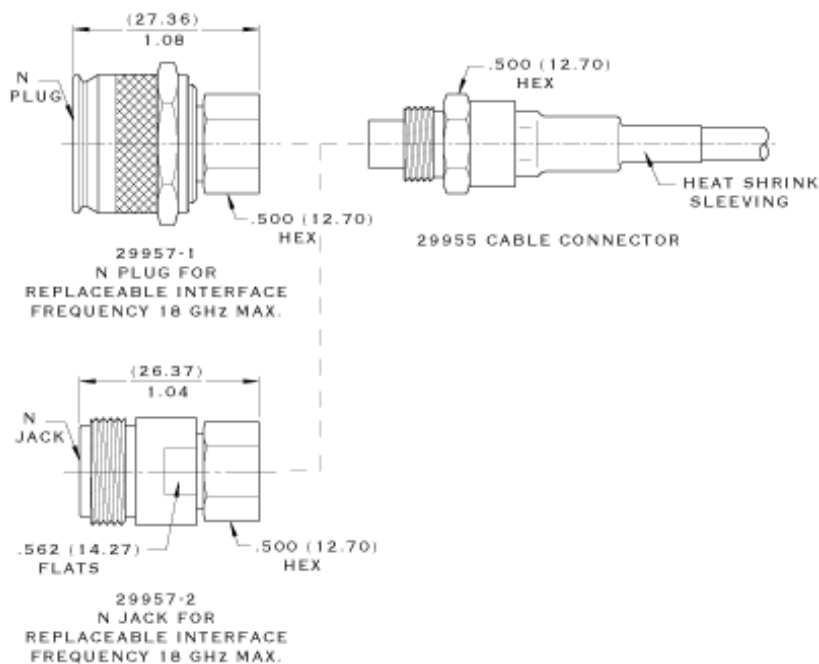


N plug for replaceable interface - 29957-1

[Catalog Home](#) -> [Microwave Connectors](#) -> [N Interface](#) -> [Flexible Cable Connectors](#) -> N plug for replaceable interface - 29957-1

N plug for replaceable interface 29957-1

- frequency 18 GHz max.



Note: Other replaceable interface styles are available. Please contact an Astrolab representative for more details.

Add this item to my cart.

[Click here](#) to view your cart.

Browse By Category

[Catalog Home](#)
[Microwave Cable Assemblies](#)
[Microwave Cable](#)
[Microwave Connectors](#)
[Contacts](#)

[Adaptors Between Series](#)
[Surge Protection Adaptors](#)
[Phase Shifters](#)
[Other Passive Components](#)

Tel: (732) 560-3800

Fax: (732) 560-9570

support@astrolab.com

Search: in

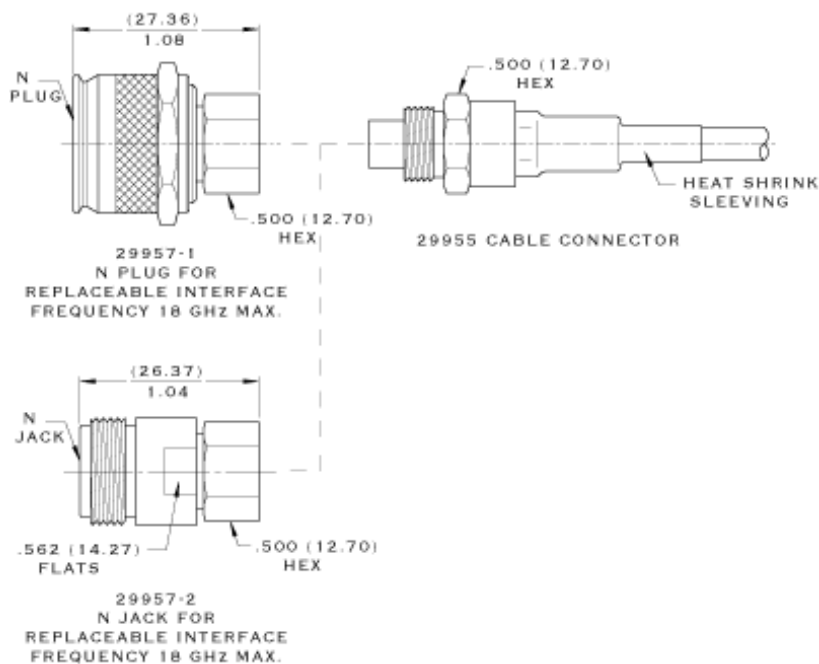


N jack for replaceable interface - 29957-2

[Catalog Home](#) -> [Microwave Connectors](#) -> [N Interface](#) -> [Flexible Cable Connectors](#) -> N jack for replaceable interface - 29957-2

N jack for replaceable interface 29957-2

- frequency 18 GHz max.



Note: Other replaceable interface styles are available. Please contact an Astrolab representative for more details.

Add this item to my cart.

[Click here](#) to view your cart.

Browse By Category

[Catalog Home](#)
[Microwave Cable Assemblies](#)
[Microwave Cable](#)
[Microwave Connectors](#)
[Contacts](#)

[Adaptors Between Series](#)
[Surge Protection Adaptors](#)
[Phase Shifters](#)
[Other Passive Components](#)

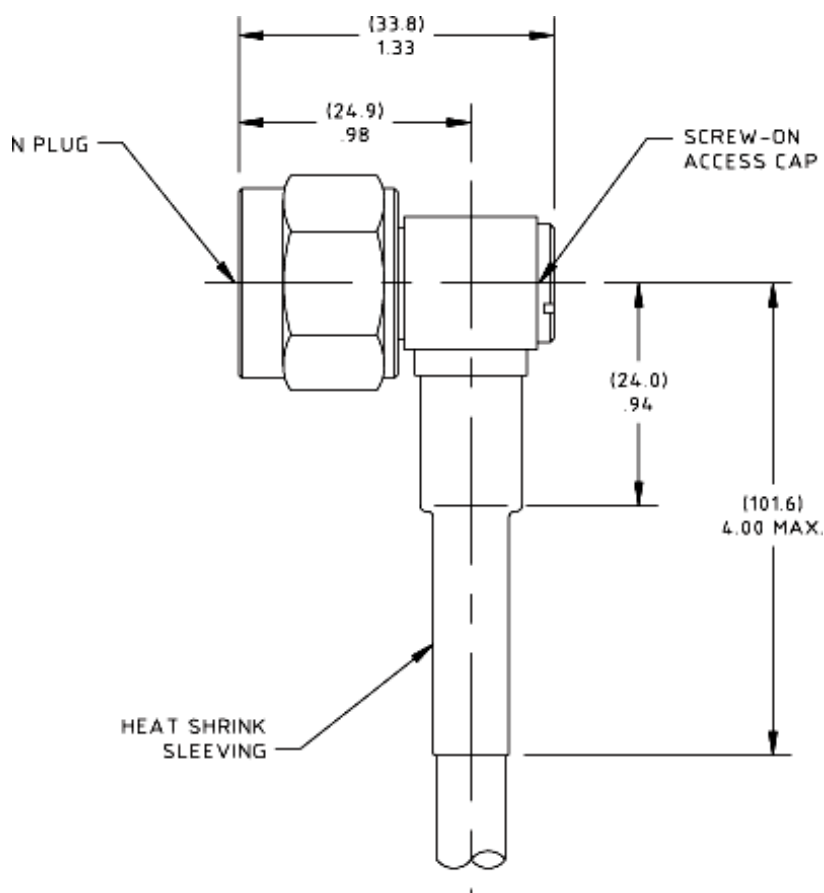
Tel: (732) 560-3800

Fax: (732) 560-9570

support@astrolab.com

Search: in


right angle N plug - 29349
[Catalog Home](#) -> [Microwave Connectors](#) -> [N Interface](#) -> [Flexible Cable Connectors](#) -> right angle N plug - 29349

**Right angle N plug
29349**


- frequency 8 GHz max.
(Max. frequency can be limited by cable.)
- crimp ferrule

CABLE	PART NO.
RG-58C/U, 142/U, 142A/U, 223/U	29691-32-0
RG-174/U, 188/U, 316/U	29691-32-3
ASTROLAB 32001	29691-32-1
ASTROLAB 32004	29691-32-4
ASTROLAB 32019	29691-32-19
ASTROLAB 32022	29691-32-22
ASTROLAB 32024	29691-32-24
ASTROLAB 32025	29691-32-25
ASTROLAB 32027	29691-32-27
ASTROLAB 32029	29691-32-29
ASTROLAB 32039	29691-32-39
ASTROLAB 32048	29691-32-48
ASTROLAB 32050	29691-32-50
ASTROLAB 32051	29691-32-51
ASTROLAB 32055	29691-32-55
ASTROLAB 32081	29691-32-81