

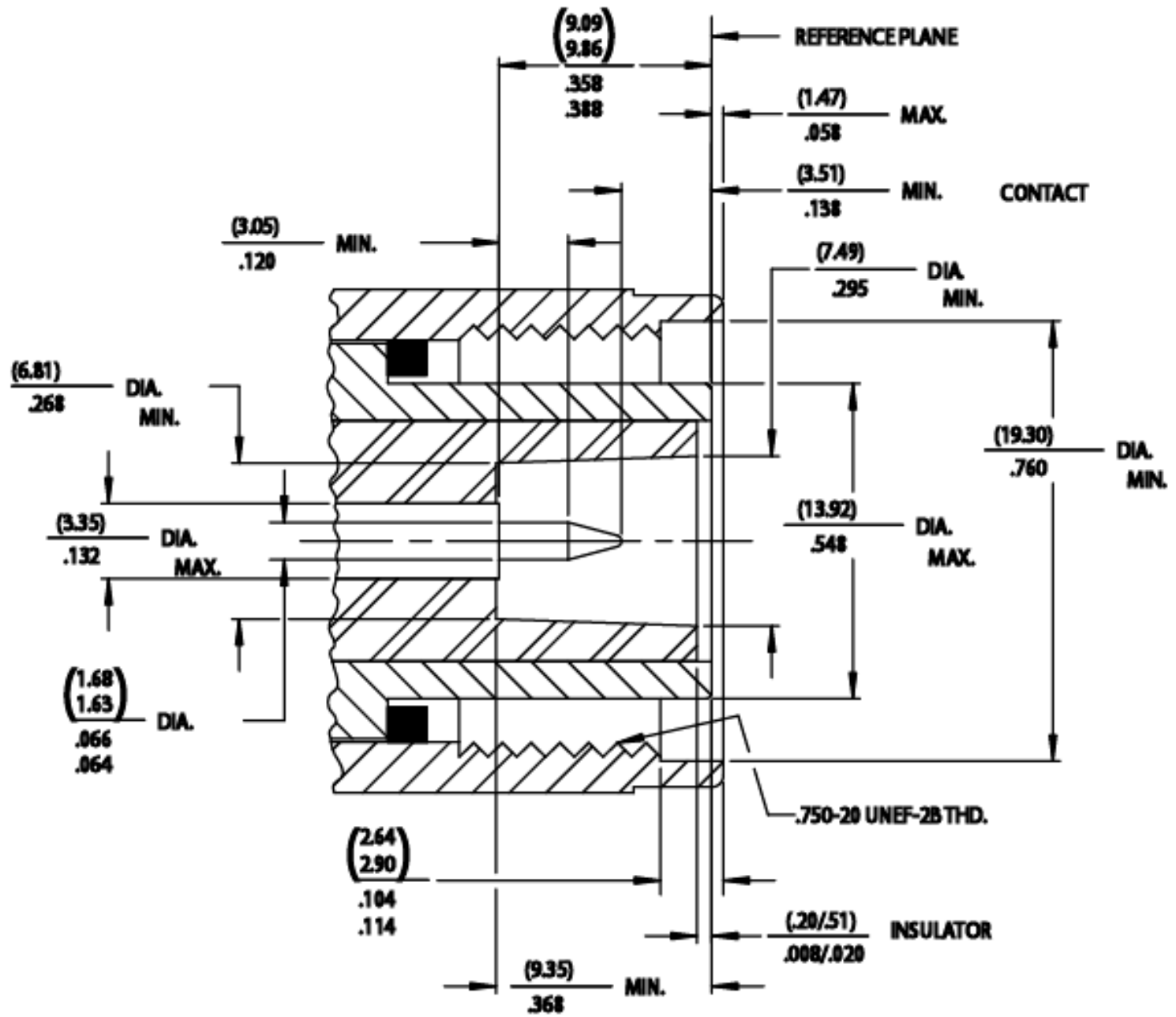


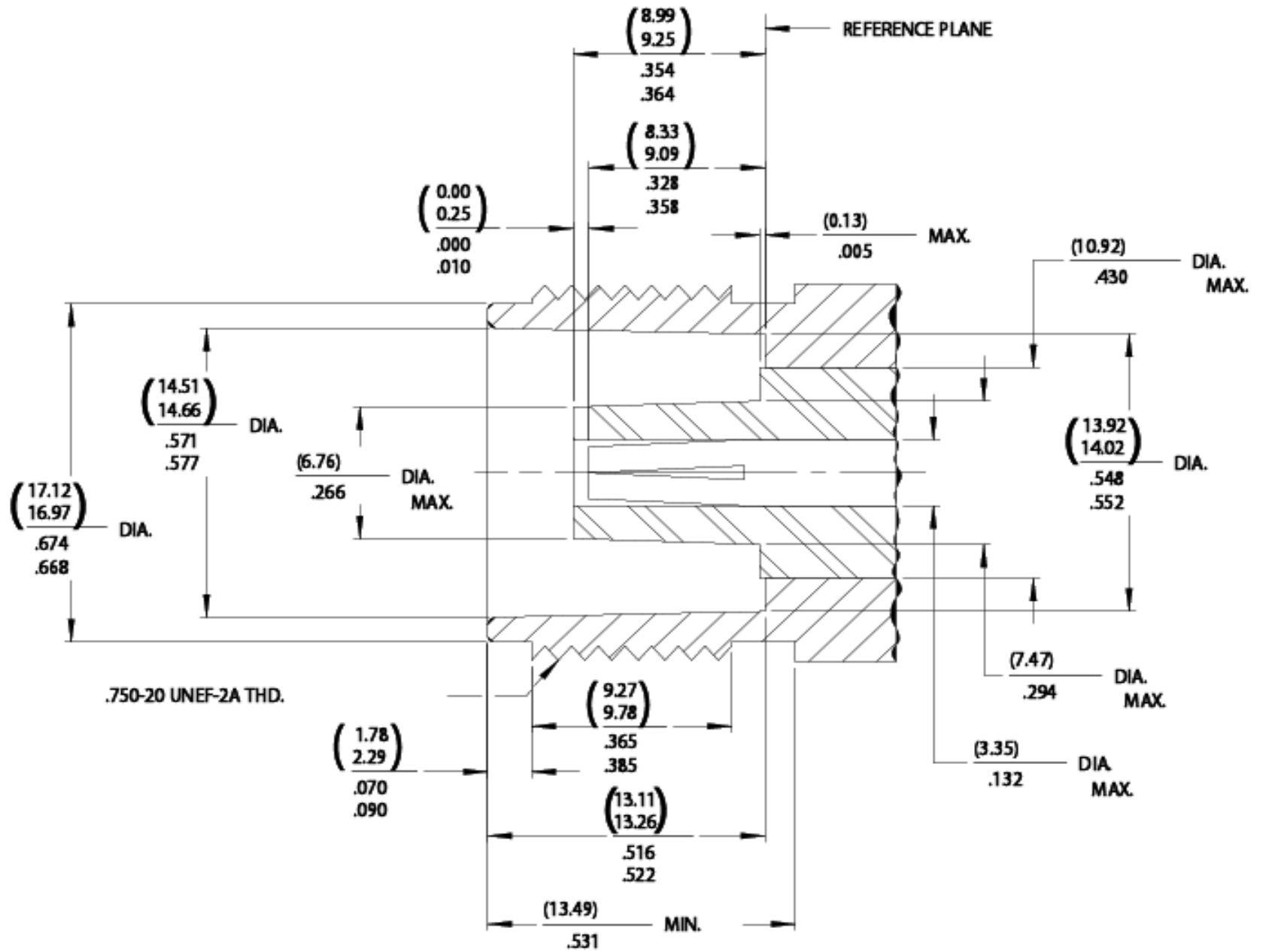
HN Interface

[Catalog Home](#) -> [Microwave Connectors](#) -> HN Interface

HN Interface

Interface drawings not shown full scale.





Please continue your selection below:

- [Flexible Cable Connectors](#)
- [Semi-Rigid Cable Connectors](#)
- [Panel Mount Connectors](#)

Browse By Category

[Catalog Home](#)

[Microwave Cable Assemblies](#)

[Microwave Cable](#)

[Microwave Connectors](#)

[Contacts](#)

[Adaptors Between Series](#)

[Surge Protection Adaptors](#)

[Phase Shifters](#)

[Other Passive Components](#)

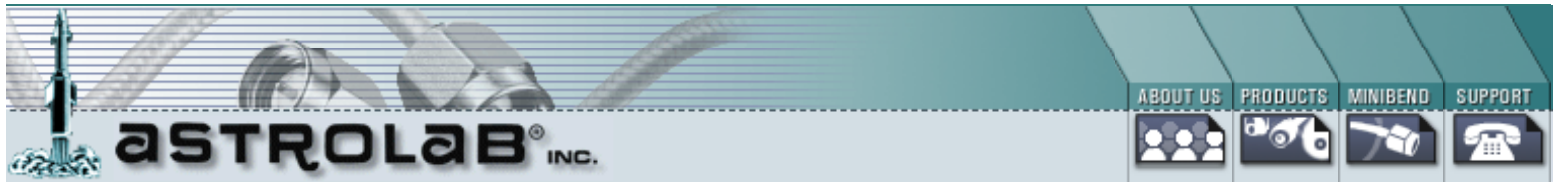
Tel: (732) 560-3800

Fax: (732) 560-9570

support@astrolab.com

Search:

in



Flexible Cable Connectors

[Catalog Home](#) -> [Microwave Connectors](#) -> [HN Interface](#) -> Flexible Cable Connectors

Please continue your selection below:

- [HN jack - 29326](#)
- [HN jack - 29326](#)
- [HN plug - 29327](#)
- [HN plug - 29327](#)

Browse By Category

[Catalog Home](#)
[Microwave Cable Assemblies](#)
[Microwave Cable](#)
[Microwave Connectors](#)
[Contacts](#)

[Adaptors Between Series](#)
[Surge Protection Adaptors](#)
[Phase Shifters](#)
[Other Passive Components](#)

Tel: (732) 560-3800

Fax: (732) 560-9570

support@astrolab.com

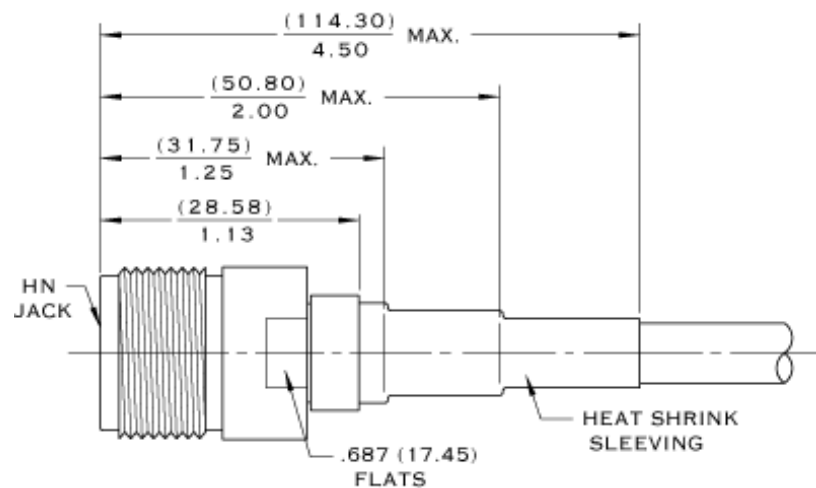
Search: in



HN jack - 29326

[Catalog Home](#) -> [Microwave Connectors](#) -> [HN Interface](#) -> [Flexible Cable Connectors](#) -> HN jack - 29326

HN jack 29326



- frequency 8 GHz max.
- crimp ferrule

CABLE	PART NO.
RG-58C/U, 142/U, 142A/U, 223/U	29326-32-0
ASTROLAB 32019	29326-32-19
ASTROLAB 32022	29326-32-22
ASTROLAB 32027	29326-32-27
ASTROLAB 32029	29326-32-29
ASTROLAB 32039	29326-32-39
ASTROLAB 32048	29326-32-48
ASTROLAB 32050	29326-32-50
ASTROLAB 32051	29326-32-51
ASTROLAB 32055	29326-32-55
ASTROLAB 32094	29326-32-94

Select Part No.:

[Click here](#) to view your cart.

Browse By Category

[Catalog Home](#)
[Microwave Cable Assemblies](#)
[Microwave Cable](#)
[Microwave Connectors](#)
[Contacts](#)

[Adaptors Between Series](#)
[Surge Protection Adaptors](#)
[Phase Shifters](#)
[Other Passive Components](#)

Tel: (732) 560-3800

Fax: (732) 560-9570

support@astrolab.com

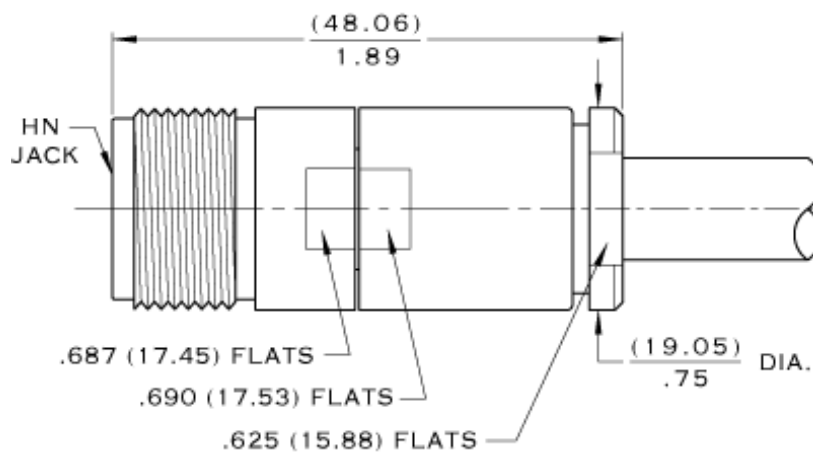
Search: in



HN jack - 29326

[Catalog Home](#) -> [Microwave Connectors](#) -> [HN Interface](#) -> [Flexible Cable Connectors](#) -> HN jack - 29326

HN jack 29326



- frequency 8 GHz max.
- crimp ferrule

CABLE	PART NO.
ASTROLAB 32071	29326-32-71

Select Part No.:

[Click here](#) to view your cart.

Browse By Category

[Catalog Home](#)

[Microwave Cable Assemblies](#)

[Microwave Cable](#)

[Microwave Connectors](#)

[Contacts](#)

[Adaptors Between Series](#)

[Surge Protection Adaptors](#)

[Phase Shifters](#)

[Other Passive Components](#)

Tel: (732) 560-3800

Fax: (732) 560-9570

support@astrolab.com

Search:

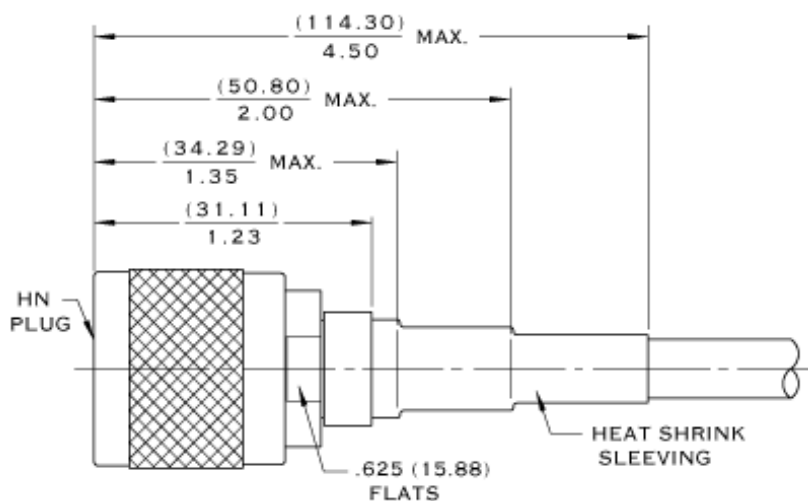
in



HN plug - 29327

[Catalog Home](#) -> [Microwave Connectors](#) -> [HN Interface](#) -> [Flexible Cable Connectors](#) -> HN plug - 29327

HN plug 29327



- frequency 8 GHz max.
- crimp ferrule

CABLE	PART NO.
RG-58C/U, 142/U, 142A/U, 223/U	29327-32-0
ASTROLAB 32019	29327-32-19
ASTROLAB 32022	29327-32-22
ASTROLAB 32027	29327-32-27
ASTROLAB 32029	29327-32-29
ASTROLAB 32039	29327-32-39
ASTROLAB 32048	29327-32-48
ASTROLAB 32050	29327-32-50
ASTROLAB 32051	29327-32-51
ASTROLAB 32055	29327-32-55
ASTROLAB 32094	29327-32-94

Select Part No.:

[Click here](#) to view your cart.

Browse By Category

[Catalog Home](#)
[Microwave Cable Assemblies](#)
[Microwave Cable](#)
[Microwave Connectors](#)
[Contacts](#)

[Adaptors Between Series](#)
[Surge Protection Adaptors](#)
[Phase Shifters](#)
[Other Passive Components](#)

Tel: (732) 560-3800

Fax: (732) 560-9570

support@astrolab.com

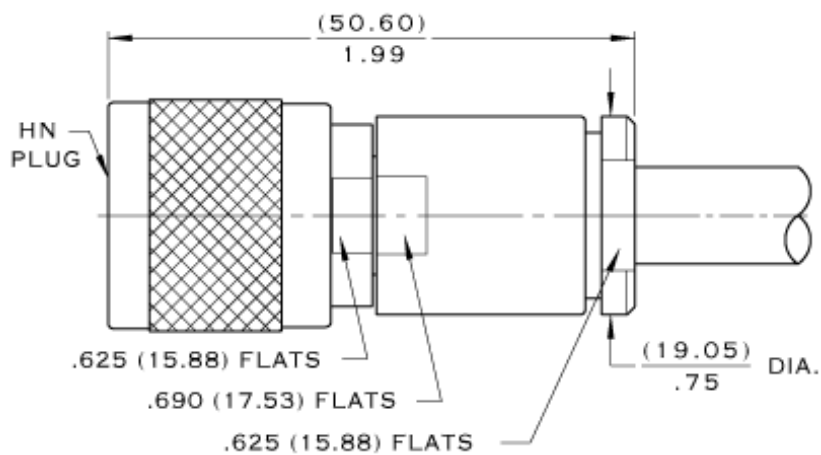
Search: in



HN plug - 29327

[Catalog Home](#) -> [Microwave Connectors](#) -> [HN Interface](#) -> [Flexible Cable Connectors](#) -> HN plug - 29327

HN plug 29327



- frequency 8 GHz max.
- astro-uni-lok

CABLE	PART NO.
ASTROLAB 32071	29326-32-71

Select Part No.:

[Click here](#) to view your cart.

Browse By Category

[Catalog Home](#)

[Microwave Cable Assemblies](#)

[Microwave Cable](#)

[Microwave Connectors](#)

[Contacts](#)

[Adaptors Between Series](#)

[Surge Protection Adaptors](#)

[Phase Shifters](#)

[Other Passive Components](#)

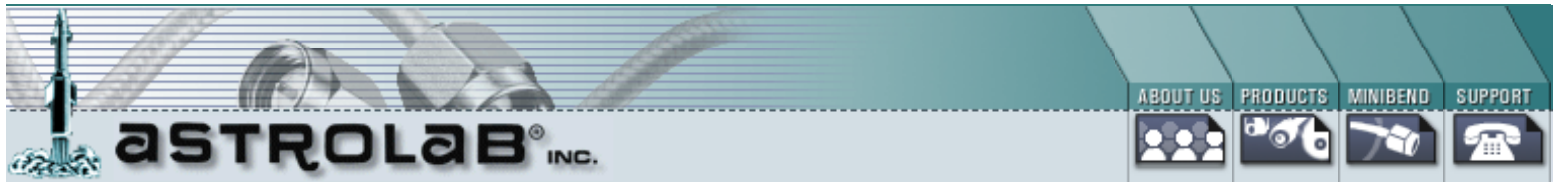
Tel: (732) 560-3800

Fax: (732) 560-9570

support@astrolab.com

Search:

in



Semi-Rigid Cable Connectors

[Catalog Home](#) -> [Microwave Connectors](#) -> [HN Interface](#) -> Semi-Rigid Cable Connectors

Please continue your selection below:

- [HN jack - 29326](#)
- [HN plug - 29327](#)

Browse By Category

[Catalog Home](#)

[Microwave Cable Assemblies](#)

[Microwave Cable](#)

[Microwave Connectors](#)

[Contacts](#)

[Adaptors Between Series](#)

[Surge Protection Adaptors](#)

[Phase Shifters](#)

[Other Passive Components](#)

Tel: (732) 560-3800

Fax: (732) 560-9570

support@astrolab.com

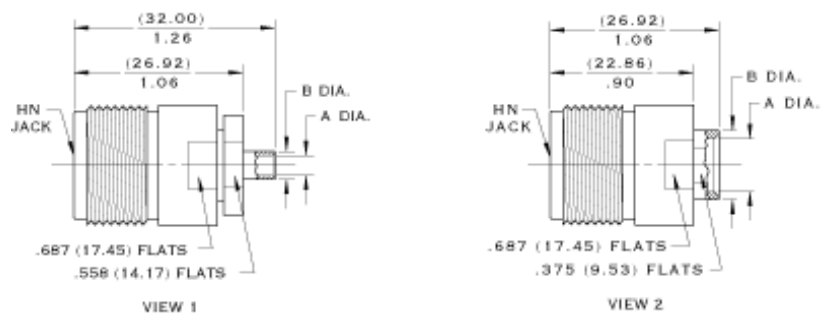
Search: in



HN jack - 29326

[Catalog Home](#) -> [Microwave Connectors](#) -> [HN Interface](#) -> [Semi-Rigid Cable Connectors](#) -> HN jack - 29326

HN jack 29326



- frequency 8 GHz max.

CABLE	PART NO.	CABLE DIA.		A DIA.		B DIA.		VIEW
		IN.	MM	IN.	MM	IN.	MM	
ASTROLAB 31000; RG-402	29326-1	.141	3.58	.144	3.66	.175	4.45	1
ASTROLAB 31086; RG-405	29326-2	.086	2.18	.089	2.26	.125	3.18	1
RG-401	29326-4	.250	6.35	.255	6.48	.430	10.92	2
	29326-5	.325	8.26	.330	8.38	.430	10.92	2

Select Part No.:

[Click here](#) to view your cart.

Browse By Category

[Catalog Home](#)
[Microwave Cable Assemblies](#)
[Microwave Cable](#)
[Microwave Connectors](#)
[Contacts](#)

[Adaptors Between Series](#)
[Surge Protection Adaptors](#)
[Phase Shifters](#)
[Other Passive Components](#)

Tel: (732) 560-3800

Fax: (732) 560-9570

support@astrolab.com

Search:

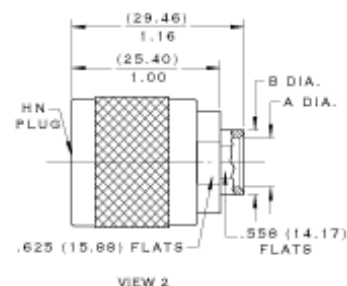
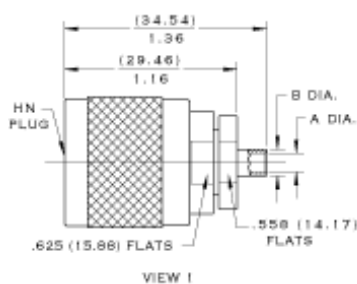
in



HN plug - 29327

[Catalog Home](#) -> [Microwave Connectors](#) -> [HN Interface](#) -> [Semi-Rigid Cable Connectors](#) -> HN plug - 29327

HN plug 29327



- frequency 8 GHz max.

CABLE	PART NO.	CABLE DIA.		A DIA.		B DIA.		VIEW
		IN.	MM	IN.	MM	IN.	MM	
ASTROLAB 31000; RG-402	29327-1	.141	3.58	.144	3.66	.175	4.45	1
ASTROLAB 31086; RG-405	29327-2	.086	2.18	.089	2.26	.125	3.18	1
RG-401	29327-4	.250	6.35	.255	6.48	.430	10.92	2
	29327-5	.325	8.26	.330	8.38	.430	10.92	2

Select Part No.:

[Click here](#) to view your cart.

Browse By Category

[Catalog Home](#)
[Microwave Cable Assemblies](#)
[Microwave Cable](#)
[Microwave Connectors](#)
[Contacts](#)

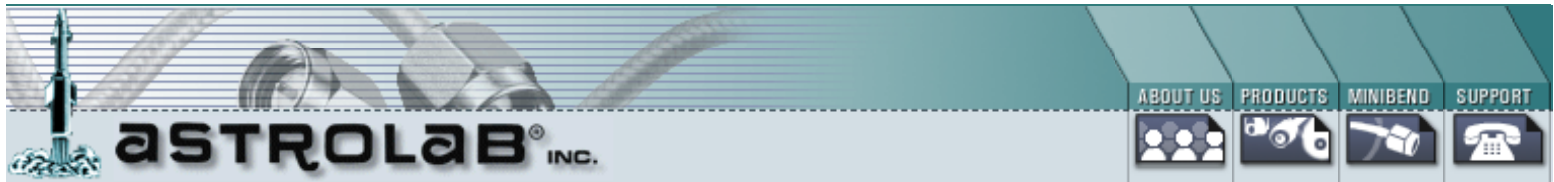
[Adaptors Between Series](#)
[Surge Protection Adaptors](#)
[Phase Shifters](#)
[Other Passive Components](#)

Tel: (732) 560-3800

Fax: (732) 560-9570

support@astrolab.com

Search: in



Panel Mount Connectors

[Catalog Home](#) -> [Microwave Connectors](#) -> [HN Interface](#) -> Panel Mount Connectors

Please continue your selection below:

- [HN jack, flanged - 29300-1](#)
- [HN plug, flanged - 29295-1](#)

Browse By Category

[Catalog Home](#)

[Microwave Cable Assemblies](#)

[Microwave Cable](#)

[Microwave Connectors](#)

[Contacts](#)

[Adaptors Between Series](#)

[Surge Protection Adaptors](#)

[Phase Shifters](#)

[Other Passive Components](#)

Tel: (732) 560-3800

Fax: (732) 560-9570

support@astrolab.com

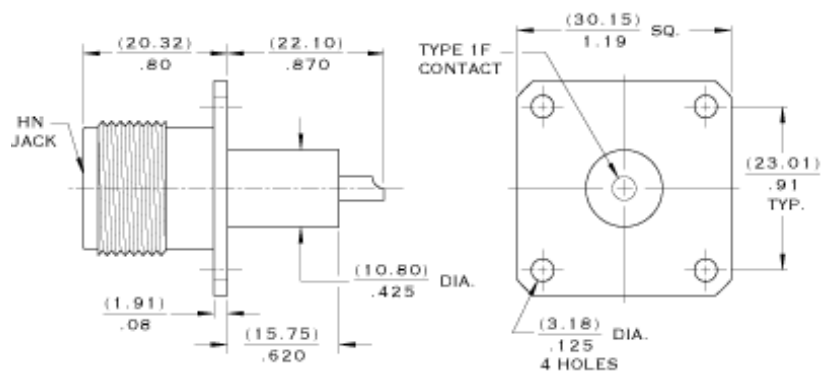
Search: _____ in _____



HN jack, flanged - 29300-1

[Catalog Home](#) -> [Microwave Connectors](#) -> [HN Interface](#) -> [Panel Mount Connectors](#) -> HN jack, flanged - 29300-1

HN jack, flanged 29300-1



- frequency 8 GHz max.
- figure [H1 flange](#) detail

Add this item to my cart.

[Click here](#) to view your cart.

Browse By Category

[Catalog Home](#)

[Microwave Cable Assemblies](#)

[Microwave Cable](#)

[Microwave Connectors](#)

[Contacts](#)

[Adaptors Between Series](#)

[Surge Protection Adaptors](#)

[Phase Shifters](#)

[Other Passive Components](#)

Tel: (732) 560-3800

Fax: (732) 560-9570

support@astrolab.com

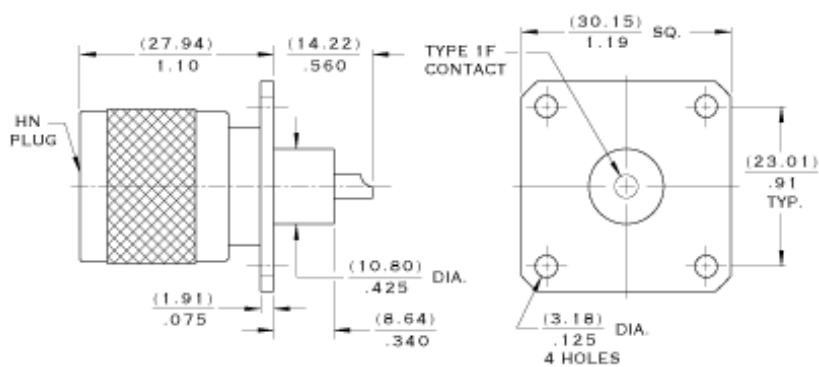
Search: in



HN plug, flanged - 29295-1

[Catalog Home](#) -> [Microwave Connectors](#) -> [HN Interface](#) -> [Panel Mount Connectors](#) -> HN plug, flanged - 29295-1

HN jack, flanged 29295-1



- frequency 8 GHz max.
- figure [H1 flange](#) detail

Add this item to my cart.

[Click here](#) to view your cart.

Browse By Category

[Catalog Home](#)

[Microwave Cable Assemblies](#)

[Microwave Cable](#)

[Microwave Connectors](#)

[Contacts](#)

[Adaptors Between Series](#)

[Surge Protection Adaptors](#)

[Phase Shifters](#)

[Other Passive Components](#)

Tel: (732) 560-3800

Fax: (732) 560-9570

support@astrolab.com

Search:

in