

Panel Mount Connectors

[Catalog Home](#) -> [Microwave Connectors](#) -> [TNC Interface](#) -> Panel Mount Connectors

Please continue your selection below:

- [90° sweep precision TNC jack, flanged - 29722](#)
- [90° sweep precision TNC plug, flanged - 29721](#)
- [TNC jack, flanged - 29318](#)
- [precision TNC jack, flanged - 29713](#)
- [TNC jack, flanged - 29713](#)
- [precision TNC jack, flanged - 29713](#)
- [hermetic TNC jack, flanged - 29713GG](#)
- [precision TNC plug, flanged - 29723](#)

Browse By Category

[Catalog Home](#)
[Microwave Cable Assemblies](#)
[Microwave Cable](#)
[Microwave Connectors](#)
[Contacts](#)

[Adaptors Between Series](#)
[Surge Protection Adaptors](#)
[Phase Shifters](#)
[Other Passive Components](#)

Tel: (732) 560-3800

Fax: (732) 560-9570

support@astrolab.com

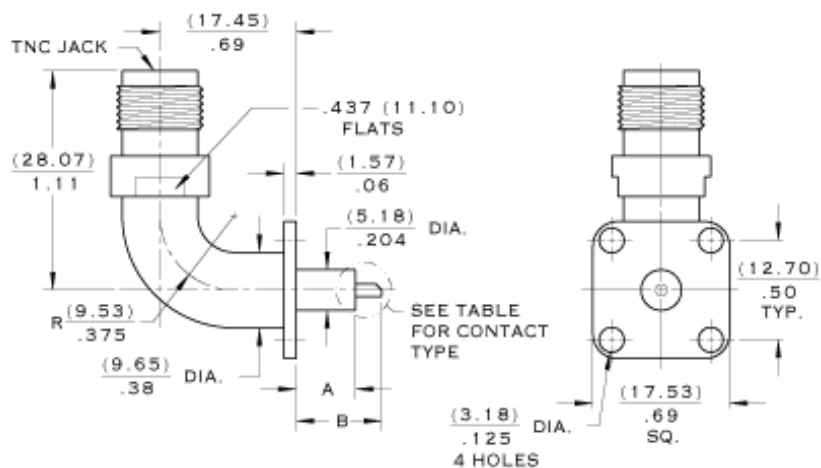
Search: in



90° sweep precision TNC jack, flanged - 29722

[Catalog Home](#) -> [Microwave Connectors](#) -> [TNC Interface](#) -> [Panel Mount Connectors](#) -> 90° sweep precision TNC jack, flanged - 29722

90° sweep precision TNC jack, flanged 29722



- frequency 18 GHz max.
- figure [T1 flange](#) detail

PART NO.	CONTACT TYPE	A		B	
		IN.	MM	IN.	MM
29722-1	1AS	.165	4.19	.380	9.65
29722-2	2AS	.000	0.00	.050	1.27
29722-3	5AS	.000	0.00	.100	2.54
29722-4	3AS	.000	0.00	.062	1.57
29722-5	3AS	.000	0.00	.093	2.36
29722-6	3AS	.000	0.00	.125	3.18
29722-7	5AS	.350	8.89	4.50	11.43
29722-8	1AS	.000	0.00	.050	1.27
29722-10	3AS	.480	12.19	1.000	25.40
29722-11	3AS	.270	6.86	.340	8.64
29722-12	3AS	.188	4.78	.388	9.86
29722-13	3AS	.125	3.18	.250	6.35
29722-14	3AS	.480	12.19	.530	13.46

Select Part No.:

[Click here](#) to view your cart.

Browse By Category

[Catalog Home](#)

[Microwave Cable Assemblies](#)

[Microwave Cable](#)

[Microwave Connectors](#)

[Contacts](#)

[Adaptors Between Series](#)

[Surge Protection Adaptors](#)

[Phase Shifters](#)

[Other Passive Components](#)

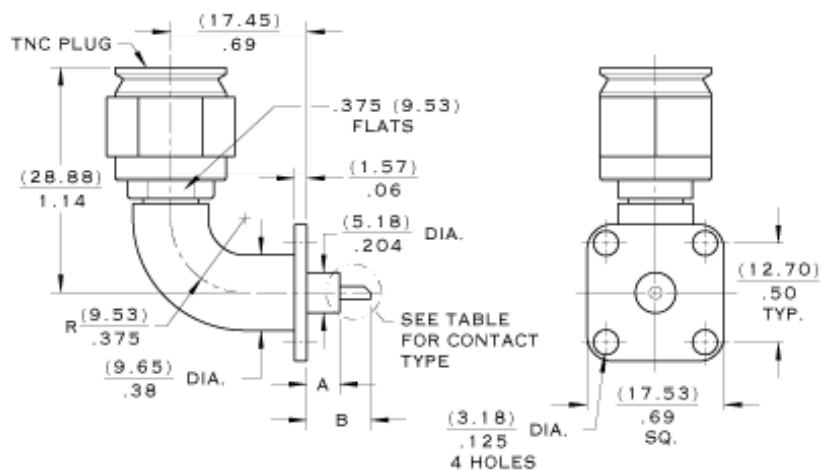
Search: **in**



90° sweep precision TNC plug, flanged - 29721

[Catalog Home](#) -> [Microwave Connectors](#) -> [TNC Interface](#) -> [Panel Mount Connectors](#) -> 90° sweep precision TNC plug, flanged - 29721

90° sweep precision TNC plug, flanged 29721



- frequency 18 GHz max.
- figure [T1 flange](#) detail

PART NO.	CONTACT TYPE	A IN. MM		B IN. MM	
29721-1	1AS	.165	4.19	.380	9.65
29721-2	2AS	.000	0.00	.050	1.27
29721-3	5AS	.000	0.00	.100	2.54
29721-4	3AS	.000	0.00	.062	1.57
29721-5	3AS	.000	0.00	.093	2.36
29721-6	3AS	.000	0.00	.125	3.18
29721-7	5AS	.350	8.89	.450	11.43
29721-8	1AS	.000	0.00	.050	1.27
29721-10	3AS	.125	3.18	.250	6.35

Select Part No.:

[Click here](#) to view your cart.

Browse By Category

[Catalog Home](#)
[Microwave Cable Assemblies](#)
[Microwave Cable](#)
[Microwave Connectors](#)
[Contacts](#)

[Adaptors Between Series](#)
[Surge Protection Adaptors](#)
[Phase Shifters](#)
[Other Passive Components](#)

Tel: (732) 560-3800

Fax: (732) 560-9570

support@astrolab.com

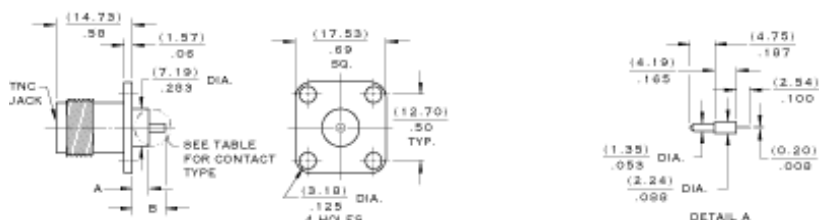
Search: in



TNC jack, flanged - 29318

[Catalog Home](#) -> [Microwave Connectors](#) -> [TNC Interface](#) -> [Panel Mount Connectors](#) -> TNC jack, flanged - 29318

TNC jack, flanged 29318



- frequency 14 GHz max.
- figure [T1 flange](#) detail
- figure [N2 flange](#) available

PART NO.	CONTACT TYPE	A		B	
		IN.	MM	IN.	MM
29318-1C	1B	.165	4.19	.332	8.43
29318-2C	2B	.000	0.00	.050	1.27
29318-3C	5B	.000	0.00	.100	2.54
29318-4C	3B	.000	0.00	.062	1.57
29318-5C	3B	.000	0.00	.093	2.36
29318-6C	3B	.000	0.00	.125	3.18
29318-7C	8B	.000	0.00	.000	0.00
29318-9C	5B	.350	8.89	.450	11.43
29318-10C	1B	.000	0.00	.050	1.27
29318-21C	SEE DETAIL A	.165	4.19	.265	6.73

Select Part No.:

[Click here](#) to view your cart.

Browse By Category

[Catalog Home](#)
[Microwave Cable Assemblies](#)
[Microwave Cable](#)
[Microwave Connectors](#)
[Contacts](#)

[Adaptors Between Series](#)
[Surge Protection Adaptors](#)
[Phase Shifters](#)
[Other Passive Components](#)

Tel: (732) 560-3800

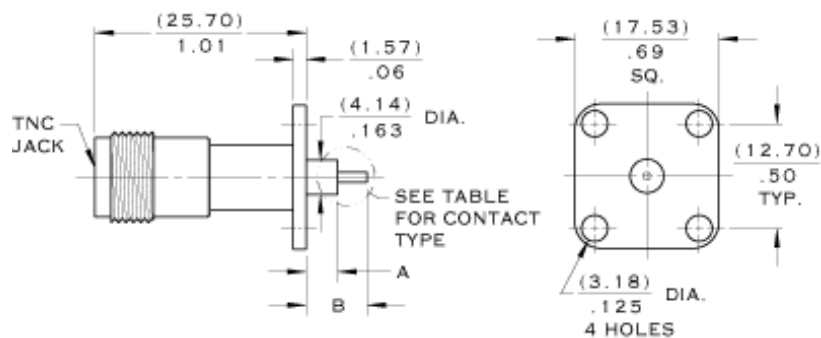
Fax: (732) 560-9570

support@astrolab.com

Search: in


precision TNC jack, flanged - 29713

[Catalog Home](#) -> [Microwave Connectors](#) -> [TNC Interface](#) -> [Panel Mount Connectors](#) -> precision TNC jack, flanged - 29713

**precision TNC jack, flanged
29713**


- frequency 18 GHz max.
- figure [T1 flange](#) detail
- figure [N2 flange](#) available

PART NO.	CONTACT TYPE	A		B	
		IN.	MM	IN.	MM
29713-1C	1C	.165	4.19	.332	8.43
29713-2C	2C	.542	13.77	6.04	15.34
29713-3C	5C	.000	0.00	.100	2.54
29713-4C	3C	.000	0.00	.062	1.57
29713-5C	3C	.000	0.00	.093	2.36
29713-6C	3C	.000	0.00	.125	3.18
29713-7C	5B	.350	8.89	.450	11.43
29713-8C	1C	.000	0.00	.050	1.27
29713-9C	2C	.000	0.00	.050	1.27
29713-11C	3C	.350	8.89	1.25	31.75
29713-12C	8C	.000	0.00	.000	0.00
29713-14C	8H	.000	0.00	.000	0.00

Select Part No.:

[Click here](#) to view your cart.

Browse By Category

[Catalog Home](#)
[Microwave Cable Assemblies](#)
[Microwave Cable](#)
[Microwave Connectors](#)
[Contacts](#)

[Adaptors Between Series](#)
[Surge Protection Adaptors](#)
[Phase Shifters](#)
[Other Passive Components](#)

Tel: (732) 560-3800

Fax: (732) 560-9570

support@astrolab.com

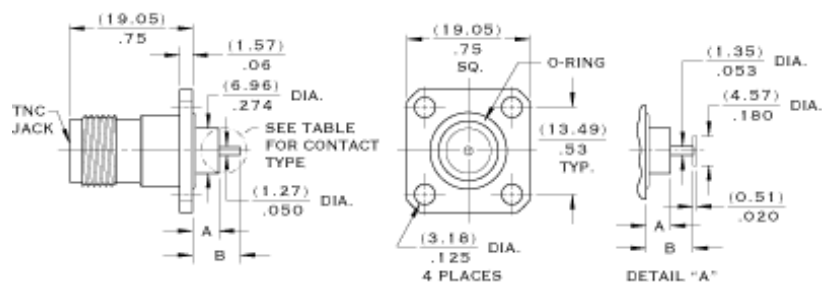
Search: in



TNC jack, flanged - 29713

[Catalog Home](#) -> [Microwave Connectors](#) -> [TNC Interface](#) -> [Panel Mount Connectors](#) -> TNC jack, flanged - 29713

TNC jack, flanged 29713



- frequency 14 GHz max.
- figure [T2 flange](#) detail

PART NO.	CONTACT TYPE	A		B	
		.160	IN. MM	.347	IN. MM
29713-23C	SEE DETAIL A	.160	4.06	.347	8.81
29713-25C	8B	.160	4.06	.000	0.00
29713-27C	3C*	.197	5.00	.227	5.77

* .163 (4.14) DIA. DIELECTRIC

Select Part No.:

[Click here](#) to view your cart.

Browse By Category

[Catalog Home](#)
[Microwave Cable Assemblies](#)
[Microwave Cable](#)
[Microwave Connectors](#)
[Contacts](#)

[Adaptors Between Series](#)
[Surge Protection Adaptors](#)
[Phase Shifters](#)
[Other Passive Components](#)

Tel: (732) 560-3800

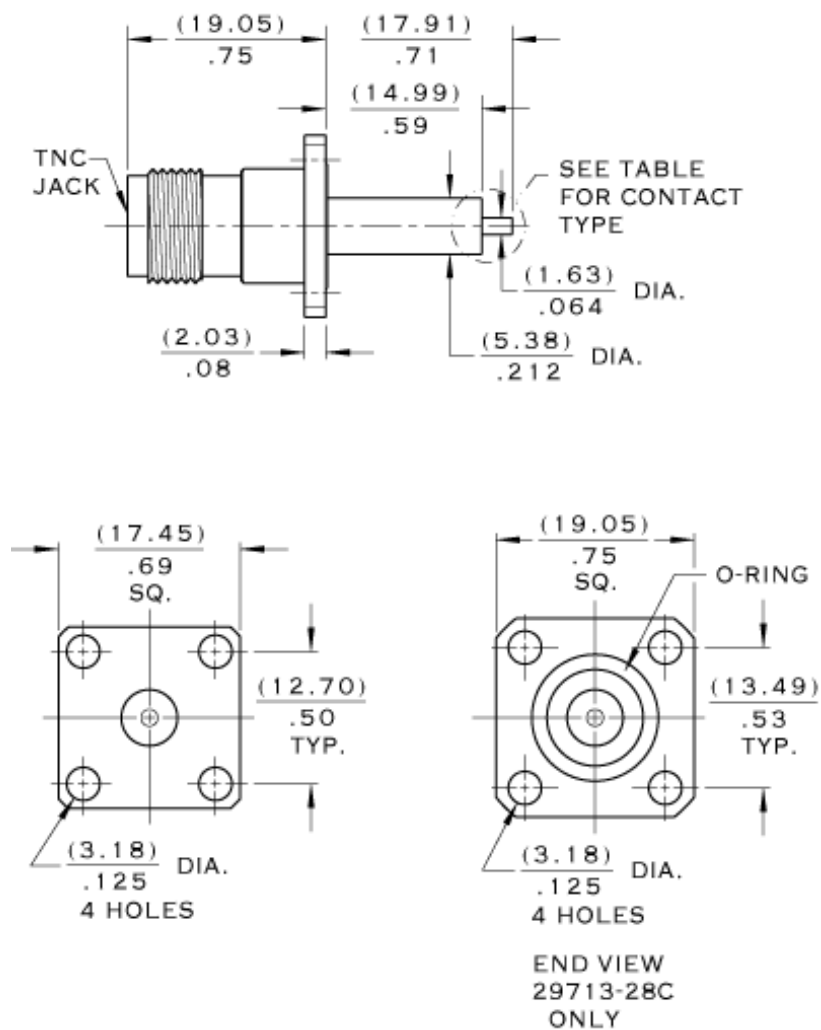
Fax: (732) 560-9570

support@astrolab.com

Search: in


precision TNC jack, flanged - 29713

[Catalog Home](#) -> [Microwave Connectors](#) -> [TNC Interface](#) -> [Panel Mount Connectors](#) -> precision TNC jack, flanged - 29713

**precision TNC jack, flanged
29713**


- frequency 18 GHz max.
- figure [T1 flange](#) detail

PART NO.	CONTACT TYPE
29713-17*	3AS
29713-17C	3AS
29713-28C	3AS

* non-captivated

Select Part No.:

[Click here](#) to view your cart.

Browse By Category

[Catalog Home](#)

[Microwave Cable Assemblies](#)

[Microwave Cable](#)

[Microwave Connectors](#)

[Contacts](#)

[Adaptors Between Series](#)

[Surge Protection Adaptors](#)

[Phase Shifters](#)

[Other Passive Components](#)

Tel: (732) 560-3800

Fax: (732) 560-9570

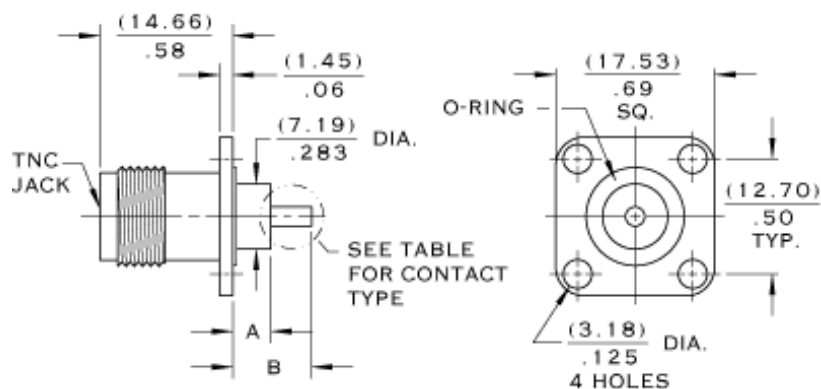
support@astrolab.com

Search:

in


hermetic TNC jack, flanged - 29713GG

[Catalog Home](#) -> [Microwave Connectors](#) -> [TNC Interface](#) -> [Panel Mount Connectors](#) -> hermetic TNC jack, flanged - 29713GG

**hermetic TNC jack, flanged
29713GG**


- frequency 10 GHz max.
- figure [T2 flange](#) detail

PART NO.	CONTACT TYPE	A		B	
		IN.	MM	IN.	MM
29713GG-1	1B	.165	4.19	.380	9.65
29713GG-2	2CS*	.542	13.77	.604	15.34
29713GG-3	5B	.000	0.00	.100	2.54
29713GG-4	3B	.000	0.00	.062	1.57
29713GG-5	3B	.000	0.00	.093	2.36
29713GG-6	3B	.000	0.00	.125	3.18
29713GG-7	5B	.350	8.89	.450	11.43
29713GG-9	2B	.000	0.00	.050	1.27
29713GG-10	S3*	.000	0.00	.680	17.27
29713GG-11-1	2S1*	.000	0.00	.300	7.62
29713GG-11-2	2S2*	.000	0.00	.300	7.62
29713GG-12	3CS*	.000	0.00	.170	4.32
29713GG-14	3B	.350	8.89	.625	15.88
29713GG-15	3B	.350	8.89	.675	17.15
29713GG-16	**	.000	0.00	.080	2.03

* specials

** .032 (0.81) dia. round ended pin

Select Part No.:

[Click here](#) to view your cart.

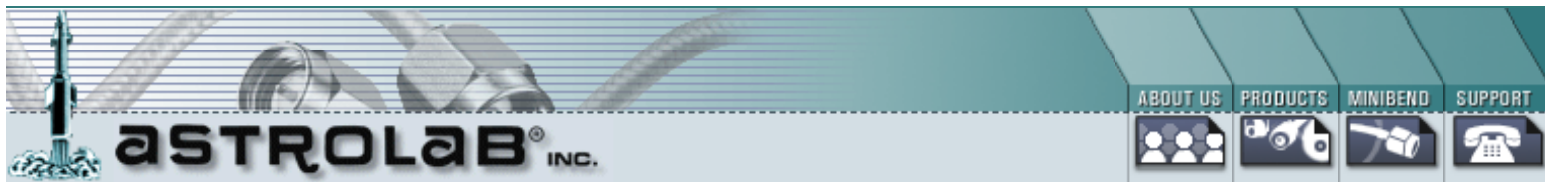
Browse By Category

[Catalog Home](#)
[Microwave Cable Assemblies](#)
[Microwave Cable](#)
[Microwave Connectors](#)
[Contacts](#)

[Adaptors Between Series](#)
[Surge Protection Adaptors](#)
[Phase Shifters](#)
[Other Passive Components](#)

Search:

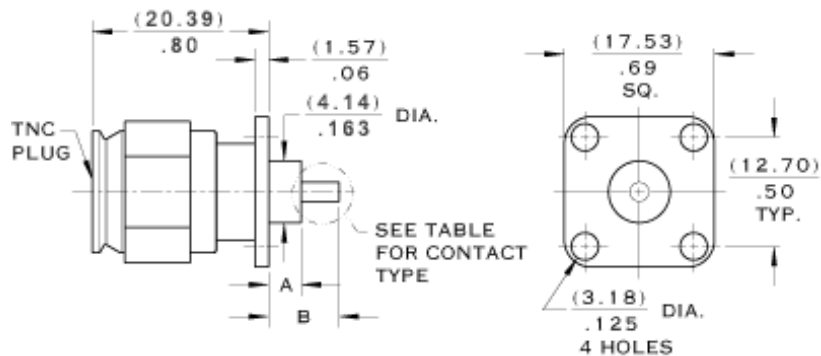
in



precision TNC plug, flanged - 29723

[Catalog Home](#) -> [Microwave Connectors](#) -> [TNC Interface](#) -> [Panel Mount Connectors](#) -> precision TNC plug, flanged - 29723

precision TNC plug, flanged 29723



- frequency 18 GHz max.
- figure [T2 flange](#) detail

PART NO.	CONTACT TYPE	A		B	
		IN.	MM	IN.	MM
29723-1C	1C	.165	4.19	.380	9.65
29723-2C	2C	.000	0.00	.060	1.52
29723-3C	5C	.000	0.00	.100	2.54
29723-4C	3C	.000	0.00	.062	1.57
29723-5C	3C	.000	0.00	.093	2.36
29723-6C	3C	.000	0.00	.125	3.18
29723-7C	5C	.350	8.89	.400	10.16
29723-8C	1C	.000	0.00	.050	1.27
29723-9C	2C	.000	0.00	.050	1.27
29723-11C	8C	.000	0.00	.000	0.00

Select Part No.:

[Click here](#) to view your cart.

Browse By Category

[Catalog Home](#)
[Microwave Cable Assemblies](#)
[Microwave Cable](#)
[Microwave Connectors](#)
[Contacts](#)

[Adaptors Between Series](#)
[Surge Protection Adaptors](#)
[Phase Shifters](#)
[Other Passive Components](#)

Tel: (732) 560-3800

Fax: (732) 560-9570

support@astrolab.com

Search: in