

Panel Mount Connectors

[Catalog Home](#) -> [Microwave Connectors](#) -> [SSMA Interface](#) -> Panel Mount Connectors

Please continue your selection below:

- [90° sweep SSMA jack, flanged - 29401](#)
- [90° sweep SSMA plug, flanged - 29402](#)
- [SSMA jack, bulkhead - 29172](#)
- [SSMA jack, flanged - 29109](#)
- [SSMA jack, flanged - 29196](#)
- [SSMA plug, flanged - 29126](#)
- [SSMA plug, flanged - 29195](#)

Browse By Category

[Catalog Home](#)

[Microwave Cable Assemblies](#)

[Microwave Cable](#)

[Microwave Connectors](#)

[Contacts](#)

[Adaptors Between Series](#)

[Surge Protection Adaptors](#)

[Phase Shifters](#)

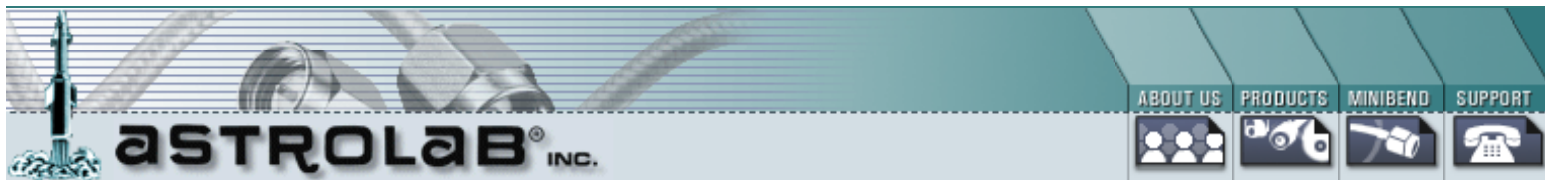
[Other Passive Components](#)

Tel: (732) 560-3800

Fax: (732) 560-9570

support@astrolab.com

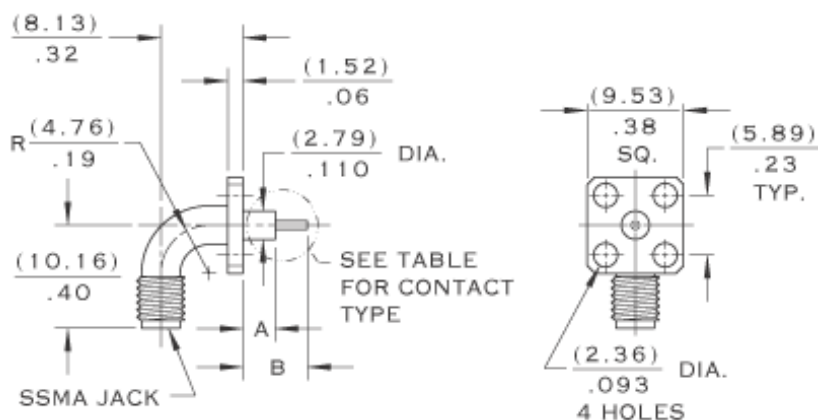
Search: _____ in _____



90° sweep SSMA jack, flanged - 29401

[Catalog Home](#) -> [Microwave Connectors](#) -> [SSMA Interface](#) -> [Panel Mount Connectors](#) -> 90° sweep SSMA jack, flanged - 29401

90° sweep SSMA jack, flanged 29401



- frequency 35 GHz max.
- figure [S1 flange](#) detail

PART NO.	CONTACT TYPE	A		B	
		IN.	MM	IN.	MM
29401-1	1D	.125	3.18	.250	6.35
29401-2	3F	.375	9.53	.500	12.70
29401-3	4F	.000	0.00	.100	2.54
29401-4	5F	.000	0.00	.100	2.54

Select Part No.:

[Click here](#) to view your cart.

Browse By Category

[Catalog Home](#)

[Microwave Cable Assemblies](#)

[Microwave Cable](#)

[Microwave Connectors](#)

[Contacts](#)

[Adaptors Between Series](#)

[Surge Protection Adaptors](#)

[Phase Shifters](#)

[Other Passive Components](#)

Tel: (732) 560-3800

Fax: (732) 560-9570

support@astrolab.com

Search:

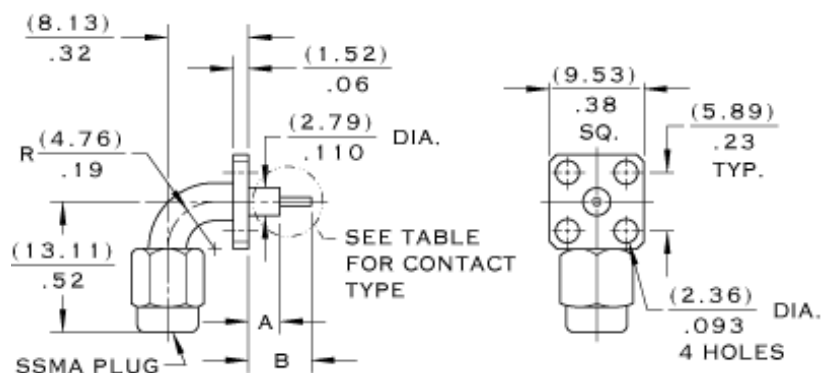
in



90° sweep SSMA plug, flanged - 29402

[Catalog Home](#) -> [Microwave Connectors](#) -> [SSMA Interface](#) -> [Panel Mount Connectors](#) -> 90° sweep SSMA plug, flanged - 29402

90° sweep SSMA plug, flanged 29402



- frequency 35 GHz max.
- figure [S1 flange](#) detail

PART NO.	CONTACT TYPE	A		B	
		IN.	MM	IN.	MM
29402-1	1D	.125	3.18	.250	6.35
29402-2	3F	.375	9.53	.500	12.70
29402-3	4F	.000	0.00	.100	2.54
29402-4	5F	.000	0.00	.100	2.54

Select Part No.:

[Click here](#) to view your cart.

Browse By Category

[Catalog Home](#)
[Microwave Cable Assemblies](#)
[Microwave Cable](#)
[Microwave Connectors](#)
[Contacts](#)

[Adaptors Between Series](#)
[Surge Protection Adaptors](#)
[Phase Shifters](#)
[Other Passive Components](#)

Tel: (732) 560-3800

Fax: (732) 560-9570

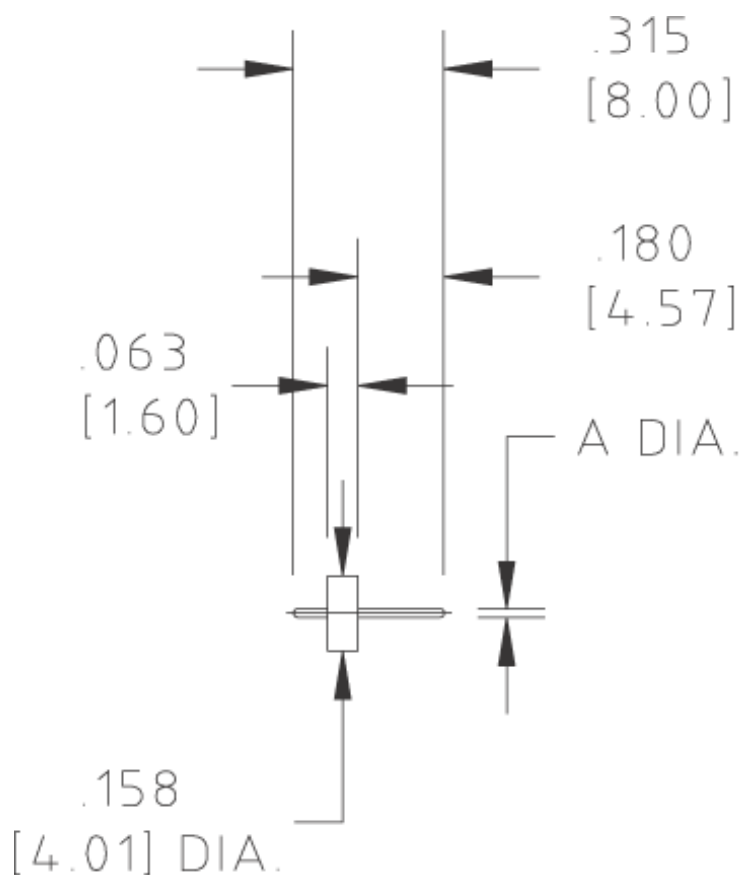
support@astrolab.com

Search:

in


SSMA jack, bulkhead - 29172

[Catalog Home](#) -> [Microwave Connectors](#) -> [SSMA Interface](#) -> [Panel Mount Connectors](#) -> SSMA jack, bulkhead - 29172

**SSMA jack, bulkhead
29172**


OPTIONAL
GLASS SEAL
(SEE TABLE)

- frequency 36 GHz max.

PART NO.	GLASS SEAL P/N	A		L	
		IN.	MM	IN.	MM
29172	1805-2	.018	0.46	.425	10.80
29172-1	1805-3	.020	0.51	.549	13.94
29172-2	1805-3	.020	0.51	.425	10.80

Select Part No.:

[Click here](#) to view your cart.

Browse By Category

[Catalog Home](#)

[Microwave Cable Assemblies](#)

[Microwave Cable](#)

[Microwave Connectors](#)

[Contacts](#)

[Adaptors Between Series](#)

[Surge Protection Adaptors](#)

[Phase Shifters](#)

[Other Passive Components](#)

Tel: (732) 560-3800

Fax: (732) 560-9570

support@astrolab.com

Search:

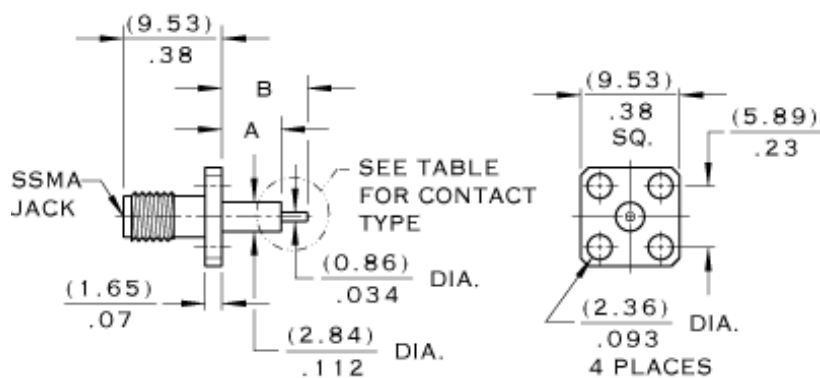
in



SSMA jack, flanged - 29109

[Catalog Home](#) -> [Microwave Connectors](#) -> [SSMA Interface](#) -> [Panel Mount Connectors](#) -> SSMA jack, flanged - 29109

SSMA jack, flanged 29109



- frequency 36 GHz max.
- figure [S1 flange](#) detail

PART NO.	CONTACT TYPE	A		B	
		IN.	MM	IN.	MM
29109-1C	1D	.035	0.89	.200	5.08
29109-2C	3F	.375	9.53	.500	12.70
29109-3C	4F	.000	0.00	.100	2.54
29109-4C	5F	.000	0.00	.100	2.54
29109-5C	3F	.040	1.02	.070	1.96

Select Part No.:

[Click here](#) to view your cart.

Browse By Category

[Catalog Home](#)

[Microwave Cable Assemblies](#)

[Microwave Cable](#)

[Microwave Connectors](#)

[Contacts](#)

[Adaptors Between Series](#)

[Surge Protection Adaptors](#)

[Phase Shifters](#)

[Other Passive Components](#)

Tel: (732) 560-3800

Fax: (732) 560-9570

support@astrolab.com

Search:

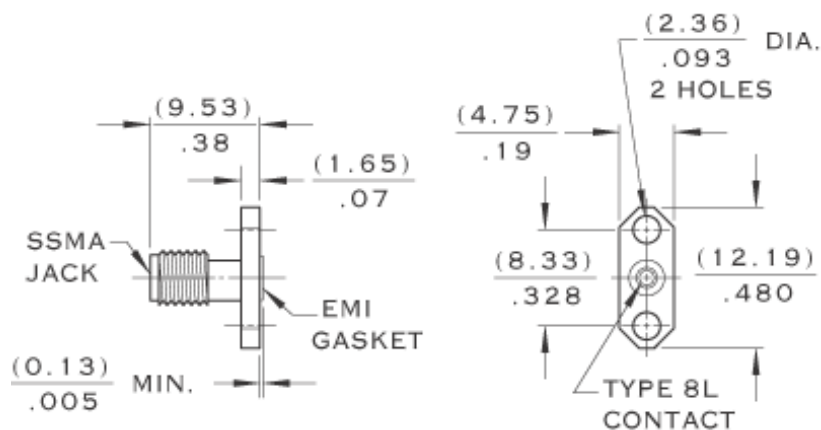
in



SSMA jack, flanged - 29196

[Catalog Home](#) -> [Microwave Connectors](#) -> [SSMA Interface](#) -> [Panel Mount Connectors](#) -> SSMA jack, flanged - 29196

SSMA jack, flanged 29196



- frequency 36 GHz max.
- figure [S1A flange](#) detail

Add this item to my cart.

[Click here](#) to view your cart.

Browse By Category

[Catalog Home](#)

[Microwave Cable Assemblies](#)

[Microwave Cable](#)

[Microwave Connectors](#)

[Contacts](#)

[Adaptors Between Series](#)

[Surge Protection Adaptors](#)

[Phase Shifters](#)

[Other Passive Components](#)

Tel: (732) 560-3800

Fax: (732) 560-9570

support@astrolab.com

Search:

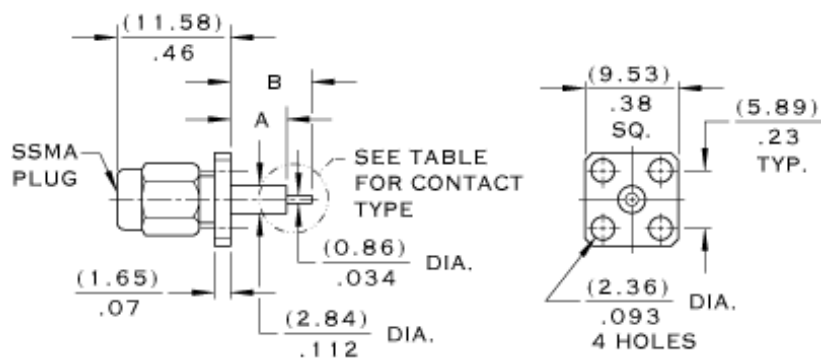
in



SSMA plug, flanged - 29126

[Catalog Home](#) -> [Microwave Connectors](#) -> [SSMA Interface](#) -> [Panel Mount Connectors](#) -> SSMA plug, flanged - 29126

SSMA plug, flanged 29126



- frequency 36 GHz max.
- figure [S1 flange](#) detail

PART NO.	CONTACT TYPE	A		B	
		IN.	MM	IN.	MM
29126-1	1F	.035	0.89	.200	5.08
29126-2	3F	.375	9.53	.500	12.70
29126-3	4F	.000	0.00	.100	2.54
29126-4	5F	.000	0.00	.100	2.54

Select Part No.:

[Click here](#) to view your cart.

Browse By Category

[Catalog Home](#)

[Microwave Cable Assemblies](#)

[Microwave Cable](#)

[Microwave Connectors](#)

[Contacts](#)

[Adaptors Between Series](#)

[Surge Protection Adaptors](#)

[Phase Shifters](#)

[Other Passive Components](#)

Tel: (732) 560-3800

Fax: (732) 560-9570

support@astrolab.com

Search:

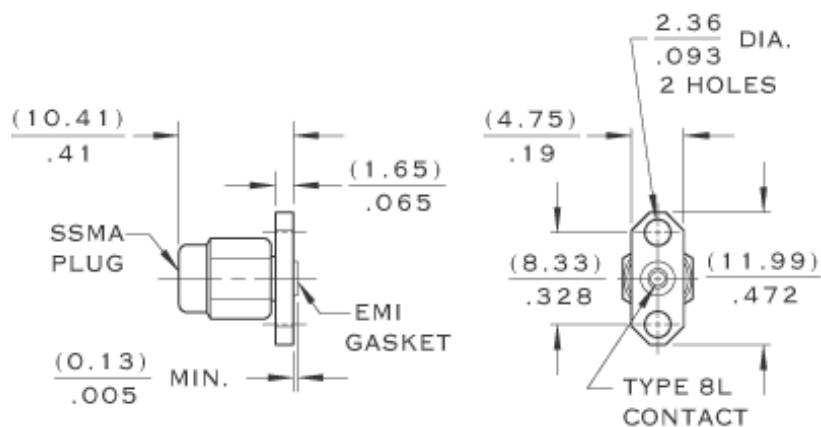
in



SSMA plug, flanged - 29195

[Catalog Home](#) -> [Microwave Connectors](#) -> [SSMA Interface](#) -> [Panel Mount Connectors](#) -> SSMA plug, flanged - 29195

SSMA plug, flanged 29195



- frequency 36 GHz max.
- figure [S1A flange](#) detail

Add this item to my cart.

[Click here](#) to view your cart.

Browse By Category

[Catalog Home](#)
[Microwave Cable Assemblies](#)
[Microwave Cable](#)
[Microwave Connectors](#)
[Contacts](#)

[Adaptors Between Series](#)
[Surge Protection Adaptors](#)
[Phase Shifters](#)
[Other Passive Components](#)

Tel: (732) 560-3800

Fax: (732) 560-9570

support@astrolab.com

Search: in