


[ABOUT US](#)
[PRODUCTS](#)
[MINIBEND](#)
[SUPPORT](#)


Panel Mount Connectors

[Catalog Home](#) -> [Microwave Connectors](#) -> [SMA Interface](#) -> Panel Mount Connectors

Please continue your selection below:

- [right angle SMA jack, flanged - 29214](#)
- [90° sweep SMA jack, flanged - 29501](#)
- [90° sweep SMA jack, flanged - 29501-16L](#)
- [90° sweep SMA jack, flanged - 29501-16R](#)
- [90° sweep SMA jack, flanged - 29522](#)
- [90° sweep SMA jack, flanged - 29521](#)
- [90° sweep SMA jack, flanged - 29520](#)
- [90° sweep SMA jack, flanged - 29504](#)
- [90° sweep SMA plug, flanged - 29502-16L](#)
- [90° sweep SMA plug, flanged - 29502-16R](#)
- [90° sweep SMA plug, flanged - 29502-22](#)
- [SMA jack, bulkhead - 29015-0](#)
- [SMA jack, bulkhead - 29027](#)
- [SMA jack, bulkhead, knurled - 29027](#)
- [SMA jack, bulkhead, flanged - 29023-0](#)
- [SMA plug, bulkhead - 29028](#)
- [SMA jack, flanged - 29194-2](#)
- [SMA jack, flanged - 29194-3](#)
- [SMA jack, flanged - 29031](#)
- [SMA jack, flanged - 29073](#)
- [SMA jack, flanged - 29072](#)
- [SMA jack, flanged - 29157](#)
- [SMA jack, flanged - 29048](#)
- [SMA jack, flanged - 29198](#)
- [SMA jack, flanged - 29050](#)
- [SMA jack, flanged - 29054](#)
- [SMA plug, flanged - 29049](#)
- [right angle SMA jack, flanged - 29078](#)

Browse By Category

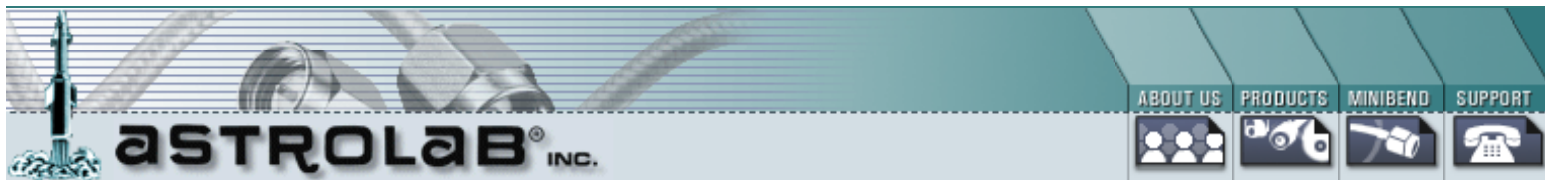
[Catalog Home](#)
[Microwave Cable Assemblies](#)
[Microwave Cable](#)
[Microwave Connectors](#)
[Contacts](#)
[Adaptors Between Series](#)
[Surge Protection Adaptors](#)
[Phase Shifters](#)
[Other Passive Components](#)

Tel: (732) 560-3800

Fax: (732) 560-9570

support@astrolab.com

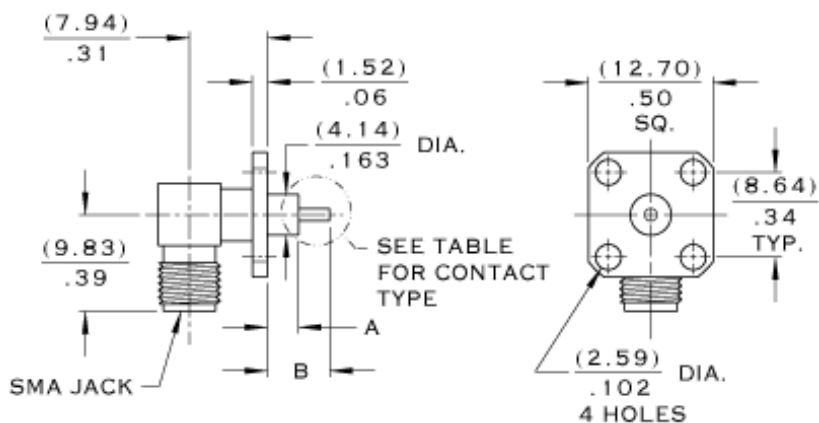
Search: in



right angle SMA jack, flanged - 29214

[Catalog Home](#) -> [Microwave Connectors](#) -> [SMA Interface](#) -> [Panel Mount Connectors](#) -> right angle SMA jack, flanged - 29214

right angle SMA jack, flanged 29214



- frequency 25 GHz max.
- figure [S3 flange](#) detail

PART NO.	CONTACT TYPE	A		B	
		IN.	MM	IN.	MM
29214-9	8C	.000	.000	.000	0.00
29214-10	5C	.000	.000	.100	2.54
29214-11	3C	.590	14.99	.705	17.91

Select Part No.:

[Click here](#) to view your cart.

Browse By Category

[Catalog Home](#)

[Microwave Cable Assemblies](#)

[Microwave Cable](#)

[Microwave Connectors](#)

[Contacts](#)

[Adaptors Between Series](#)

[Surge Protection Adaptors](#)

[Phase Shifters](#)

[Other Passive Components](#)

Tel: (732) 560-3800

Fax: (732) 560-9570

support@astrolab.com

Search:

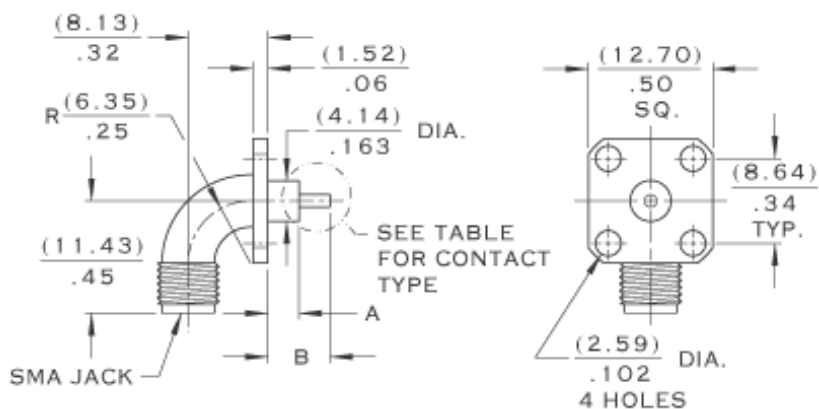
in



90° sweep SMA jack, flanged - 29501

[Catalog Home](#) -> [Microwave Connectors](#) -> [SMA Interface](#) -> [Panel Mount Connectors](#) -> 90° sweep SMA jack, flanged - 29501

90° sweep SMA jack, flanged 29501



- frequency 25 GHz max.
- figure [S3 flange](#) detail

PART NO.	CONTACT TYPE	A		B	
		IN.	MM	IN.	MM
29501-4	8C	.000	.000	.000	0.00
29501-21	5C	.000	.000	.100	2.54
29501-26	3C	.590	14.99	.705	17.91

Select Part No.:

[Click here](#) to view your cart.

Browse By Category

[Catalog Home](#)

[Microwave Cable Assemblies](#)

[Microwave Cable](#)

[Microwave Connectors](#)

[Contacts](#)

[Adaptors Between Series](#)

[Surge Protection Adaptors](#)

[Phase Shifters](#)

[Other Passive Components](#)

Tel: (732) 560-3800

Fax: (732) 560-9570

support@astrolab.com

Search:

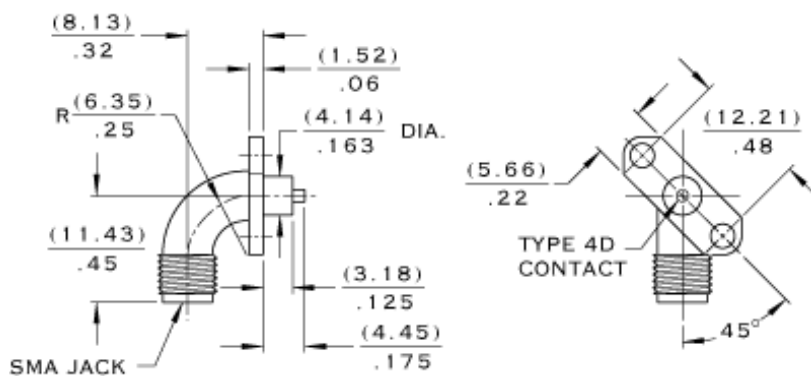
in



90° sweep SMA jack, flanged - 29501-16L

[Catalog Home](#) -> [Microwave Connectors](#) -> [SMA Interface](#) -> [Panel Mount Connectors](#) -> 90° sweep SMA jack, flanged - 29501-16L

90° sweep SMA jack, flanged 29501-16L



- frequency 25 GHz max.
- figure [S2 flange](#) detail

Add this item to my cart.

[Click here](#) to view your cart.

Browse By Category

[Catalog Home](#)
[Microwave Cable Assemblies](#)
[Microwave Cable](#)
[Microwave Connectors](#)
[Contacts](#)

[Adaptors Between Series](#)
[Surge Protection Adaptors](#)
[Phase Shifters](#)
[Other Passive Components](#)

Tel: (732) 560-3800

Fax: (732) 560-9570

support@astrolab.com

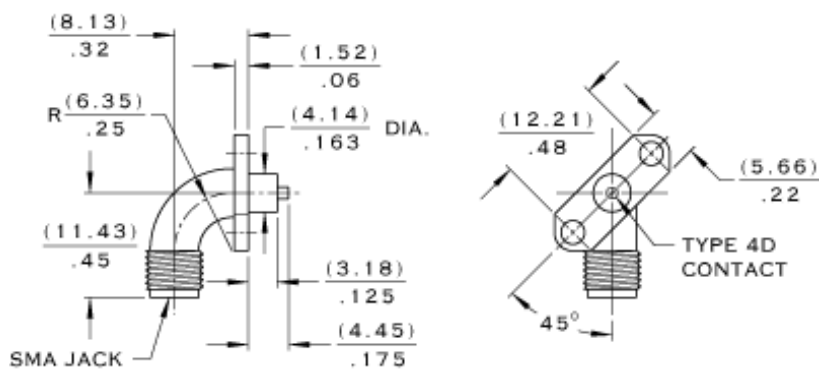
Search: in



90° sweep SMA jack, flanged - 29501-16R

[Catalog Home](#) -> [Microwave Connectors](#) -> [SMA Interface](#) -> [Panel Mount Connectors](#) -> 90° sweep SMA jack, flanged - 29501-16R

90° sweep SMA jack, flanged 29501-16R



- frequency 25 GHz max.
- figure [S2 flange](#) detail

Add this item to my cart.

[Click here](#) to view your cart.

Browse By Category

[Catalog Home](#)

[Microwave Cable Assemblies](#)

[Microwave Cable](#)

[Microwave Connectors](#)

[Contacts](#)

[Adaptors Between Series](#)

[Surge Protection Adaptors](#)

[Phase Shifters](#)

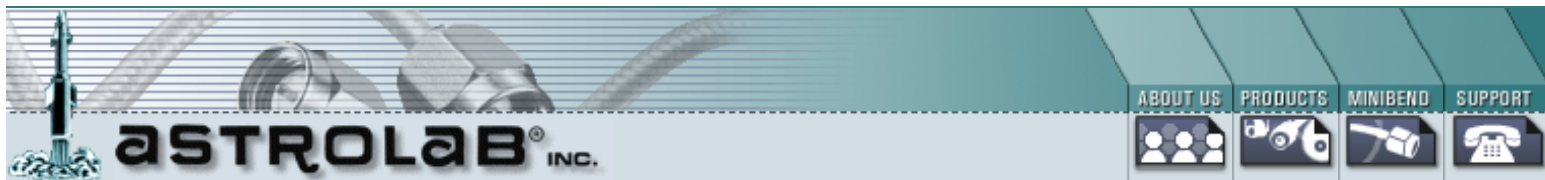
[Other Passive Components](#)

Tel: (732) 560-3800

Fax: (732) 560-9570

support@astrolab.com

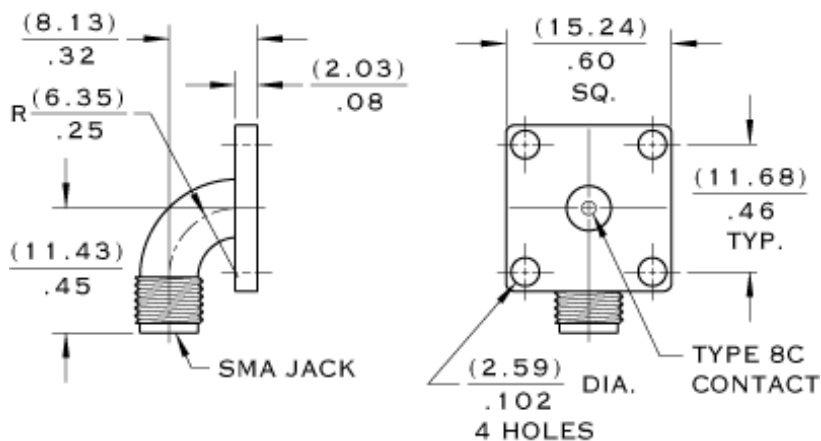
Search: in



90° sweep SMA jack, flanged - 29522

[Catalog Home](#) -> [Microwave Connectors](#) -> [SMA Interface](#) -> [Panel Mount Connectors](#) -> 90° sweep SMA jack, flanged - 29522

90° sweep SMA jack, flanged 29522



- frequency 25 GHz max.
- [flange](#) detail as shown

Add this item to my cart.

[Click here](#) to view your cart.

Browse By Category

[Catalog Home](#)
[Microwave Cable Assemblies](#)
[Microwave Cable](#)
[Microwave Connectors](#)
[Contacts](#)

[Adaptors Between Series](#)
[Surge Protection Adaptors](#)
[Phase Shifters](#)
[Other Passive Components](#)

Tel: (732) 560-3800

Fax: (732) 560-9570

support@astrolab.com

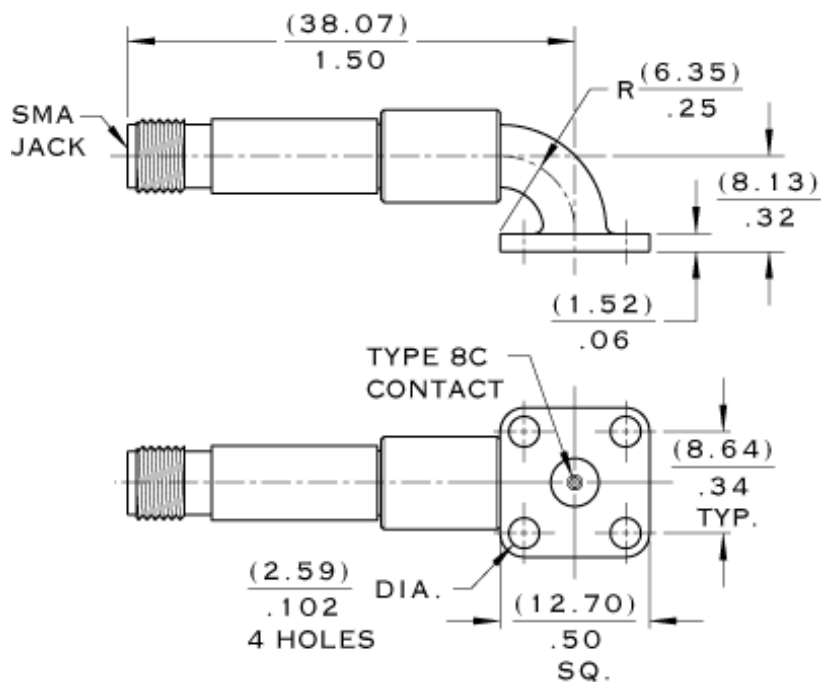
Search: _____ in _____



90° sweep SMA jack, flanged - 29520

[Catalog Home](#) -> [Microwave Connectors](#) -> [SMA Interface](#) -> [Panel Mount Connectors](#) -> 90° sweep SMA jack, flanged - 29520

90° sweep SMA jack, flanged 29520



- frequency 25 GHz max.
- figure [S3 flange](#) detail

Add this item to my cart.

[Click here](#) to view your cart.

Browse By Category

[Catalog Home](#)
[Microwave Cable Assemblies](#)
[Microwave Cable](#)
[Microwave Connectors](#)
[Contacts](#)

[Adaptors Between Series](#)
[Surge Protection Adaptors](#)
[Phase Shifters](#)
[Other Passive Components](#)

Tel: (732) 560-3800

Fax: (732) 560-9570

support@astrolab.com

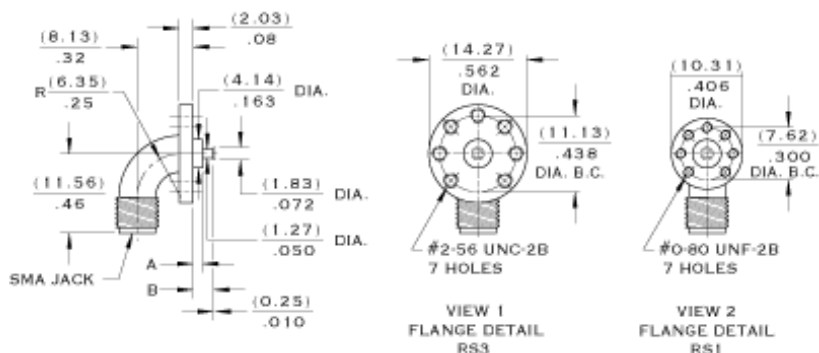
Search: in



90° sweep SMA jack, flanged - 29504

[Catalog Home](#) -> [Microwave Connectors](#) -> [SMA Interface](#) -> [Panel Mount Connectors](#) -> 90° sweep SMA jack, flanged - 29504

90° sweep SMA jack, flanged 29504



- frequency 25 GHz max.
- plug in contact
- [flanged](#)

PART NO.	A		B		VIEW
	IN.	MM	IN.	MM	
29504-1	.000	0.00	.062	1.57	1
29504-2	.000	0.00	.032	0.81	1
29504-3	.000	0.00	.125	3.18	1
29504-4	.000	0.00	.062	1.57	2
29504-5	.000	0.00	.032	0.81	2
29504-6	.000	0.00	.125	3.18	2
29504-7	.000	0.00	.045	1.14	2
29504-8	.062	1.57	.062	1.57	1

Select Part No.:

[Click here](#) to view your cart.

Browse By Category

[Catalog Home](#)
[Microwave Cable Assemblies](#)
[Microwave Cable](#)
[Microwave Connectors](#)
[Contacts](#)

[Adaptors Between Series](#)
[Surge Protection Adaptors](#)
[Phase Shifters](#)
[Other Passive Components](#)

Tel: (732) 560-3800

Fax: (732) 560-9570

support@astrolab.com

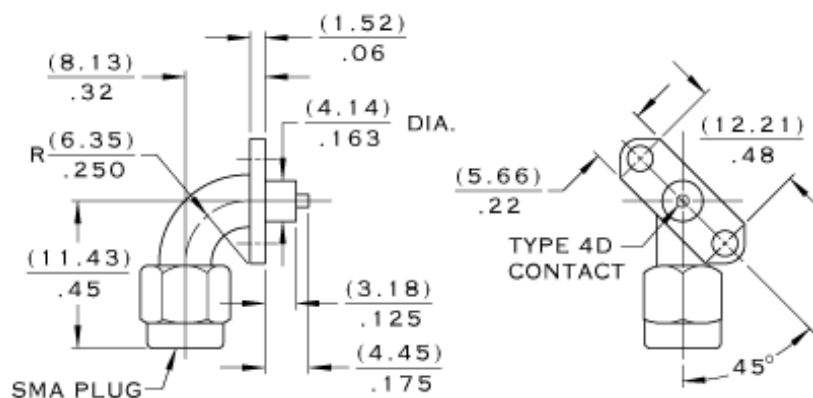
Search: in



90° sweep SMA plug, flanged - 29502-16L

[Catalog Home](#) -> [Microwave Connectors](#) -> [SMA Interface](#) -> [Panel Mount Connectors](#) -> 90° sweep SMA plug, flanged - 29502-16L

90° sweep SMA plug, flanged 29502-16L



- frequency 25 GHz max.
- figure [S2 flange](#) detail

Add this item to my cart.

[Click here](#) to view your cart.

Browse By Category

[Catalog Home](#)

[Microwave Cable Assemblies](#)

[Microwave Cable](#)

[Microwave Connectors](#)

[Contacts](#)

[Adaptors Between Series](#)

[Surge Protection Adaptors](#)

[Phase Shifters](#)

[Other Passive Components](#)

Tel: (732) 560-3800

Fax: (732) 560-9570

support@astrolab.com

Search:

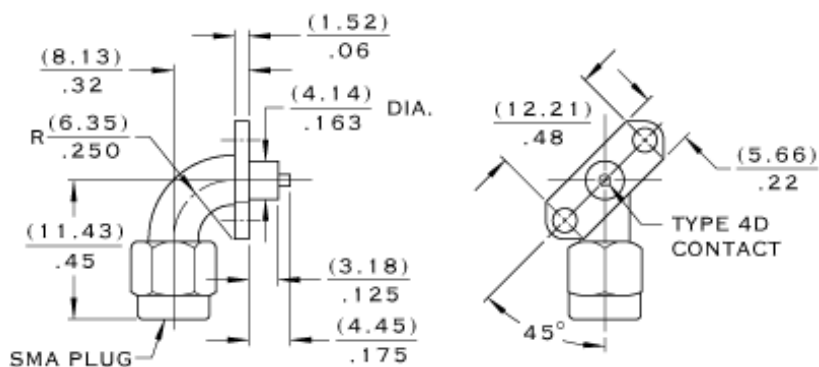
in



90° sweep SMA plug, flanged - 29502-16R

[Catalog Home](#) -> [Microwave Connectors](#) -> [SMA Interface](#) -> [Panel Mount Connectors](#) -> 90° sweep SMA plug, flanged - 29502-16R

90° sweep SMA plug, flanged 29502-16R



- frequency 25 GHz max.
- figure [S2 flange](#) detail

Add this item to my cart.

[Click here](#) to view your cart.

Browse By Category

[Catalog Home](#)

[Microwave Cable Assemblies](#)

[Microwave Cable](#)

[Microwave Connectors](#)

[Contacts](#)

[Adaptors Between Series](#)

[Surge Protection Adaptors](#)

[Phase Shifters](#)

[Other Passive Components](#)

Tel: (732) 560-3800

Fax: (732) 560-9570

support@astrolab.com

Search:

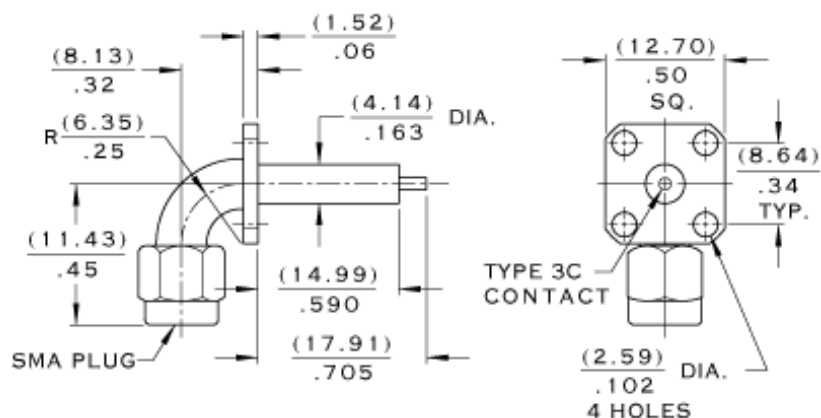
in



90° sweep SMA plug, flanged - 29502-22

[Catalog Home](#) -> [Microwave Connectors](#) -> [SMA Interface](#) -> [Panel Mount Connectors](#) -> 90° sweep SMA plug, flanged - 29502-22

90° sweep SMA plug, flanged 29502-22



- frequency 25 GHz max.
- figure [S3 flange](#) detail

Add this item to my cart.

[Click here](#) to view your cart.

Browse By Category

[Catalog Home](#)

[Microwave Cable Assemblies](#)

[Microwave Cable](#)

[Microwave Connectors](#)

[Contacts](#)

[Adaptors Between Series](#)

[Surge Protection Adaptors](#)

[Phase Shifters](#)

[Other Passive Components](#)

Tel: (732) 560-3800

Fax: (732) 560-9570

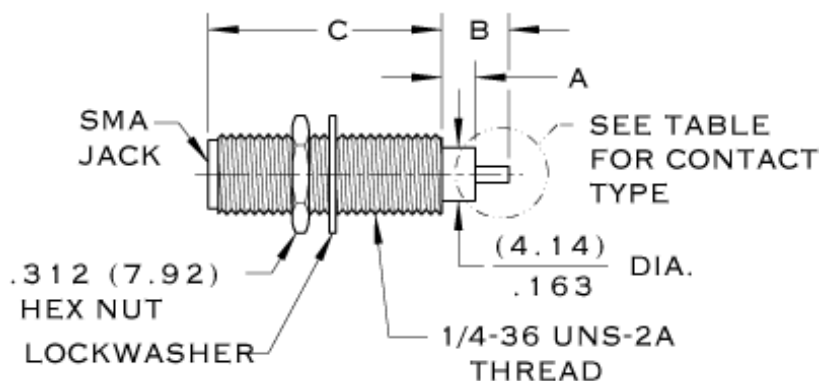
support@astrolab.com

Search:

in


SMA jack, bulkhead - 29015-0

[Catalog Home](#) -> [Microwave Connectors](#) -> [SMA Interface](#) -> [Panel Mount Connectors](#) -> SMA jack, bulkhead - 29015-0

**SMA jack, bulkhead
29015-0**


- frequency 25 GHz max.

PART NO.	CONTACT TYPE	A		B		C	
		IN.	MM	IN.	MM	IN.	MM
29015-0-1C	3C	.076	1.93	.138	3.51	.700	17.78
29015-0-9C	3C	.000	0.00	.160	4.06	.500	12.70
*29015-0-9CHT	3C	.074	1.9	.161	4.1	.500	12.70

*High Vibration Application

Select Part No.:

[Click here](#) to view your cart.

Browse By Category

[Catalog Home](#)

[Microwave Cable Assemblies](#)

[Microwave Cable](#)

[Microwave Connectors](#)

[Contacts](#)

[Adaptors Between Series](#)

[Surge Protection Adaptors](#)

[Phase Shifters](#)

[Other Passive Components](#)

Tel: (732) 560-3800

Fax: (732) 560-9570

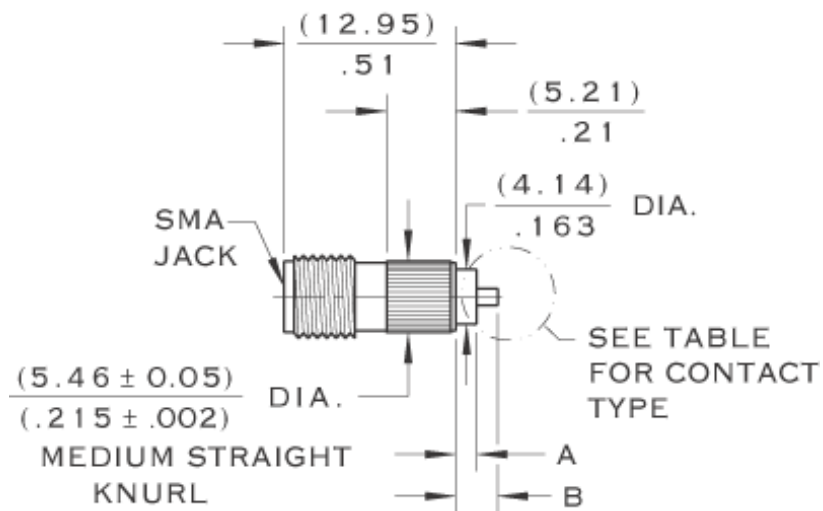
support@astrolab.com

Search:

in


SMA jack, bulkhead, knurled - 29027

[Catalog Home](#) -> [Microwave Connectors](#) -> [SMA Interface](#) -> [Panel Mount Connectors](#) -> SMA jack, bulkhead, knurled - 29027

**SMA jack, bulkhead, knurled
29027**


- frequency 25 GHz max.

PART NO.	CONTACT TYPE	A		B	
		IN.	MM	IN.	MM
29027-11	5D	.000	0.00	.100	2.54
29027-12	5C	.000	0.00	.100	2.54

Select Part No.:

[Click here](#) to view your cart.

Browse By Category

[Catalog Home](#)

[Microwave Cable Assemblies](#)

[Microwave Cable](#)

[Microwave Connectors](#)

[Contacts](#)

[Adaptors Between Series](#)

[Surge Protection Adaptors](#)

[Phase Shifters](#)

[Other Passive Components](#)

Tel: (732) 560-3800

Fax: (732) 560-9570

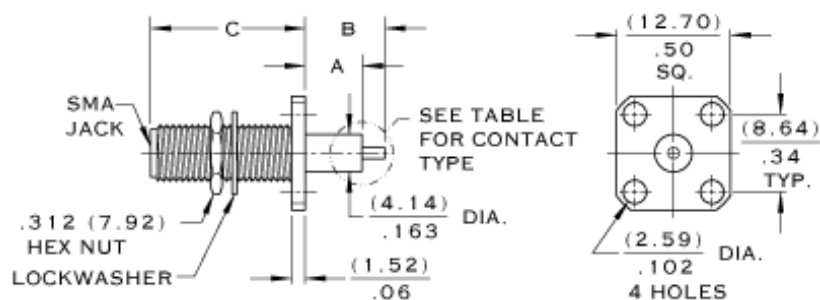
support@astrolab.com

Search:

in


SMA jack, bulkhead, flanged - 29023-0

[Catalog Home](#) -> [Microwave Connectors](#) -> [SMA Interface](#) -> [Panel Mount Connectors](#) -> SMA jack, bulkhead, flanged - 29023-0

**SMA jack, bulkhead, flanged
29023-0**


- frequency 25 GHz max.
- figure [S3 flange](#) detail

PART NO.	CONTACT TYPE	A		B		C	
		IN.	MM	IN.	MM	IN.	MM
29023-0-6	3C	.150	3.81	.200	5.08	1.062	26.97
29023-0-8	8C	.000	0.00	.000	0.00	.680	17.27

Select Part No.:

[Click here](#) to view your cart.

Browse By Category

[Catalog Home](#)

[Microwave Cable Assemblies](#)

[Microwave Cable](#)

[Microwave Connectors](#)

[Contacts](#)

[Adaptors Between Series](#)

[Surge Protection Adaptors](#)

[Phase Shifters](#)

[Other Passive Components](#)

Tel: (732) 560-3800

Fax: (732) 560-9570

support@astrolab.com

Search:

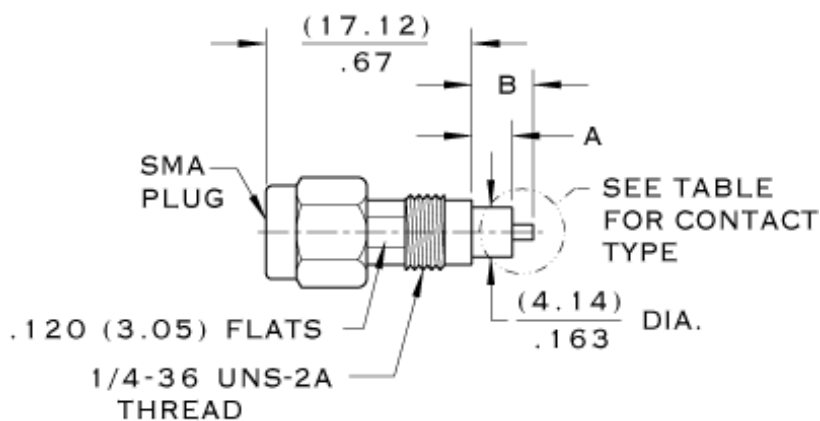
in



SMA plug, bulkhead - 29028

[Catalog Home](#) -> [Microwave Connectors](#) -> [SMA Interface](#) -> [Panel Mount Connectors](#) -> SMA plug, bulkhead - 29028

SMA plug, bulkhead 29028



- frequency 25 GHz max.

PART NO.	CONTACT TYPE	A		B	
		IN.	MM	IN.	MM
29028-1C	3C	.150	3.81	.200	5.08
29028-2C	3C	.500	12.70	.550	13.97

Select Part No.:

[Click here](#) to view your cart.

Browse By Category

[Catalog Home](#)

[Microwave Cable Assemblies](#)

[Microwave Cable](#)

[Microwave Connectors](#)

[Contacts](#)

[Adaptors Between Series](#)

[Surge Protection Adaptors](#)

[Phase Shifters](#)

[Other Passive Components](#)

Tel: (732) 560-3800

Fax: (732) 560-9570

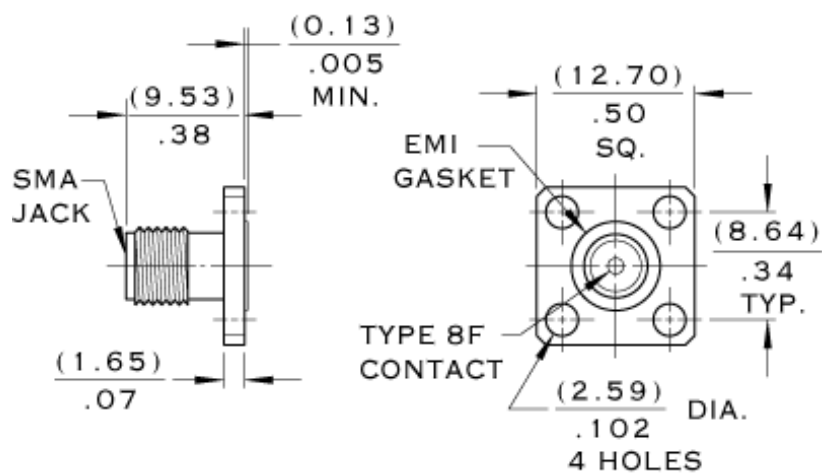
support@astrolab.com

Search:

in


SMA jack, flanged - 29194-2

[Catalog Home](#) -> [Microwave Connectors](#) -> [SMA Interface](#) -> [Panel Mount Connectors](#) -> SMA jack, flanged - 29194-2

**SMA jack, flanged
29194-2**


- frequency 25 GHz max.
- figure [S4 flange](#) detail

Add this item to my cart.

[Click here](#) to view your cart.

Browse By Category

[Catalog Home](#)

[Microwave Cable Assemblies](#)

[Microwave Cable](#)

[Microwave Connectors](#)

[Contacts](#)

[Adaptors Between Series](#)

[Surge Protection Adaptors](#)

[Phase Shifters](#)

[Other Passive Components](#)

Tel: (732) 560-3800

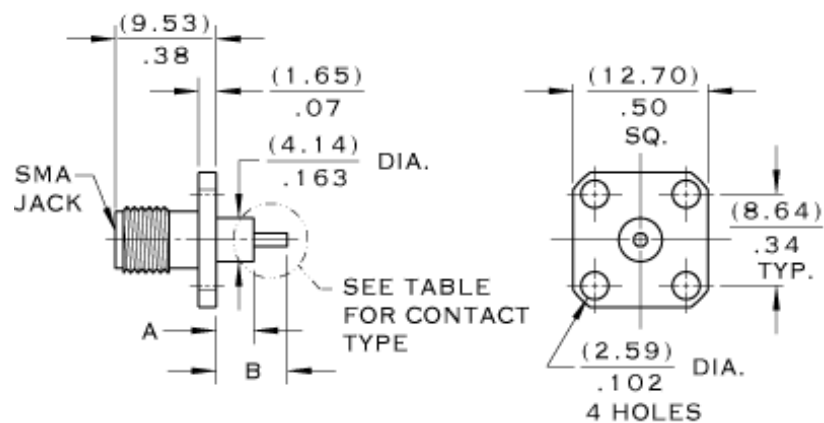
Fax: (732) 560-9570

support@astrolab.com

Search:

in


SMA jack, flanged - 29031
[Catalog Home](#) -> [Microwave Connectors](#) -> [SMA Interface](#) -> [Panel Mount Connectors](#) -> SMA jack, flanged - 29031

**SMA jack, flanged
29031**


- frequency 25 GHz max.
- figure [S3 flange](#) detail

PART NO.	CONTACT TYPE	A		B	
		IN.	MM	IN.	MM
29031-7C	3C	.350	8.89	.420	10.67
29031-19C	1C	.200	5.08	.290	7.37

Select Part No.:
[Click here](#) to view your cart.

Browse By Category

[Catalog Home](#)
[Microwave Cable Assemblies](#)
[Microwave Cable](#)
[Microwave Connectors](#)
[Contacts](#)

[Adaptors Between Series](#)
[Surge Protection Adaptors](#)
[Phase Shifters](#)
[Other Passive Components](#)

Tel: (732) 560-3800

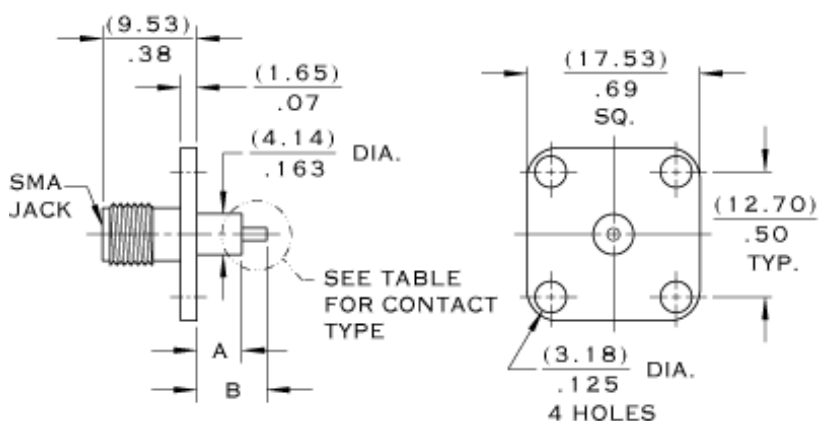
Fax: (732) 560-9570

support@astrolab.com

Search:

in


SMA jack, flanged - 29073
[Catalog Home](#) -> [Microwave Connectors](#) -> [SMA Interface](#) -> [Panel Mount Connectors](#) -> SMA jack, flanged - 29073

**SMA jack, flanged
29073**


- frequency 25 GHz max.
- figure [T1 flange](#) detail

PART NO.	CONTACT TYPE	A		B	
		IN.	MM	IN.	MM
29073-1C	2D	.000	0.00	.100	2.54
29073-3C	1C	.000	0.00	.200	5.08

Select Part No.:
[Click here](#) to view your cart.

Browse By Category
[Catalog Home](#)
[Microwave Cable Assemblies](#)
[Microwave Cable](#)
[Microwave Connectors](#)
[Contacts](#)
[Adaptors Between Series](#)
[Surge Protection Adaptors](#)
[Phase Shifters](#)
[Other Passive Components](#)

Tel: (732) 560-3800

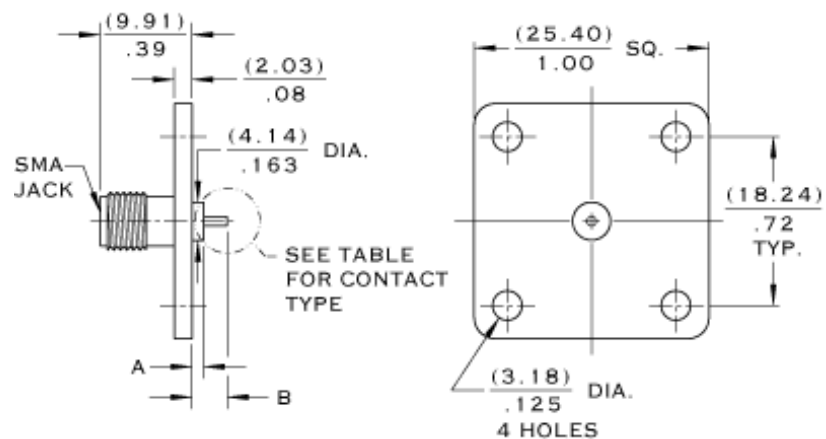
Fax: (732) 560-9570

support@astrolab.com

Search:

in


SMA jack, flanged - 29072
[Catalog Home](#) -> [Microwave Connectors](#) -> [SMA Interface](#) -> [Panel Mount Connectors](#) -> SMA jack, flanged - 29072

**SMA jack, flanged
29072**


- frequency 25 GHz max.
- figure [N2 flange](#) detail

PART NO.	CONTACT TYPE	A		B	
		IN.	MM	IN.	MM
29072-1C	2C	.000	0.00	.100	2.54
29072-2C	1C	.000	0.00	.200	5.08
29072-3C	5C	.000	0.00	.100	2.54
29072-4C	5D	.000	0.00	.100	2.54

Select Part No.:
[Click here](#) to view your cart.

Browse By Category
[Catalog Home](#)
[Microwave Cable Assemblies](#)
[Microwave Cable](#)
[Microwave Connectors](#)
[Contacts](#)
[Adaptors Between Series](#)
[Surge Protection Adaptors](#)
[Phase Shifters](#)
[Other Passive Components](#)

Tel: (732) 560-3800

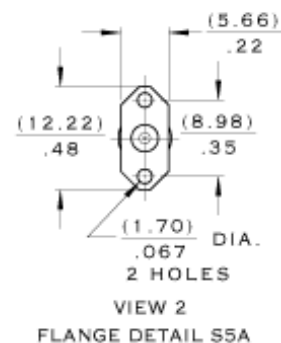
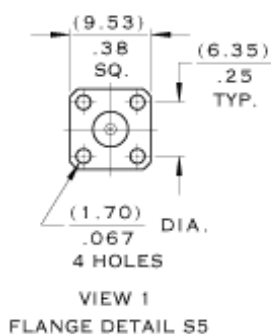
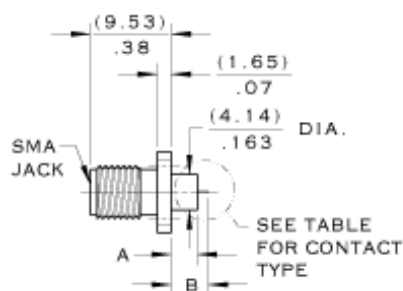
Fax: (732) 560-9570

support@astrolab.com

Search:

in


SMA jack, flanged - 29157
[Catalog Home](#) -> [Microwave Connectors](#) -> [SMA Interface](#) -> [Panel Mount Connectors](#) -> SMA jack, flanged - 29157

**SMA jack, flanged
29157**


- frequency 25 GHz max.
- [flanged](#)

PART NO.	CONTACT TYPE	A		B		VIEW
		IN.	MM	IN.	MM	
29157-1	4D	.000	0.00	.100	2.54	1
29157-2	5C	.000	0.00	.100	2.54	2

Select Part No.:
[Click here](#) to view your cart.

Browse By Category

[Catalog Home](#)
[Microwave Cable Assemblies](#)
[Microwave Cable](#)
[Microwave Connectors](#)
[Contacts](#)

[Adaptors Between Series](#)
[Surge Protection Adaptors](#)
[Phase Shifters](#)
[Other Passive Components](#)

Tel: (732) 560-3800

Fax: (732) 560-9570

support@astrolab.com

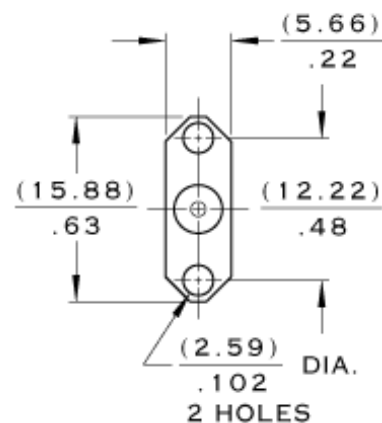
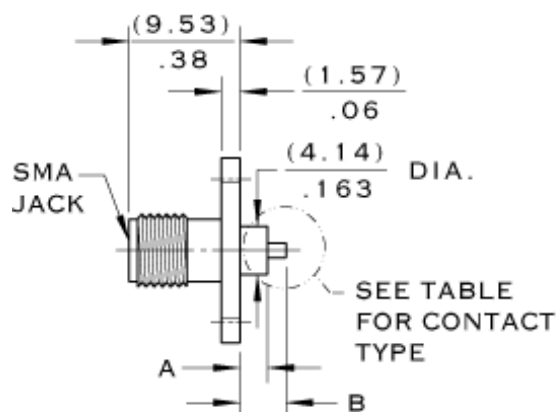
 Search: in



SMA jack, flanged - 29048

[Catalog Home](#) -> [Microwave Connectors](#) -> [SMA Interface](#) -> [Panel Mount Connectors](#) -> SMA jack, flanged - 29048

SMA jack, flanged 29048



- frequency 25 GHz max.
- figure [S2 flange](#) detail

PART NO.	CONTACT TYPE	A		B	
		IN.	MM	IN.	MM
29048-2C	5C	.150	3.81	.250	6.35
29048-4C	3C	.590	14.99	.705	17.91
29048-25C	8F	.000	0.00	.000	0.00

Select Part No.:

[Click here](#) to view your cart.

Browse By Category

[Catalog Home](#)

[Microwave Cable Assemblies](#)

[Microwave Cable](#)

[Microwave Connectors](#)

[Contacts](#)

[Adaptors Between Series](#)

[Surge Protection Adaptors](#)

[Phase Shifters](#)

[Other Passive Components](#)

Search:

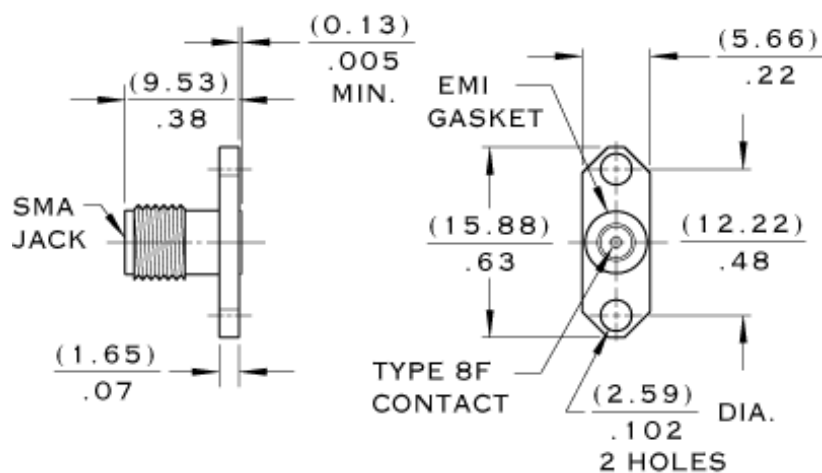
in



SMA jack, flanged - 29198

[Catalog Home](#) -> [Microwave Connectors](#) -> [SMA Interface](#) -> [Panel Mount Connectors](#) -> SMA jack, flanged - 29198

SMA jack, flanged 29198



- frequency 25 GHz max.
- figure [S2 flange](#) detail

Add this item to my cart.

[Click here](#) to view your cart.

Browse By Category

[Catalog Home](#)

[Microwave Cable Assemblies](#)

[Microwave Cable](#)

[Microwave Connectors](#)

[Contacts](#)

[Adaptors Between Series](#)

[Surge Protection Adaptors](#)

[Phase Shifters](#)

[Other Passive Components](#)

Tel: (732) 560-3800

Fax: (732) 560-9570

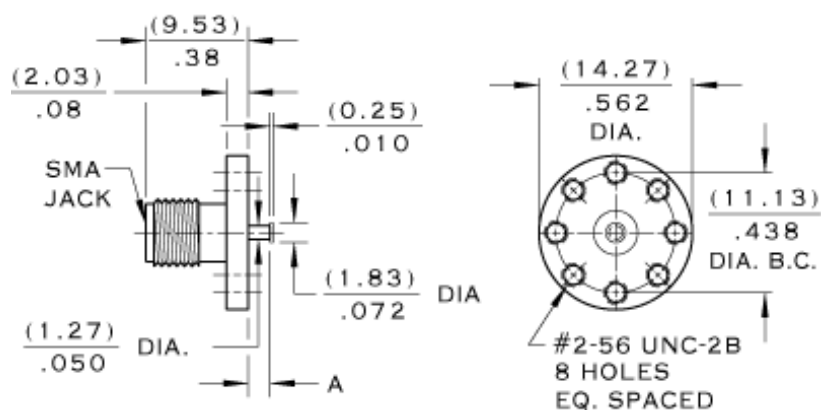
support@astrolab.com

Search:

in


SMA jack, flanged - 29050

[Catalog Home](#) -> [Microwave Connectors](#) -> [SMA Interface](#) -> [Panel Mount Connectors](#) -> SMA jack, flanged - 29050

**SMA jack, flanged
29050**


- frequency 25 GHz max.
- figure [RS3 flange](#) detail

PART NO.	A		MEETS MIL-C-83517/
	IN.	MM	
29050-1	.062±.003	1.57±0.08	6-31001
29050-2	.032	0.81	
29050-3	.125±.003	3.18±0.08	6-31002

all contacts are non-captive

Select Part No.:

[Click here](#) to view your cart.

Browse By Category

[Catalog Home](#)
[Microwave Cable Assemblies](#)
[Microwave Cable](#)
[Microwave Connectors](#)
[Contacts](#)

[Adaptors Between Series](#)
[Surge Protection Adaptors](#)
[Phase Shifters](#)
[Other Passive Components](#)

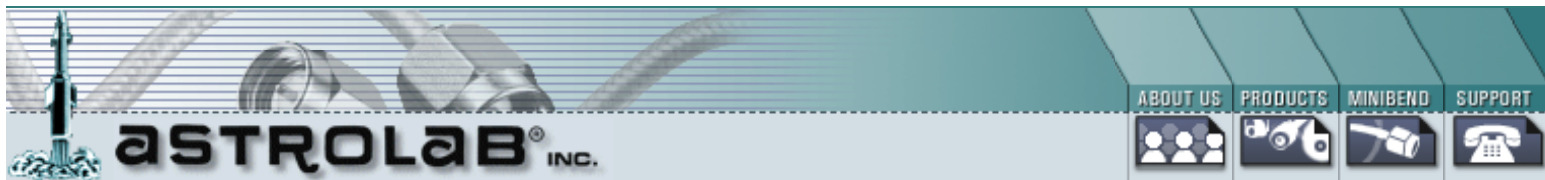
Tel: (732) 560-3800

Fax: (732) 560-9570

support@astrolab.com

Search:

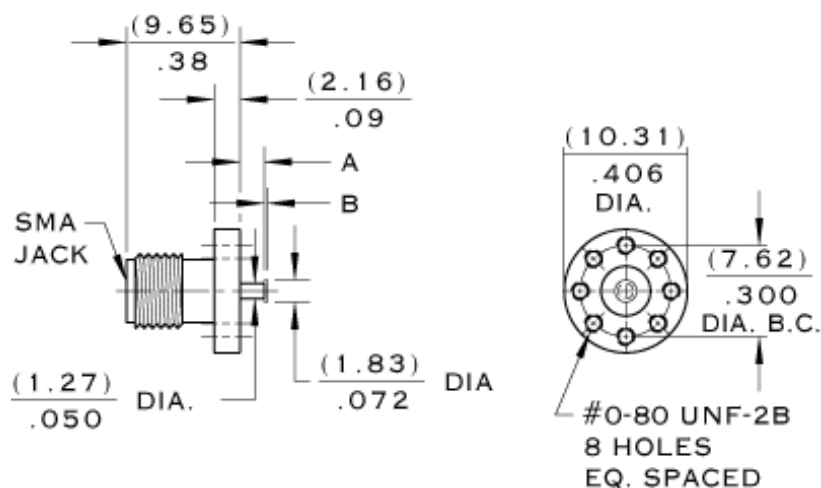
in



SMA jack, flanged - 29054

[Catalog Home](#) -> [Microwave Connectors](#) -> [SMA Interface](#) -> [Panel Mount Connectors](#) -> SMA jack, flanged - 29054

SMA jack, flanged 29054



- frequency 25 GHz max.
- figure [RS1 flange](#) detail

PART NO.	CONTACT	A		B	
		IN.	MM	IN.	MM
29054-1	non-captive	.062	1.57	.010	0.25
29054-2	non-captive	.032	0.81	.010	0.25
29054-3	non-captive	.125	3.18	.010	0.25
29054-4	captive	.093	2.36	.010	0.25
29054-5*	non-captive	.031	0.79	.000	0.00

*3C stub contact

Select Part No.:

[Click here](#) to view your cart.

Browse By Category

[Catalog Home](#)
[Microwave Cable Assemblies](#)
[Microwave Cable](#)
[Microwave Connectors](#)
[Contacts](#)

[Adaptors Between Series](#)
[Surge Protection Adaptors](#)
[Phase Shifters](#)
[Other Passive Components](#)

Tel: (732) 560-3800

Fax: (732) 560-9570

support@astrolab.com

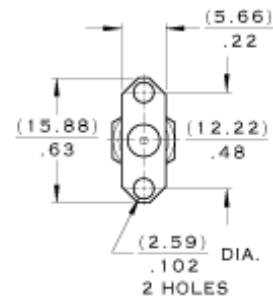
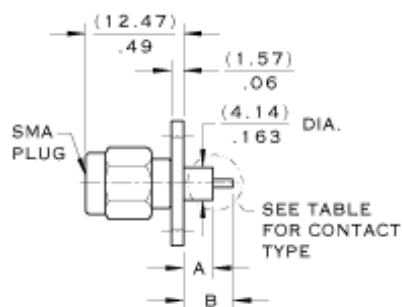
Search: in



SMA plug, flanged - 29049

[Catalog Home](#) -> [Microwave Connectors](#) -> [SMA Interface](#) -> [Panel Mount Connectors](#) -> SMA plug, flanged - 29049

SMA jack, flanged 29049



- frequency 25 GHz max.
- figure [S2 flange](#) detail

PART NO.	CONTACT TYPE	A		B	
		IN.	MM	IN.	MM
29049-4C	3C	.000	0.00	.100	2.54
29049-6C	5C	.150	3.81	.250	6.35

Select Part No.:

[Click here](#) to view your cart.

Browse By Category

[Catalog Home](#)

[Microwave Cable Assemblies](#)

[Microwave Cable](#)

[Microwave Connectors](#)

[Contacts](#)

[Adaptors Between Series](#)

[Surge Protection Adaptors](#)

[Phase Shifters](#)

[Other Passive Components](#)

Tel: (732) 560-3800

Fax: (732) 560-9570

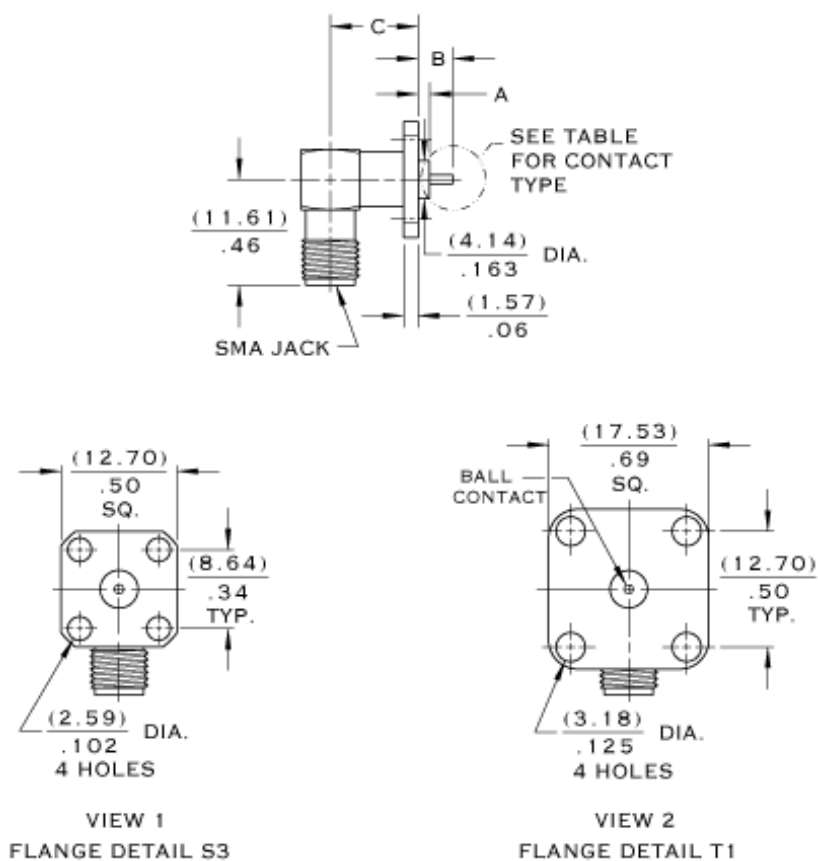
support@astrolab.com

Search:

in


right angle SMA jack, flanged - 29078

[Catalog Home](#) -> [Microwave Connectors](#) -> [SMA Interface](#) -> [Panel Mount Connectors](#) -> right angle SMA jack, flanged - 29078

**right angle SMA jack, flanged
29078**


- frequency 10 GHz max.
- [flange](#)

PART NO.	CONTACT TYPE	A		B		B		VIEW
		IN.	MM	IN.	MM	IN.	MM	
29078	1C	.062	1.57	.180	4.57	.380	9.65	1
29078-3	1C	.062	1.57	.180	4.57	.237	6.02	1
29078-14	3C	.590	14.99	.705	17.91	.380	9.65	1
29078-21	ball contact	.000	0.00	.100	2.54	.380	9.65	2

Select Part No.:

[Click here](#) to view your cart.

Browse By Category

[Catalog Home](#)
[Microwave Cable Assemblies](#)
[Microwave Cable](#)
[Microwave Connectors](#)
[Contacts](#)

[Adaptors Between Series](#)
[Surge Protection Adaptors](#)
[Phase Shifters](#)
[Other Passive Components](#)