

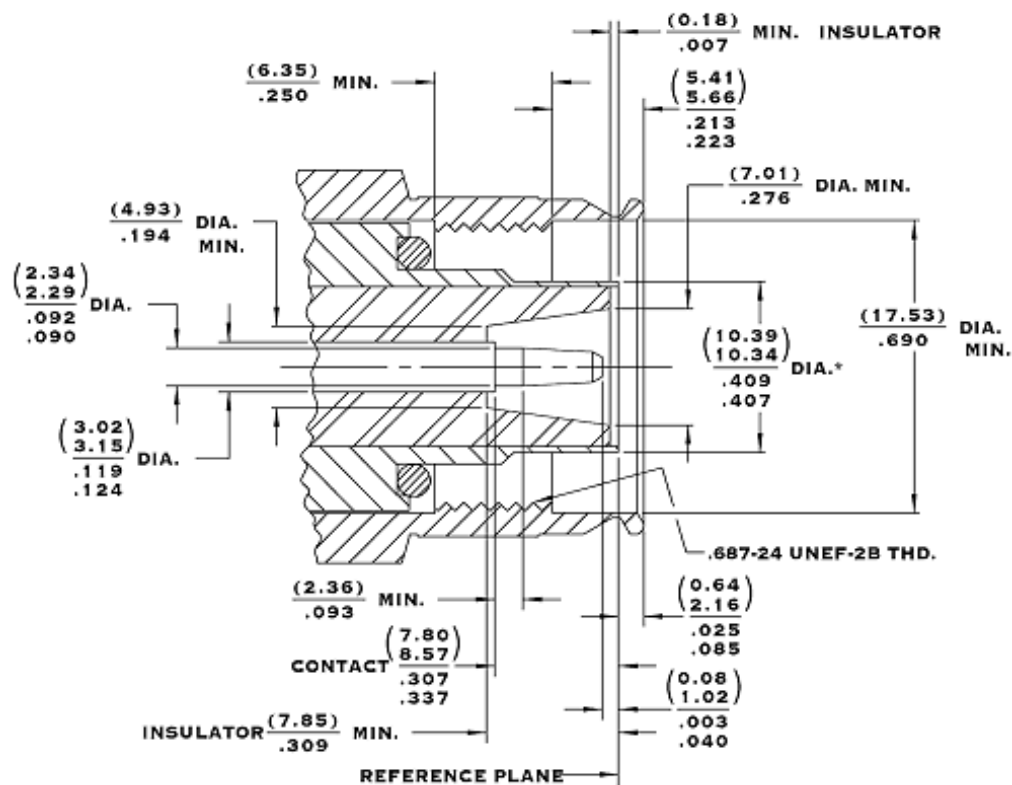


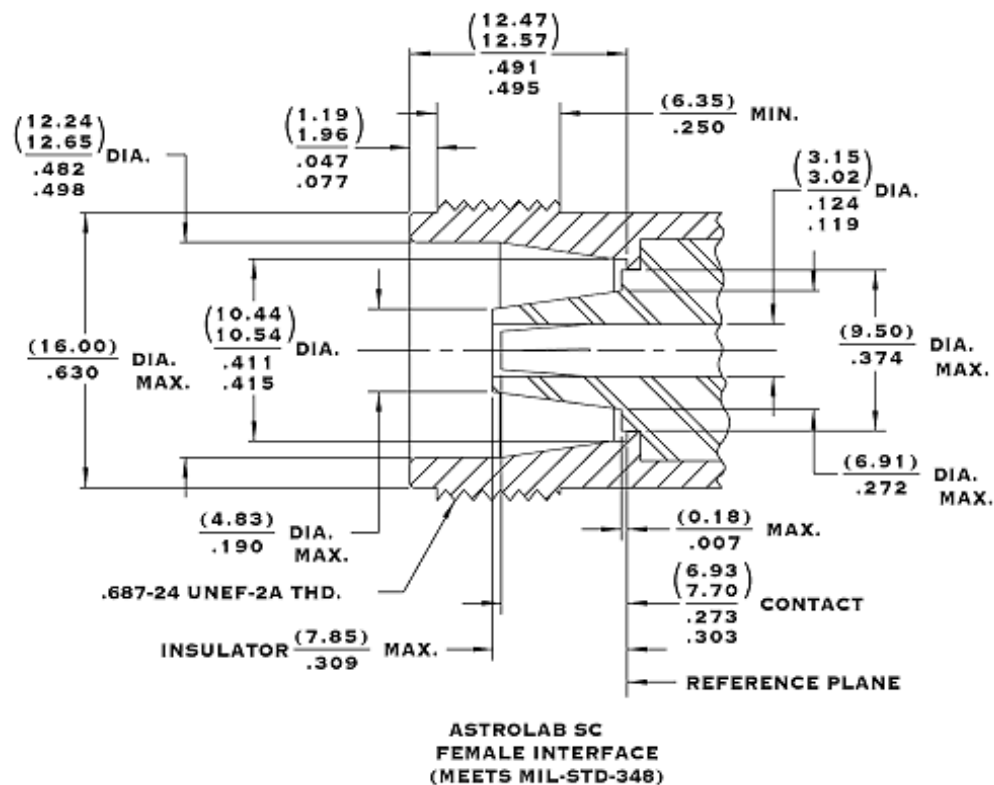
## SC Interface

[Catalog Home](#) -> [Microwave Connectors](#) -> SC Interface

### SC Interface

Interface drawings not shown full scale.





Please continue your selection below:

- [Flexible Cable Connectors](#)
- [Semi-Rigid Cable Connectors](#)
- [Panel Mount Connectors](#)

#### Browse By Category

[Catalog Home](#)

[Microwave Cable Assemblies](#)

[Microwave Cable](#)

[Microwave Connectors](#)

[Contacts](#)

[Adaptors Between Series](#)

[Surge Protection Adaptors](#)

[Phase Shifters](#)

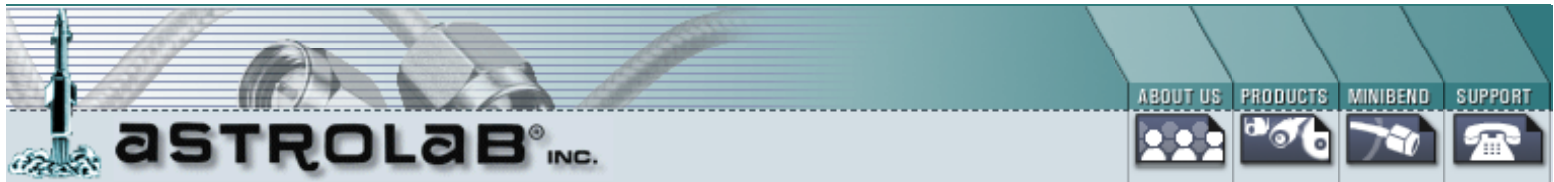
[Other Passive Components](#)

Tel: (732) 560-3800

Fax: (732) 560-9570

[support@astrolab.com](mailto:support@astrolab.com)

Search:  in



### Flexible Cable Connectors

[Catalog Home](#) -> [Microwave Connectors](#) -> [SC Interface](#) -> Flexible Cable Connectors

Please continue your selection below:

- [90° sweep SC jack - 29632](#)
- [90° sweep SC jack - 29632](#)
- [90° sweep SC plug - 29633](#)
- [90° sweep SC plug - 29633](#)
- [SC jack, bulkhead - 29609](#)
- [SC jack, flanged - 29652](#)
- [SC jack - 29644](#)
- [SC jack - 29607](#)
- [SC plug - 29642](#)
- [SC plug - 29608](#)

### Browse By Category

[Catalog Home](#)  
[Microwave Cable Assemblies](#)  
[Microwave Cable](#)  
[Microwave Connectors](#)  
[Contacts](#)

[Adaptors Between Series](#)  
[Surge Protection Adaptors](#)  
[Phase Shifters](#)  
[Other Passive Components](#)

Tel: (732) 560-3800

Fax: (732) 560-9570

[support@astrolab.com](mailto:support@astrolab.com)

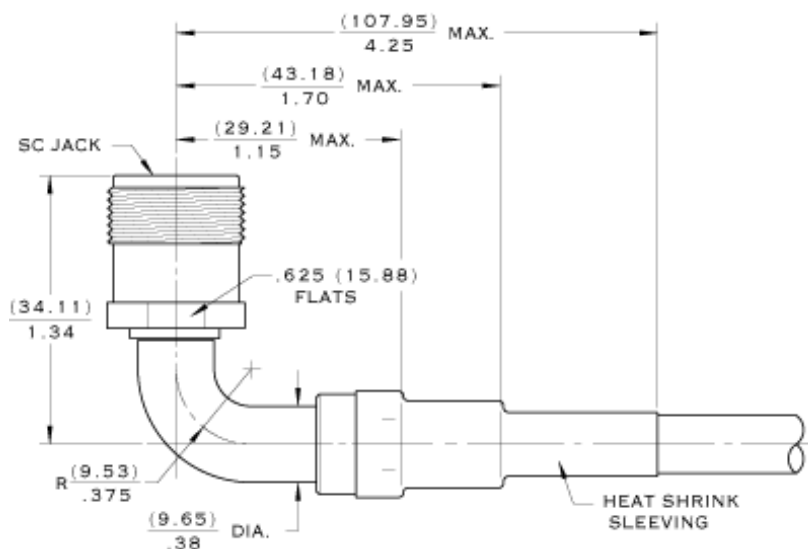
Search: \_\_\_\_\_ in \_\_\_\_\_



### 90° sweep SC jack - 29632

[Catalog Home](#) -> [Microwave Connectors](#) -> [SC Interface](#) -> [Flexible Cable Connectors](#) -> 90° sweep SC jack - 29632

### 90° sweep SC jack 29632



- frequency 11 GHz max.
- crimp ferrule

CABLE	PART NO.
RG-58C/U, 142/U, 142A/U, 223/U	29632-32-0
ASTROLAB 32019	29632-32-19
ASTROLAB 32022	29632-32-22
ASTROLAB 32027	29632-32-27
ASTROLAB 32029	29632-32-29
ASTROLAB 32039	29632-32-39
ASTROLAB 32048	29632-32-48
ASTROLAB 32050	29632-32-50
ASTROLAB 32051	29632-32-51
ASTROLAB 32055	29632-32-55
ASTROLAB 32094	29632-32-94

Select Part No.:

[Click here](#) to view your cart.

#### Browse By Category

[Catalog Home](#)  
[Microwave Cable Assemblies](#)  
[Microwave Cable](#)  
[Microwave Connectors](#)  
[Contacts](#)

[Adaptors Between Series](#)  
[Surge Protection Adaptors](#)  
[Phase Shifters](#)  
[Other Passive Components](#)

Tel: (732) 560-3800

Fax: (732) 560-9570

[support@astrolab.com](mailto:support@astrolab.com)

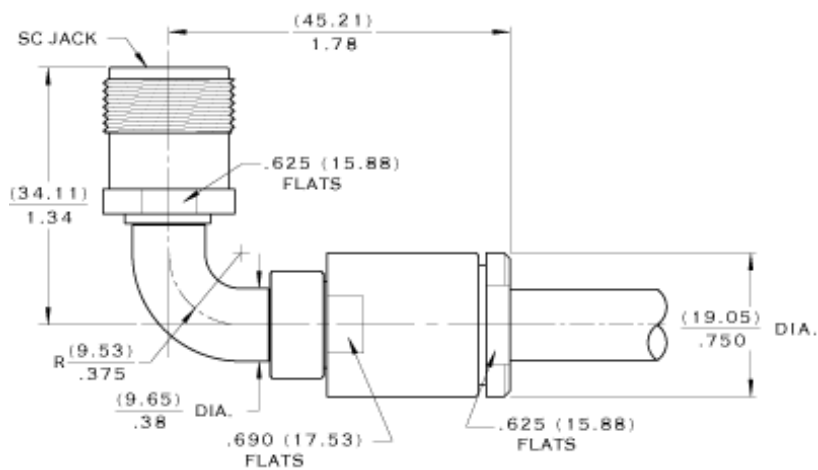
Search:  in



### 90° sweep SC jack - 29632

[Catalog Home](#) -> [Microwave Connectors](#) -> [SC Interface](#) -> [Flexible Cable Connectors](#) -> 90° sweep SC jack - 29632

### 90° sweep SC jack 29632



- frequency 10 GHz max.
- astro-uni-lok

CABLE	PART NO.
ASTROLAB 32071	29632-32-71

Select Part No.:

[Click here](#) to view your cart.

#### Browse By Category

[Catalog Home](#)  
[Microwave Cable Assemblies](#)  
[Microwave Cable](#)  
[Microwave Connectors](#)  
[Contacts](#)

[Adaptors Between Series](#)  
[Surge Protection Adaptors](#)  
[Phase Shifters](#)  
[Other Passive Components](#)

Tel: (732) 560-3800

Fax: (732) 560-9570

[support@astrolab.com](mailto:support@astrolab.com)

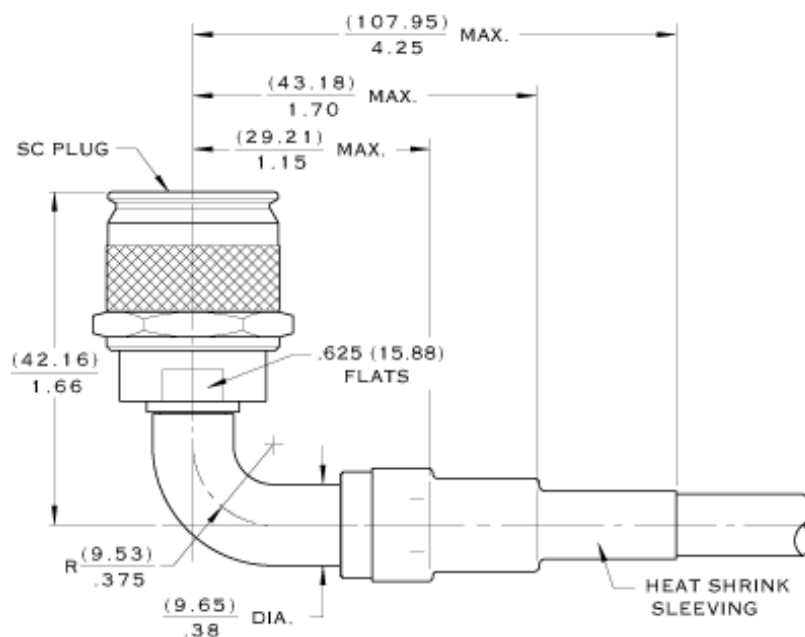
Search:  in



### 90° sweep SC plug - 29633

[Catalog Home](#) -> [Microwave Connectors](#) -> [SC Interface](#) -> [Flexible Cable Connectors](#) -> 90° sweep SC plug - 29633

### 90° sweep SC plug 29633



- frequency 11 GHz max.
- crimp ferrule

CABLE	PART NO.
RG-58C/U, 142/U, 142A/U, 223/U	29633-32-0
ASTROLAB 32019	29633-32-19
ASTROLAB 32022	29633-32-22
ASTROLAB 32027	29633-32-27
ASTROLAB 32029	29633-32-29
ASTROLAB 32039	29633-32-39
ASTROLAB 32048	29633-32-48
ASTROLAB 32050	29633-32-50
ASTROLAB 32051	29633-32-51
ASTROLAB 32055	29633-32-55
ASTROLAB 32094	29633-32-94

**Select Part No.:**

[Click here](#) to view your cart.

#### Browse By Category

[Catalog Home](#)  
[Microwave Cable Assemblies](#)  
[Microwave Cable](#)  
[Microwave Connectors](#)  
[Contacts](#)

[Adaptors Between Series](#)  
[Surge Protection Adaptors](#)  
[Phase Shifters](#)  
[Other Passive Components](#)

Search:

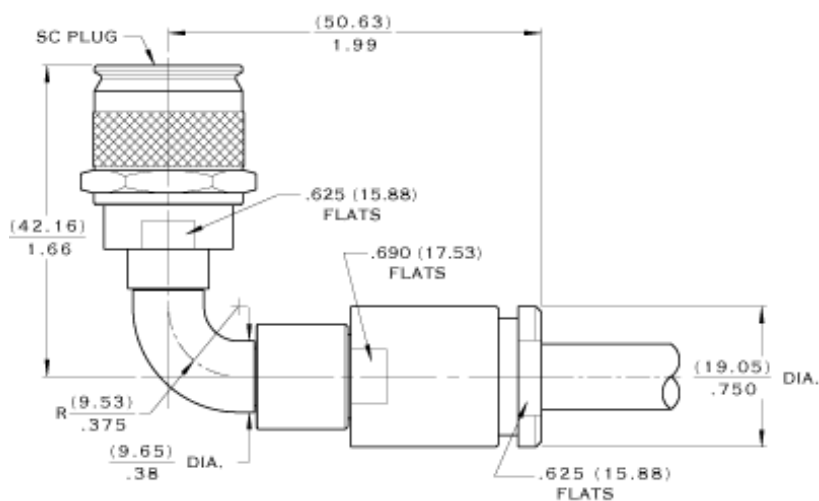
in



### 90° sweep SC plug - 29633

[Catalog Home](#) -> [Microwave Connectors](#) -> [SC Interface](#) -> [Flexible Cable Connectors](#) -> 90° sweep SC plug - 29633

### 90° sweep SC plug 29633



- frequency 10 GHz max.
- astro-uni-lok

CABLE	PART NO.
ASTROLAB 32071	29633-32-71

**Select Part No.:**

[Click here](#) to view your cart.

#### Browse By Category

[Catalog Home](#)  
[Microwave Cable Assemblies](#)  
[Microwave Cable](#)  
[Microwave Connectors](#)  
[Contacts](#)

[Adaptors Between Series](#)  
[Surge Protection Adaptors](#)  
[Phase Shifters](#)  
[Other Passive Components](#)

Tel: (732) 560-3800

Fax: (732) 560-9570

[support@astrolab.com](mailto:support@astrolab.com)

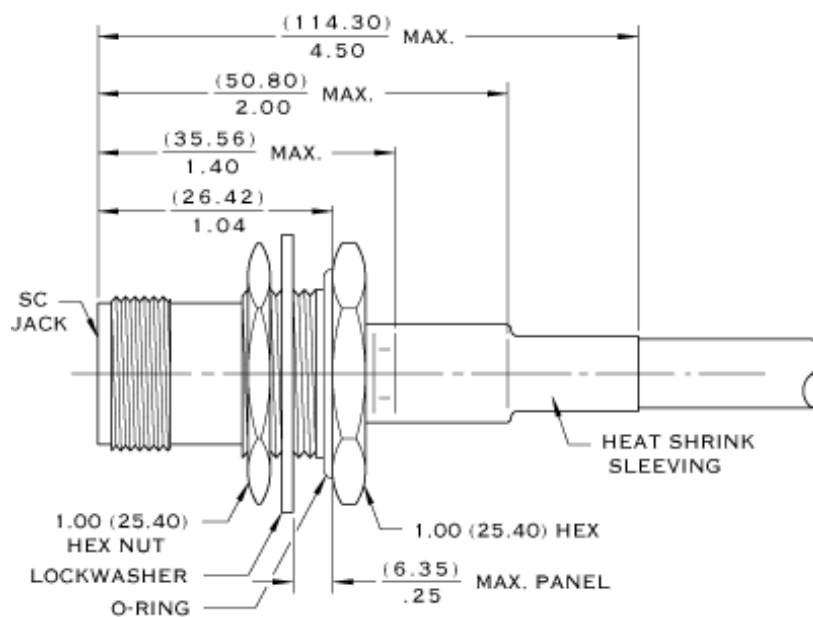
Search:  in



### SC jack, bulkhead - 29609

[Catalog Home](#) -> [Microwave Connectors](#) -> [SC Interface](#) -> [Flexible Cable Connectors](#) -> SC jack, bulkhead - 29609

### SC jack, bulkhead 29609



- frequency 11 GHz max.
- crimp ferrule
- figure [PC7 panel cut out](#)

CABLE	PART NO.
RG-58C/U, 142/U, 142A/U, 223/U	29609-32-0
ASTROLAB 32019	29609-32-19
ASTROLAB 32022	29609-32-22
ASTROLAB 32027	29609-32-27
ASTROLAB 32029	29609-32-29
ASTROLAB 32039	29609-32-39
ASTROLAB 32048	29609-32-48
ASTROLAB 32050	29609-32-50
ASTROLAB 32051	29609-32-51
ASTROLAB 32055	29609-32-55
ASTROLAB 32094	29609-32-94

Select Part No.:

[Click here](#) to view your cart.

#### Browse By Category

[Catalog Home](#)

[Microwave Cable Assemblies](#)

[Microwave Cable](#)

[Microwave Connectors](#)

[Contacts](#)

[Adaptors Between Series](#)

[Surge Protection Adaptors](#)

[Phase Shifters](#)

[Other Passive Components](#)

Search:

in



ABOUT US

PRODUCTS

MINIBEND

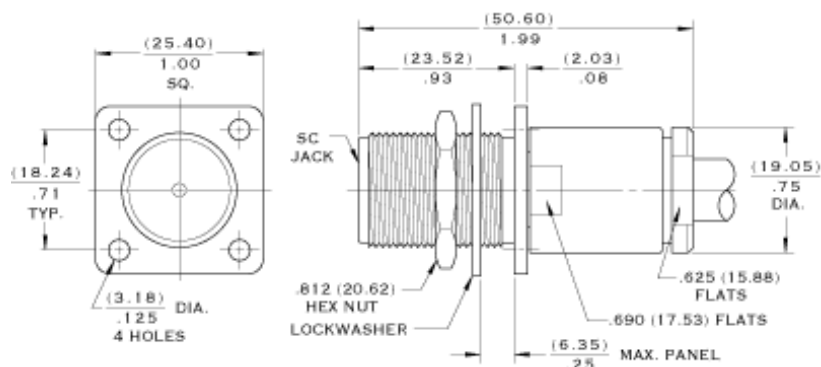
SUPPORT



### SC jack, flanged - 29652

[Catalog Home](#) -> [Microwave Connectors](#) -> [SC Interface](#) -> [Flexible Cable Connectors](#) -> SC jack, flanged - 29652

### SC jack, flanged 29652



- frequency 10 GHz max.
- figure [N2 flange](#) detail
- astro-uni-lok

CABLE	PART NO.
ASTROLAB 32071	29652-32-71

**Select Part No.:**

[Click here](#) to view your cart.

#### Browse By Category

[Catalog Home](#)  
[Microwave Cable Assemblies](#)  
[Microwave Cable](#)  
[Microwave Connectors](#)  
[Contacts](#)

[Adaptors Between Series](#)  
[Surge Protection Adaptors](#)  
[Phase Shifters](#)  
[Other Passive Components](#)

Tel: (732) 560-3800

Fax: (732) 560-9570

[support@astrolab.com](mailto:support@astrolab.com)

Search:

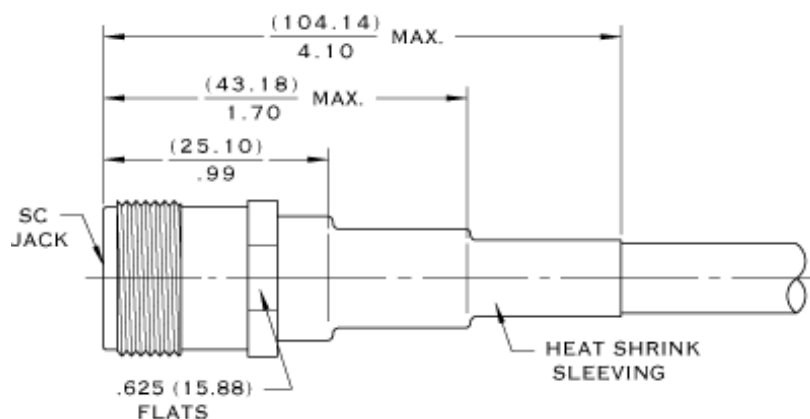
in



## SC jack - 29644

[Catalog Home](#) -> [Microwave Connectors](#) -> [SC Interface](#) -> [Flexible Cable Connectors](#) -> SC jack - 29644

### SC jack 29644



- frequency 11 GHz max.
- crimp ferrule

CABLE	PART NO.
RG-58C/U, 142/U, 142A/U, 223/U	29644-32-0
ASTROLAB 32019	29644-32-19
ASTROLAB 32022	29644-32-22
ASTROLAB 32027	29644-32-27
ASTROLAB 32029	29644-32-29
ASTROLAB 32039	29644-32-39
ASTROLAB 32048	29644-32-48
ASTROLAB 32050	29644-32-50
ASTROLAB 32051	29644-32-51
ASTROLAB 32055	29644-32-55
ASTROLAB 32094	29644-32-94

Select Part No.:

[Click here](#) to view your cart.

#### Browse By Category

[Catalog Home](#)

[Microwave Cable Assemblies](#)

[Microwave Cable](#)

[Microwave Connectors](#)

[Contacts](#)

[Adaptors Between Series](#)

[Surge Protection Adaptors](#)

[Phase Shifters](#)

[Other Passive Components](#)

Tel: (732) 560-3800

Fax: (732) 560-9570

[support@astrolab.com](mailto:support@astrolab.com)

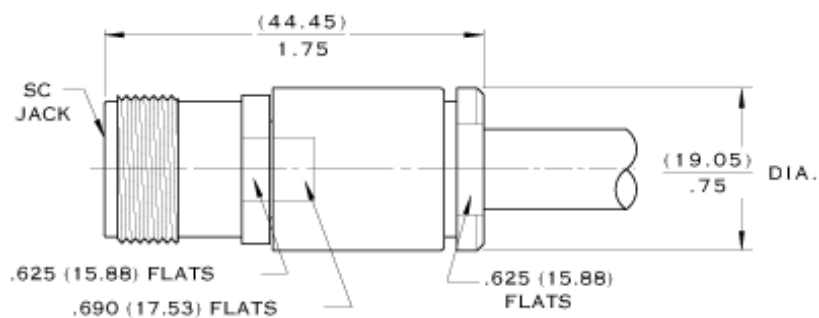
Search: \_\_\_\_\_ in \_\_\_\_\_



### SC jack - 29607

[Catalog Home](#) -> [Microwave Connectors](#) -> [SC Interface](#) -> [Flexible Cable Connectors](#) -> SC jack - 29607

### SC jack 29607



- frequency 10 GHz max.
- astro-uni-lok

CABLE	PART NO.
ASTROLAB 32071	29607-32-71

**Select Part No.:**

[Click here](#) to view your cart.

#### Browse By Category

[Catalog Home](#)  
[Microwave Cable Assemblies](#)  
[Microwave Cable](#)  
[Microwave Connectors](#)  
[Contacts](#)

[Adaptors Between Series](#)  
[Surge Protection Adaptors](#)  
[Phase Shifters](#)  
[Other Passive Components](#)

Tel: (732) 560-3800

Fax: (732) 560-9570

[support@astrolab.com](mailto:support@astrolab.com)

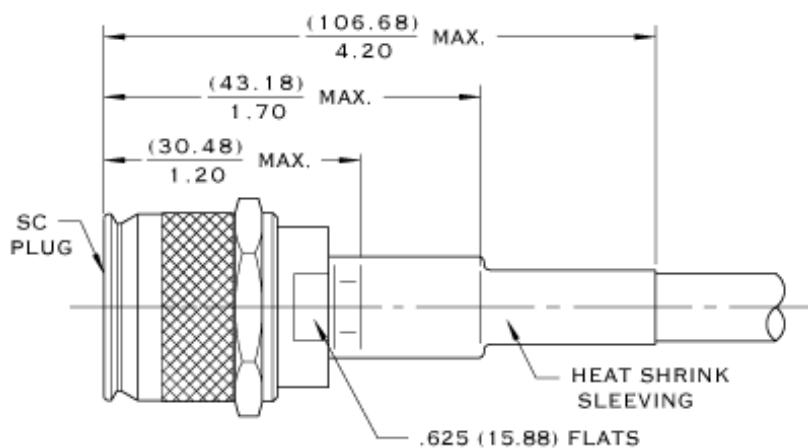
Search:  in



### SC plug - 29642

[Catalog Home](#) -> [Microwave Connectors](#) -> [SC Interface](#) -> [Flexible Cable Connectors](#) -> SC plug - 29642

#### SC plug 29642



- frequency 11 GHz max.
- crimp ferrule

CABLE	PART NO.
RG-58C/U, 142/U, 142A/U, 223/U	29642-32-0
ASTROLAB 32019	29642-32-19
ASTROLAB 32022	29642-32-22
ASTROLAB 32027	29642-32-27
ASTROLAB 32029	29642-32-29
ASTROLAB 32039	29642-32-39
ASTROLAB 32048	29642-32-48
ASTROLAB 32050	29642-32-50
ASTROLAB 32051	29642-32-51
ASTROLAB 32055	29642-32-55
ASTROLAB 32094	29642-32-94

Select Part No.:

[Click here](#) to view your cart.

#### Browse By Category

[Catalog Home](#)  
[Microwave Cable Assemblies](#)  
[Microwave Cable](#)  
[Microwave Connectors](#)  
[Contacts](#)

[Adaptors Between Series](#)  
[Surge Protection Adaptors](#)  
[Phase Shifters](#)  
[Other Passive Components](#)

Tel: (732) 560-3800

Fax: (732) 560-9570

[support@astrolab.com](mailto:support@astrolab.com)

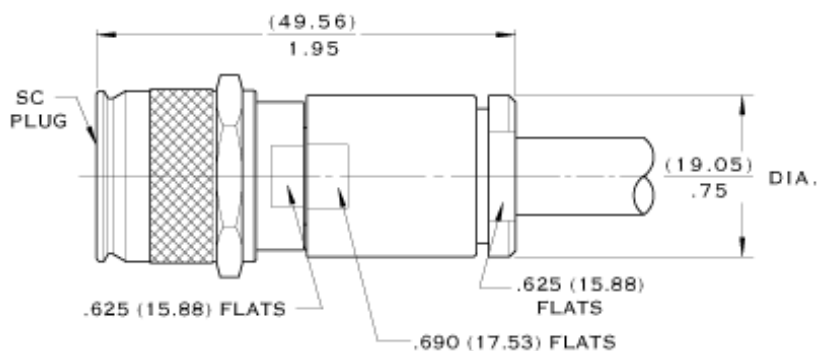
Search:  in



### SC plug - 29608

[Catalog Home](#) -> [Microwave Connectors](#) -> [SC Interface](#) -> [Flexible Cable Connectors](#) -> SC plug - 29608

#### SC plug 29608



- frequency 10 GHz max.
- astro-uni-lok

CABLE	PART NO.
ASTROLAB 32071	29608-32-71

**Select Part No.:**

[Click here](#) to view your cart.

#### Browse By Category

[Catalog Home](#)

[Microwave Cable Assemblies](#)

[Microwave Cable](#)

[Microwave Connectors](#)

[Contacts](#)

[Adaptors Between Series](#)

[Surge Protection Adaptors](#)

[Phase Shifters](#)

[Other Passive Components](#)

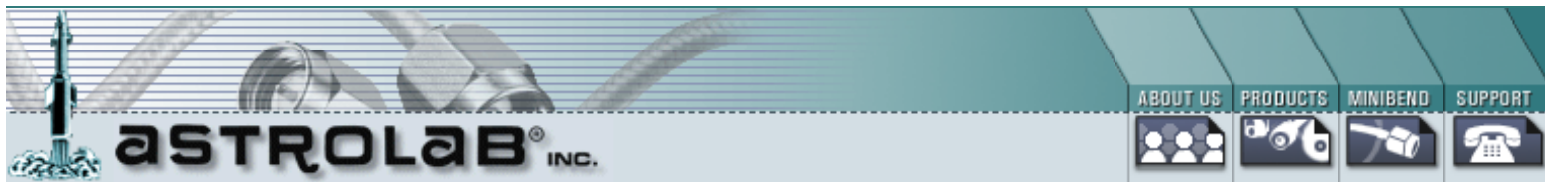
Tel: (732) 560-3800

Fax: (732) 560-9570

[support@astrolab.com](mailto:support@astrolab.com)

Search:

in



## Semi-Rigid Cable Connectors

[Catalog Home](#) -> [Microwave Connectors](#) -> [SC Interface](#) -> Semi-Rigid Cable Connectors

Please continue your selection below:

- [90° sweep SC jack - 29632](#)
- [90° sweep SC plug - 29633](#)
- [SC jack, bulkhead - 29609](#)
- [SC jack, bulkhead, flanged - 29652](#)
- [SC jack, flanged - 29648](#)
- [SC jack - 29621](#)
- [SC jack - 29607](#)
- [SC jack, flanged - 29607F](#)
- [SC jack, flanged - 29607F-4](#)
- [SC plug - 29620](#)
- [SC plug - 29608](#)
- [SC plug - 29608-4](#)

## Browse By Category

[Catalog Home](#)

[Microwave Cable Assemblies](#)

[Microwave Cable](#)

[Microwave Connectors](#)

[Contacts](#)

[Adaptors Between Series](#)

[Surge Protection Adaptors](#)

[Phase Shifters](#)

[Other Passive Components](#)

Tel: (732) 560-3800

Fax: (732) 560-9570

[support@astrolab.com](mailto:support@astrolab.com)

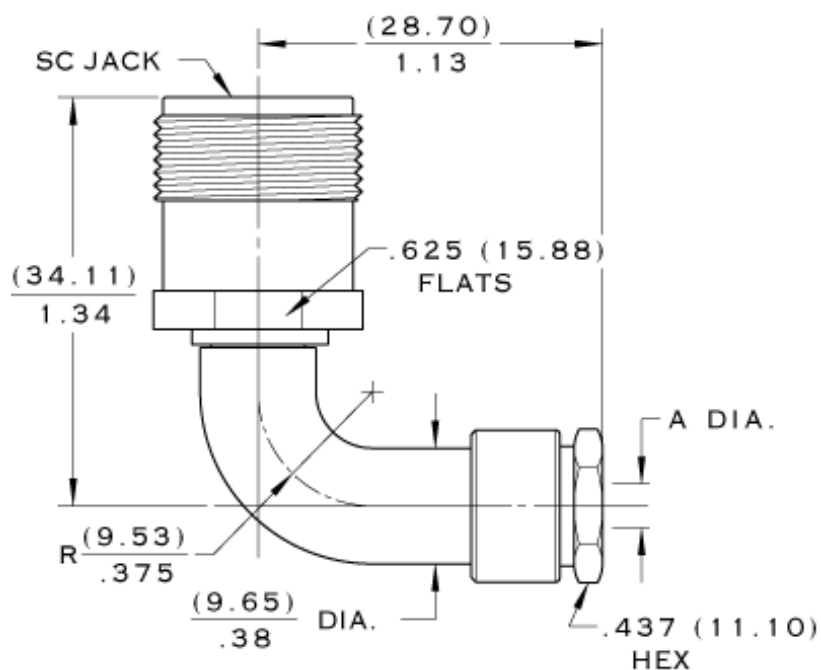
Search: \_\_\_\_\_ in \_\_\_\_\_



### 90° sweep SC jack - 29632

[Catalog Home](#) -> [Microwave Connectors](#) -> [SC Interface](#) -> [Semi-Rigid Cable Connectors](#) -> 90° sweep SC jack - 29632

### 90° sweep SC jack 29632



- frequency 11 GHz max.

CABLE	PART NO.	CABLE DIA.		A DIA.	
		IN.	MM	IN.	MM
ASTROLAB 31000; RG-402	29632-1	.141	3.58	.144	3.66
ASTROLAB 31086; RG-405	29632-2	.086	2.18	.089	2.26
RG-401	29632-3	.250	6.35	.255	6.48
ASTROLAB 33000	29632-33	ASTROLAB 33000		.238	6.05

**Select Part No.:**

[Click here](#) to view your cart.

#### Browse By Category

[Catalog Home](#)  
[Microwave Cable Assemblies](#)  
[Microwave Cable](#)  
[Microwave Connectors](#)  
[Contacts](#)

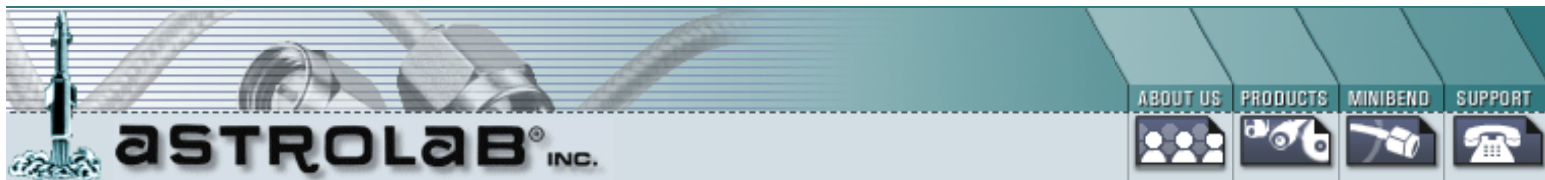
[Adaptors Between Series](#)  
[Surge Protection Adaptors](#)  
[Phase Shifters](#)  
[Other Passive Components](#)

Tel: (732) 560-3800

Fax: (732) 560-9570

[support@astrolab.com](mailto:support@astrolab.com)

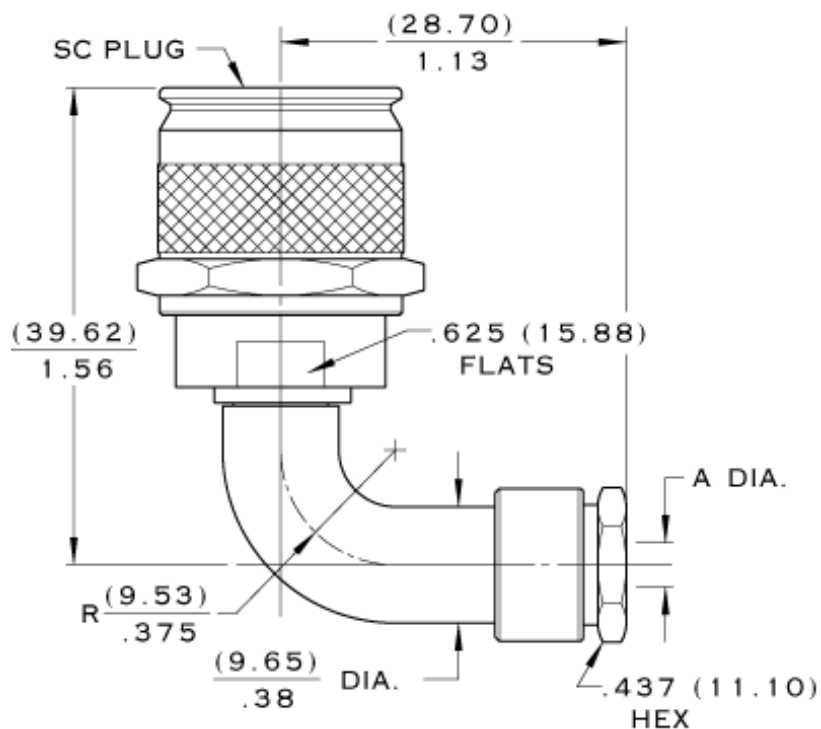
Search:  in



### 90° sweep SC plug - 29633

[Catalog Home](#) -> [Microwave Connectors](#) -> [SC Interface](#) -> [Semi-Rigid Cable Connectors](#) -> 90° sweep SC plug - 29633

### 90° sweep SC plug 29633



- frequency 11 GHz max.

CABLE	PART NO.	CABLE DIA.		A DIA.	
		IN.	MM	IN.	MM
ASTROLAB 31000; RG-402	29633-1	.141	3.58	.144	3.66
ASTROLAB 31086; RG-405	29633-2	.086	2.18	.089	2.26
RG-401	29633-3	.250	6.35	.255	6.48
ASTROLAB 33000	29633-33	ASTROLAB 33000		.238	6.05

**Select Part No.:**

[Click here](#) to view your cart.

#### Browse By Category

[Catalog Home](#)  
[Microwave Cable Assemblies](#)  
[Microwave Cable](#)  
[Microwave Connectors](#)  
[Contacts](#)

[Adaptors Between Series](#)  
[Surge Protection Adaptors](#)  
[Phase Shifters](#)  
[Other Passive Components](#)

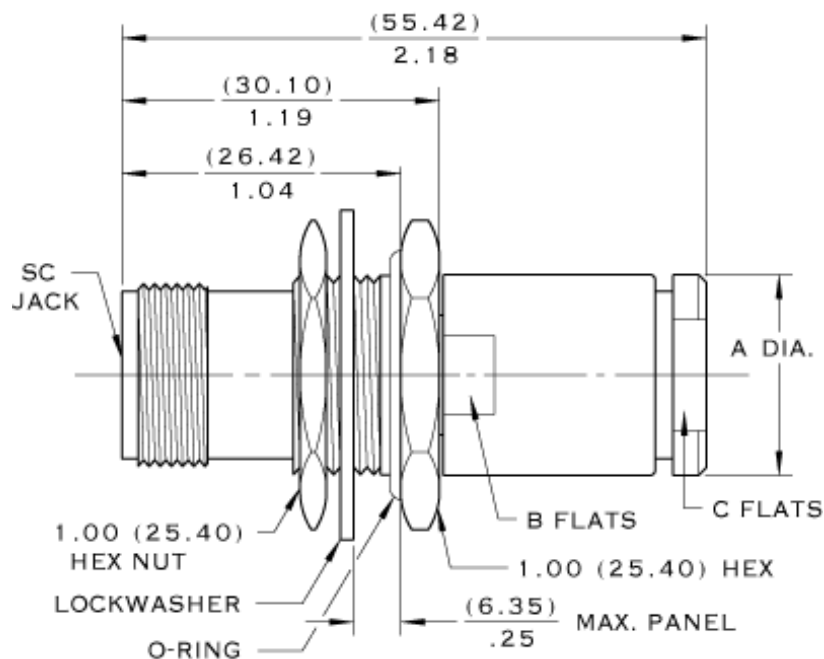
**Search:**  **in**



### SC jack, bulkhead - 29609

[Catalog Home](#) -> [Microwave Connectors](#) -> [SC Interface](#) -> [Semi-Rigid Cable Connectors](#) -> SC jack, bulkhead - 29609

### SC jack, bulkhead 29609



- frequency 10 GHz max.
- figure [PC7 panel cut out detail](#)

CABLE	PART NO.	A DIA.		B FLATS		C FLATS	
		IN.	MM	IN.	MM	IN.	MM
ASTROLAB 34000	29609-34	.750	19.05	.690	17.53	.625	15.88
ASTROLAB 37000	29609-37	.875	22.23	.750	19.05	.750	19.05

Select Part No.:

[Click here](#) to view your cart.

#### Browse By Category

[Catalog Home](#)

[Microwave Cable Assemblies](#)

[Microwave Cable](#)

[Microwave Connectors](#)

[Contacts](#)

[Adaptors Between Series](#)

[Surge Protection Adaptors](#)

[Phase Shifters](#)

[Other Passive Components](#)

Tel: (732) 560-3800

Fax: (732) 560-9570

[support@astrolab.com](mailto:support@astrolab.com)

Search:

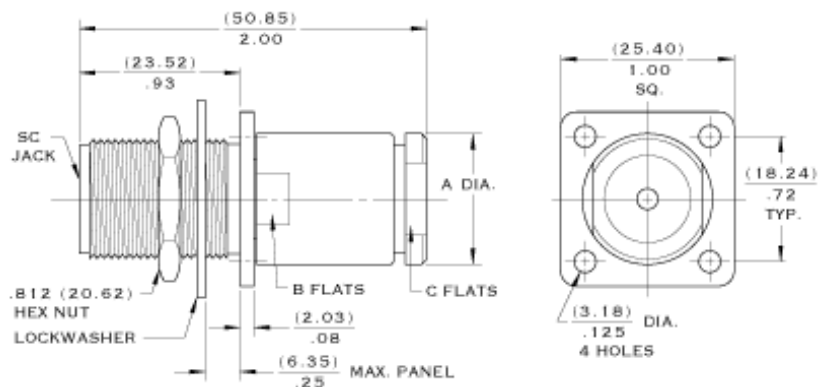
in



### SC jack, bulkhead, flanged - 29652

[Catalog Home](#) -> [Microwave Connectors](#) -> [SC Interface](#) -> [Semi-Rigid Cable Connectors](#) -> SC jack, bulkhead, flanged - 29652

### SC jack, bulkhead, flanged 29652



- frequency 10 GHz max.
- figure [N2 flange](#) detail

CABLE	PART NO.	A DIA.		B FLATS		C FLATS	
		IN.	MM	IN.	MM	IN.	MM
ASTROLAB 34000	29652-34	.750	19.05	.690	17.53	.625	15.88
ASTROLAB 37000	29652-37	.875	22.23	.750	19.05	.750	19.05

Select Part No.:

[Click here](#) to view your cart.

#### Browse By Category

[Catalog Home](#)  
[Microwave Cable Assemblies](#)  
[Microwave Cable](#)  
[Microwave Connectors](#)  
[Contacts](#)

[Adaptors Between Series](#)  
[Surge Protection Adaptors](#)  
[Phase Shifters](#)  
[Other Passive Components](#)

Tel: (732) 560-3800

Fax: (732) 560-9570

[support@astrolab.com](mailto:support@astrolab.com)

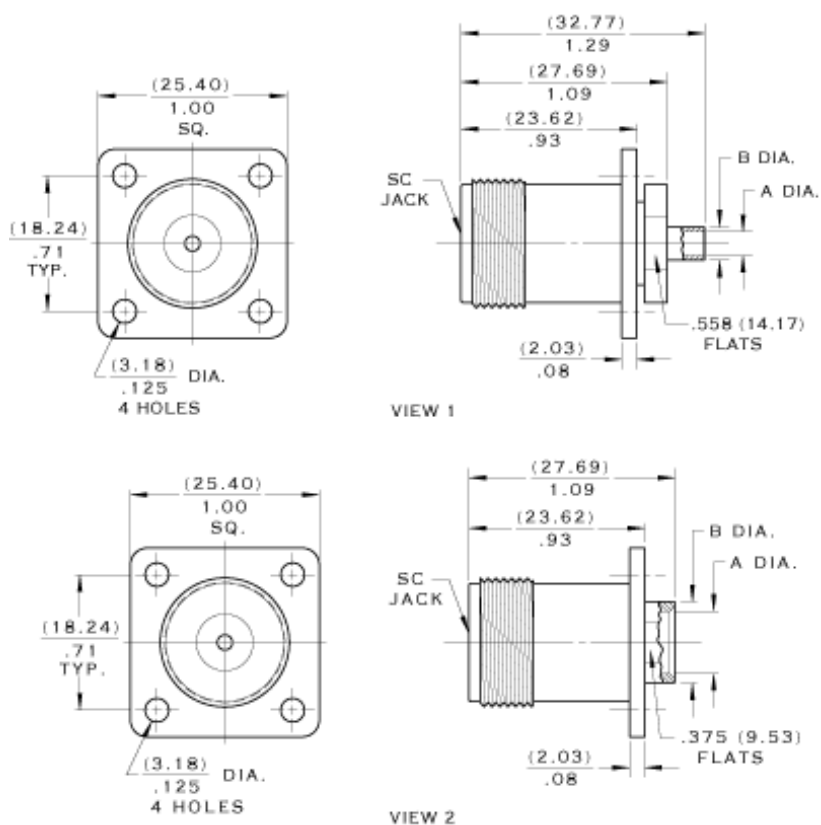
Search:  in



### SC jack, flanged - 29648

[Catalog Home](#) -> [Microwave Connectors](#) -> [SC Interface](#) -> [Semi-Rigid Cable Connectors](#) -> SC jack, flanged - 29648

### SC jack, flanged 29648



- frequency 11 GHz max.
- figure [N2 flange](#) detail

CABLE	PART NO.	CABLE DIA.		A DIA.		B DIA.		VIEW
		IN.	MM	IN.	MM	IN.	MM	
ASTROLAB 31000; RG-402	29048-1	.141	3.58	.144	3.66	.175	4.45	1
ASTROLAB 31086; RG-405	29048-2	.086	2.18	.089	2.26	.125	3.18	1
RG-401	29048-4	.250	6.35	.255	6.48	.430	10.92	2
	29048-5	.325	8.26	.330	8.38	.420	10.92	2

Select Part No.:

[Click here](#) to view your cart.

#### Browse By Category

[Catalog Home](#)  
[Microwave Cable Assemblies](#)  
[Microwave Cable](#)  
[Microwave Connectors](#)  
[Contacts](#)

[Adaptors Between Series](#)  
[Surge Protection Adaptors](#)  
[Phase Shifters](#)  
[Other Passive Components](#)

Search:

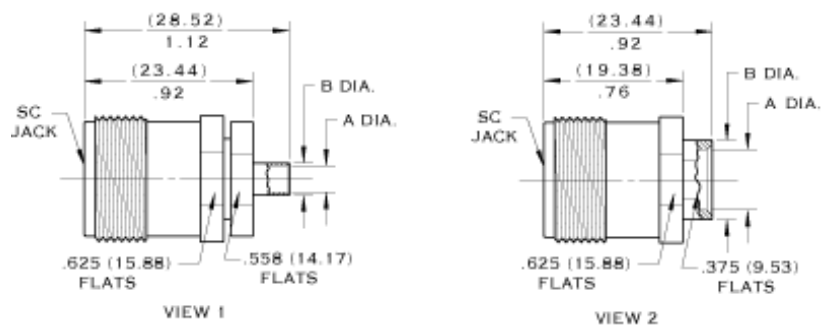
in



## SC jack - 29621

[Catalog Home](#) -> [Microwave Connectors](#) -> [SC Interface](#) -> [Semi-Rigid Cable Connectors](#) -> SC jack - 29621

### SC jack 29621



- frequency 11 GHz max.

CABLE	PART NO.	CABLE DIA.		A DIA.		B DIA.		VIEW
		IN.	MM	IN.	MM	IN.	MM	
ASTROLAB 31000; RG-402	29021-1	.141	3.58	.144	3.66	.175	4.45	1
ASTROLAB 31086; RG-405	29021-2	.086	2.18	.089	2.26	.125	3.18	1
RG-401	29021-4	.250	6.35	.255	6.48	.430	10.92	2
	29021-5	.325	8.26	.330	8.38	.430	10.92	2

Select Part No.:

[Click here](#) to view your cart.

#### Browse By Category

[Catalog Home](#)

[Microwave Cable Assemblies](#)

[Microwave Cable](#)

[Microwave Connectors](#)

[Contacts](#)

[Adaptors Between Series](#)

[Surge Protection Adaptors](#)

[Phase Shifters](#)

[Other Passive Components](#)

Tel: (732) 560-3800

Fax: (732) 560-9570

[support@astrolab.com](mailto:support@astrolab.com)

Search:

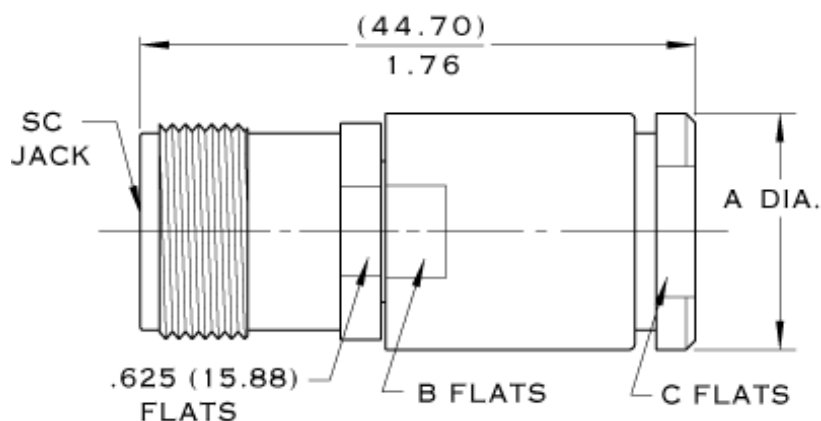
in



### SC jack - 29607

[Catalog Home](#) -> [Microwave Connectors](#) -> [SC Interface](#) -> [Semi-Rigid Cable Connectors](#) -> SC jack - 29607

#### SC jack 29607



- frequency 10 GHz max.

CABLE	PART NO.	A DIA.		B FLATS		C FLATS	
		IN.	MM	IN.	MM	IN.	MM
ASTROLAB 34000	29607-34	.750	19.05	.690	17.53	.625	15.88
ASTROLAB 37000	29607-37	.875	22.23	.750	19.05	.750	19.05

**Select Part No.:**

[Click here](#) to view your cart.

#### Browse By Category

[Catalog Home](#)  
[Microwave Cable Assemblies](#)  
[Microwave Cable](#)  
[Microwave Connectors](#)  
[Contacts](#)

[Adaptors Between Series](#)  
[Surge Protection Adaptors](#)  
[Phase Shifters](#)  
[Other Passive Components](#)

Tel: (732) 560-3800

Fax: (732) 560-9570

[support@astrolab.com](mailto:support@astrolab.com)

Search:

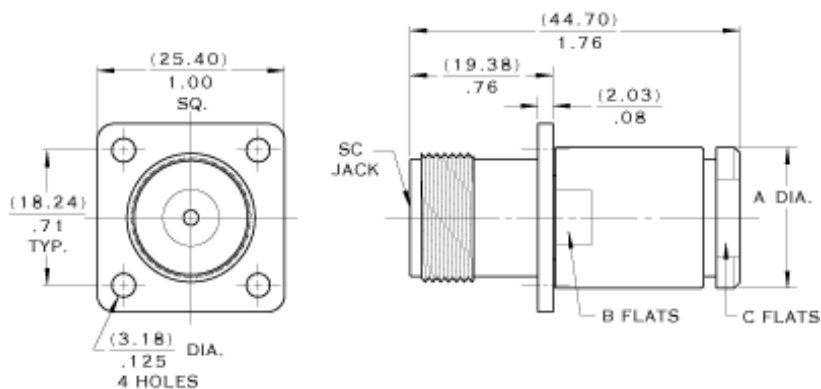
in



### SC jack, flanged - 29607F

[Catalog Home](#) -> [Microwave Connectors](#) -> [SC Interface](#) -> [Semi-Rigid Cable Connectors](#) -> SC jack, flanged - 29607F

### SC jack, flanged 29607F



- frequency 10 GHz max.
- figure [N2 flange](#) detail

CABLE	PART NO.	A DIA.		B FLATS		C FLATS	
		IN.	MM	IN.	MM	IN.	MM
ASTROLAB 34000	29607F-34	.750	19.05	.690	17.53	.625	15.88
ASTROLAB 37000	29607F-37	.875	22.23	.750	19.05	.750	19.05

Select Part No.:

[Click here](#) to view your cart.

#### Browse By Category

[Catalog Home](#)  
[Microwave Cable Assemblies](#)  
[Microwave Cable](#)  
[Microwave Connectors](#)  
[Contacts](#)

[Adaptors Between Series](#)  
[Surge Protection Adaptors](#)  
[Phase Shifters](#)  
[Other Passive Components](#)

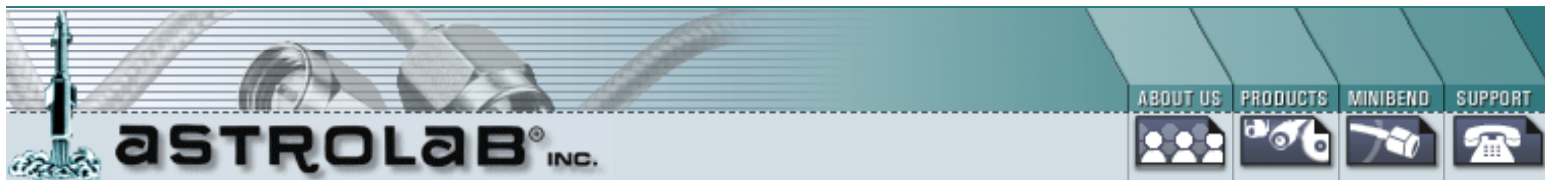
Tel: (732) 560-3800

Fax: (732) 560-9570

[support@astrolab.com](mailto:support@astrolab.com)

Search:

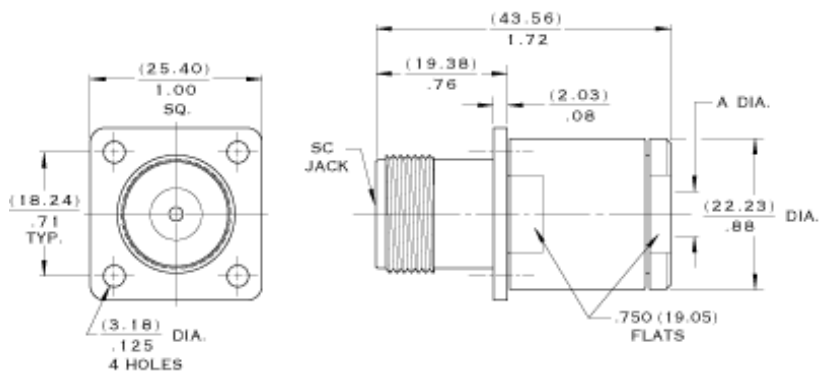
in



### SC jack, flanged - 29607F-4

[Catalog Home](#) -> [Microwave Connectors](#) -> [SC Interface](#) -> [Semi-Rigid Cable Connectors](#) -> SC jack, flanged - 29607F-4

### SC jack, flanged 29607F-4



- frequency 10 GHz max.
- figure [N2 flange](#) detail

PART NO.	CABLE DIA.		A DIA.		TYPE
	IN.	MM	IN.	MM	
29607F-4S	.500	12.70	.505	12.83	spline
29607F-4C	.500	12.70	.505	12.83	corrugated
29607F-4F	.500	12.70	.505	12.83	foamflex

Select Part No.:

[Click here](#) to view your cart.

#### Browse By Category

[Catalog Home](#)  
[Microwave Cable Assemblies](#)  
[Microwave Cable](#)  
[Microwave Connectors](#)  
[Contacts](#)

[Adaptors Between Series](#)  
[Surge Protection Adaptors](#)  
[Phase Shifters](#)  
[Other Passive Components](#)

Tel: (732) 560-3800

Fax: (732) 560-9570

[support@astrolab.com](mailto:support@astrolab.com)

Search:

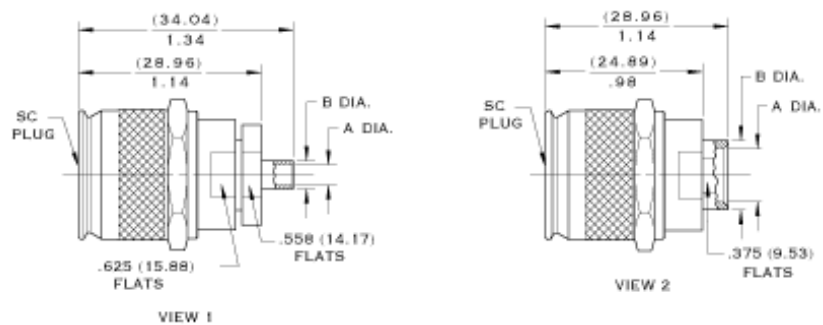
in



### SC plug - 29620

[Catalog Home](#) -> [Microwave Connectors](#) -> [SC Interface](#) -> [Semi-Rigid Cable Connectors](#) -> SC plug - 29620

### SC plug 29620



- frequency 11 GHz max.

CABLE	PART NO.	CABLE DIA.		A DIA.		B DIA.		VIEW
		IN.	MM	IN.	MM	IN.	MM	
ASTROLAB 31000; RG-402	29620-1	.141	3.58	.144	3.66	.175	4.45	1
ASTROLAB 31086; RG-405	29620-2	.086	2.18	.089	2.26	.125	3.18	1
RG-401	29620-4	.250	6.35	.255	6.48	.430	10.92	2
	29620-5	.325	8.26	.330	8.38	.430	10.92	2

Select Part No.:

[Click here](#) to view your cart.

#### Browse By Category

[Catalog Home](#)

[Microwave Cable Assemblies](#)

[Microwave Cable](#)

[Microwave Connectors](#)

[Contacts](#)

[Adaptors Between Series](#)

[Surge Protection Adaptors](#)

[Phase Shifters](#)

[Other Passive Components](#)

Tel: (732) 560-3800

Fax: (732) 560-9570

[support@astrolab.com](mailto:support@astrolab.com)

Search:

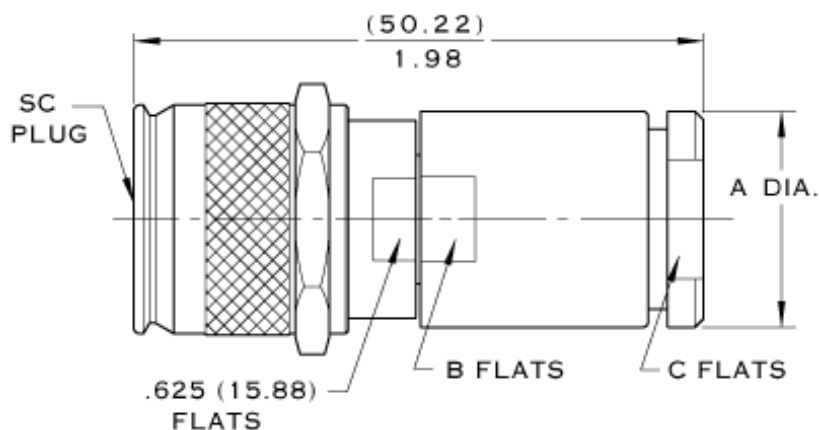
in



### SC plug - 29608

[Catalog Home](#) -> [Microwave Connectors](#) -> [SC Interface](#) -> [Semi-Rigid Cable Connectors](#) -> SC plug - 29608

#### SC plug 29608



- frequency 10 GHz max.

CABLE	PART NO.	A DIA.		B FLATS		C FLATS	
		IN.	MM	IN.	MM	IN.	MM
ASTROLAB 34000	29608-34	.750	19.05	.690	17.53	.625	15.88
ASTROLAB 37000	29608-37	.875	22.23	.750	19.05	.750	19.05

**Select Part No.:**

[Click here](#) to view your cart.

#### Browse By Category

[Catalog Home](#)  
[Microwave Cable Assemblies](#)  
[Microwave Cable](#)  
[Microwave Connectors](#)  
[Contacts](#)

[Adaptors Between Series](#)  
[Surge Protection Adaptors](#)  
[Phase Shifters](#)  
[Other Passive Components](#)

Tel: (732) 560-3800

Fax: (732) 560-9570

[support@astrolab.com](mailto:support@astrolab.com)

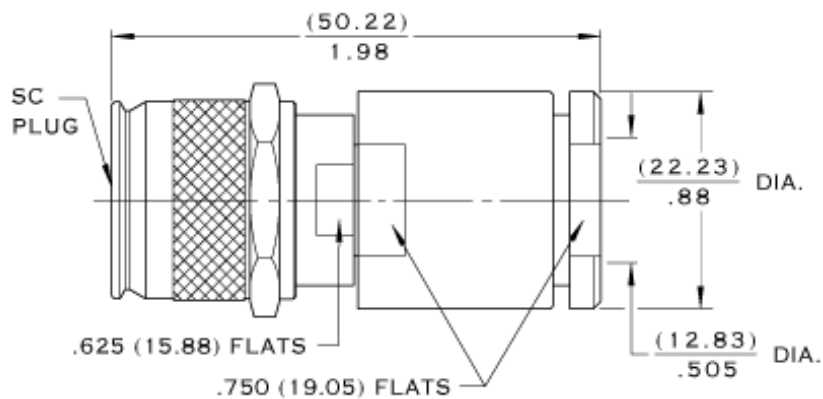
Search: \_\_\_\_\_ in \_\_\_\_\_



### SC plug - 29608-4

[Catalog Home](#) -> [Microwave Connectors](#) -> [SC Interface](#) -> [Semi-Rigid Cable Connectors](#) -> SC plug - 29608-4

#### SC plug 29608-4



- frequency 10 GHz max.
- uses .500 (12.70) dia. cable

PART NO.	CABLE DIA.		TYPE
	IN.	MM	
29608-4S	.500	12.70	spline
29608-4C	.500	12.70	corrugated
29608-4F	.500	12.70	foamflex

**Select Part No.:**

[Click here](#) to view your cart.

#### Browse By Category

[Catalog Home](#)  
[Microwave Cable Assemblies](#)  
[Microwave Cable](#)  
[Microwave Connectors](#)  
[Contacts](#)

[Adaptors Between Series](#)  
[Surge Protection Adaptors](#)  
[Phase Shifters](#)  
[Other Passive Components](#)

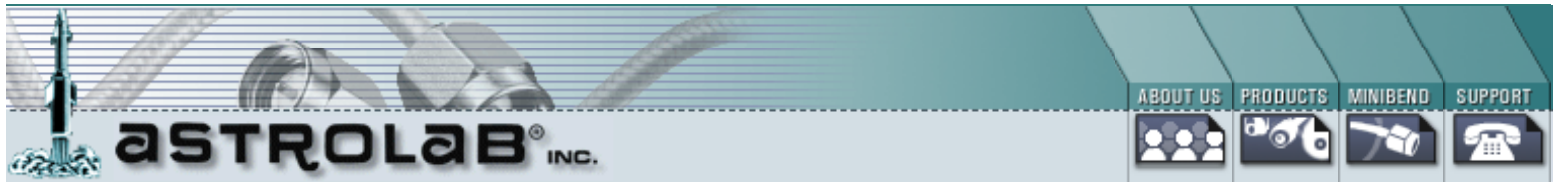
Tel: (732) 560-3800

Fax: (732) 560-9570

[support@astrolab.com](mailto:support@astrolab.com)

Search:

in



### Panel Mount Connectors

[Catalog Home](#) -> [Microwave Connectors](#) -> [SC Interface](#) -> Panel Mount Connectors

Please continue your selection below:

- [90° sweep SC jack, flanged - 29730](#)
- [SC jack, flanged - 29634](#)
- [SC plug, flanged - 29647](#)

### Browse By Category

[Catalog Home](#)

[Microwave Cable Assemblies](#)

[Microwave Cable](#)

[Microwave Connectors](#)

[Contacts](#)

[Adaptors Between Series](#)

[Surge Protection Adaptors](#)

[Phase Shifters](#)

[Other Passive Components](#)

Tel: (732) 560-3800

Fax: (732) 560-9570

[support@astrolab.com](mailto:support@astrolab.com)

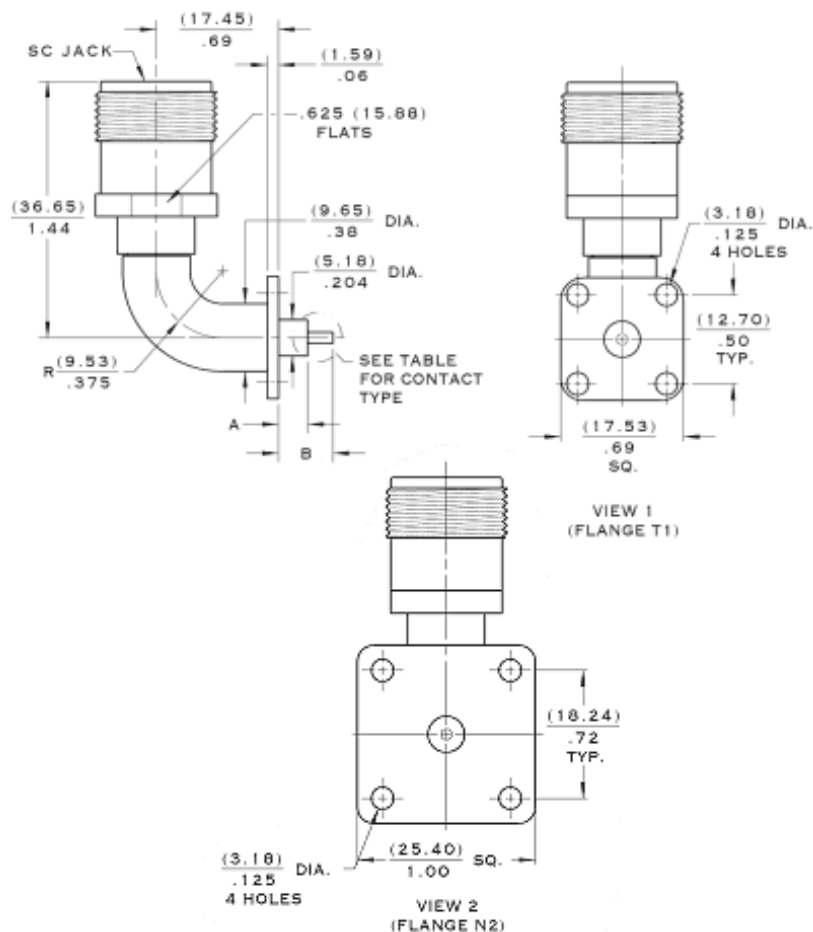
Search: \_\_\_\_\_ in \_\_\_\_\_



### 90° sweep SC jack, flanged - 29730

[Catalog Home](#) -> [Microwave Connectors](#) -> [SC Interface](#) -> [Panel Mount Connectors](#) -> 90° sweep SC jack, flanged - 29730

### 90° sweep SC jack, flanged 29730



- frequency 11 GHz max.
- [flanged](#)

PART NO.	CONTACT TYPE	A		B		VIEW
		IN.	MM	IN.	MM	
29730-1	1AS	.062	1.57	.162	4.11	1
29730-2	2AS	.000	0.00	.100	2.54	1
29730-3	3AS	.062	.157	.162	4.11	1
29730-4	4AS	.000	0.00	.100	2.54	1
29730-5	5AS	.000	0.00	.100	2.54	1
29730-6	1AS	.062	1.57	.162	4.11	2
29730-7	2AS	.000	0.00	.100	2.54	2
29730-8	3AS	.062	1.57	.162	4.11	2
29730-9	4AS	.000	0.00	.100	2.54	2
29730-10	5AS	.000	0.00	.100	2.54	2

Select Part No.:

[Click here](#) to view your cart.

**Browse By Category**

[Catalog Home](#)

[Microwave Cable Assemblies](#)

[Microwave Cable](#)

[Microwave Connectors](#)

[Contacts](#)

[Adaptors Between Series](#)

[Surge Protection Adaptors](#)

[Phase Shifters](#)

[Other Passive Components](#)

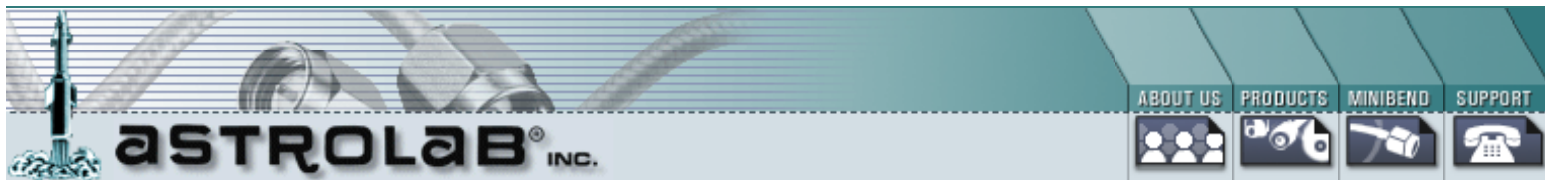
Tel: (732) 560-3800

Fax: (732) 560-9570

[support@astrolab.com](mailto:support@astrolab.com)

Search:

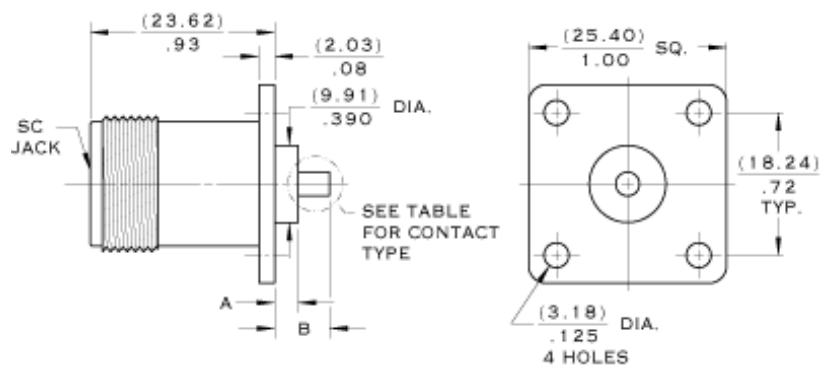
in



### SC jack, flanged - 29634

[Catalog Home](#) -> [Microwave Connectors](#) -> [SC Interface](#) -> [Panel Mount Connectors](#) -> SC jack, flanged - 29634

### SC jack, flanged 29634



- frequency 11 GHz max.
- figure [N2 flange](#) detail

PART NO.	CONTACT TYPE	A		B	
		IN.	MM	IN.	MM
29634-1C	2A	.000	0.00	.050	1.27
29634-2C	1A	.120	3.05	.370	9.40
29634-3C	5A	.050	1.27	.100	2.54
29634-4C	5A	.000	0.00	.100	2.54
29634-5C	1A	.300	7.62	.550	13.97
29634-6C	8P	.000	0.00	.000	0.00
29634-8C	3A	.125	3.18	.175	4.45
29634-9C	2A*	.300	7.62	.490	12.45

\*slot length is .170 (4.32)

**Select Part No.:**

[Click here](#) to view your cart.

#### Browse By Category

[Catalog Home](#)  
[Microwave Cable Assemblies](#)  
[Microwave Cable](#)  
[Microwave Connectors](#)  
[Contacts](#)

[Adaptors Between Series](#)  
[Surge Protection Adaptors](#)  
[Phase Shifters](#)  
[Other Passive Components](#)

Tel: (732) 560-3800

Fax: (732) 560-9570

[support@astrolab.com](mailto:support@astrolab.com)

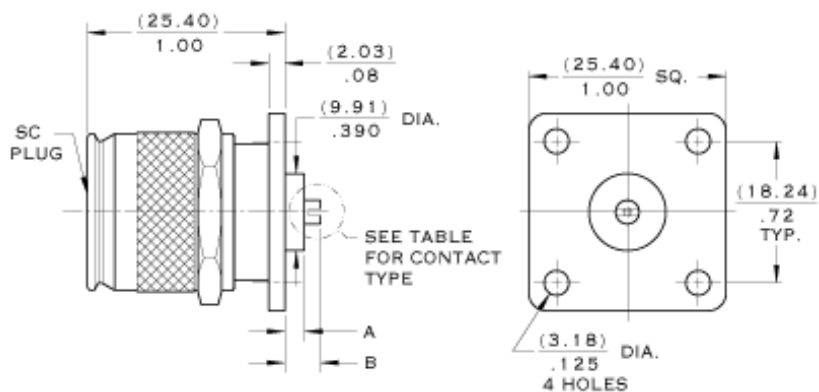
Search:  in



### SC plug, flanged - 29647

[Catalog Home](#) -> [Microwave Connectors](#) -> [SC Interface](#) -> [Panel Mount Connectors](#) -> SC plug, flanged - 29647

### SC plug, flanged 29647



- frequency 11 GHz max.
- figure [N2 flange](#) detail

PART NO.	CONTACT TYPE	A		B	
		IN.	MM	IN.	MM
29647-1C	2A	.000	0.00	.050	1.27
29647-2C	1A	.120	3.05	.370	9.40
29647-3C	5A	.050	1.27	.100	2.54
29647-4C	5A	.000	0.00	.100	2.54
29647-5C	1A	.300	7.62	.550	13.97
29647-6C	8A	.000	0.00	.000	0.00

Select Part No.:

[Click here](#) to view your cart.

#### Browse By Category

[Catalog Home](#)  
[Microwave Cable Assemblies](#)  
[Microwave Cable](#)  
[Microwave Connectors](#)  
[Contacts](#)

[Adaptors Between Series](#)  
[Surge Protection Adaptors](#)  
[Phase Shifters](#)  
[Other Passive Components](#)

Tel: (732) 560-3800

Fax: (732) 560-9570

[support@astrolab.com](mailto:support@astrolab.com)

Search:  in