


[ABOUT US](#)
[PRODUCTS](#)
[MINIBEND](#)
[SUPPORT](#)


Semi-Rigid Cable Connectors

[Catalog Home](#) -> [Microwave Connectors](#) -> [TNC Interface](#) -> Semi-Rigid Cable Connectors

Please continue your selection below:

- [90° sweep precision TNC jack - 29737](#)
- [90° sweep TNC jack - 29646](#)
- [90° sweep precision TNC jack, flanged - 29725](#)
- [90° sweep precision TNC plug - 29739](#)
- [90° sweep TNC plug - 29645](#)
- [90° sweep precision TNC plug, flanged - 29724](#)
- [45° sweep precision TNC jack - 29784](#)
- [45° sweep precision TNC plug - 29782](#)
- [TNC jack, bulkhead - 29320](#)
- [TNC jack, bulkhead - 29320P](#)
- [TNC jack, bulkhead - 29320-5](#)
- [TNC jack, bulkhead - 29320](#)
- [hermetic TNC jack, bulkhead - 29320G](#)
- [precision TNC jack, flanged - 29715F](#)
- [precision TNC jack - 29715](#)
- [TNC jack - 29615-34](#)
- [TNC jack - 29617-37](#)
- [TNC plug - 29614-34](#)
- [TNC plug - 29616-37](#)
- [TNC plug - 29714](#)

Browse By Category

[Catalog Home](#)
[Microwave Cable Assemblies](#)
[Microwave Cable](#)
[Microwave Connectors](#)
[Contacts](#)
[Adaptors Between Series](#)
[Surge Protection Adaptors](#)
[Phase Shifters](#)
[Other Passive Components](#)

Tel: (732) 560-3800

Fax: (732) 560-9570

support@astrolab.com

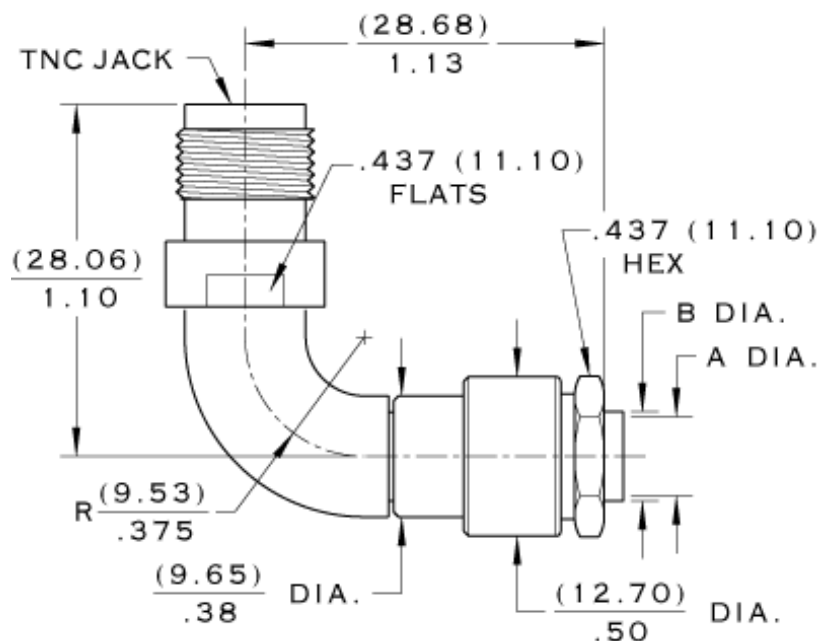
Search: in



90° sweep precision TNC jack - 29737

[Catalog Home](#) -> [Microwave Connectors](#) -> [TNC Interface](#) -> [Semi-Rigid Cable Connectors](#) -> 90° sweep precision TNC jack - 29737

90° sweep precision TNC jack 29737



- frequency 18 GHz max.
(Max. frequency can be limited by cable.)

CABLE	PART NO.	CABLE DIA.		A DIA.		B DIA.	
		IN.	MM	IN.	MM	IN.	MM
ASTROLAB 31000; RG-402	29737-1	.141	3.58	.144	3.66	.175	4.45
ASTROLAB 31086; RG-405	29737-2	.086	2.18	.089	2.26	.125	3.18
RG-401	29737-3	.250	6.35	.255	6.48	.280	7.11
ASTROLAB 33000	29737-33	ASTROLAB 33000		.238	6.05	.280	7.11

Select Part No.:

[Click here](#) to view your cart.

Browse By Category

[Catalog Home](#)
[Microwave Cable Assemblies](#)
[Microwave Cable](#)
[Microwave Connectors](#)
[Contacts](#)

[Adaptors Between Series](#)
[Surge Protection Adaptors](#)
[Phase Shifters](#)
[Other Passive Components](#)

Tel: (732) 560-3800

Fax: (732) 560-9570

support@astrolab.com

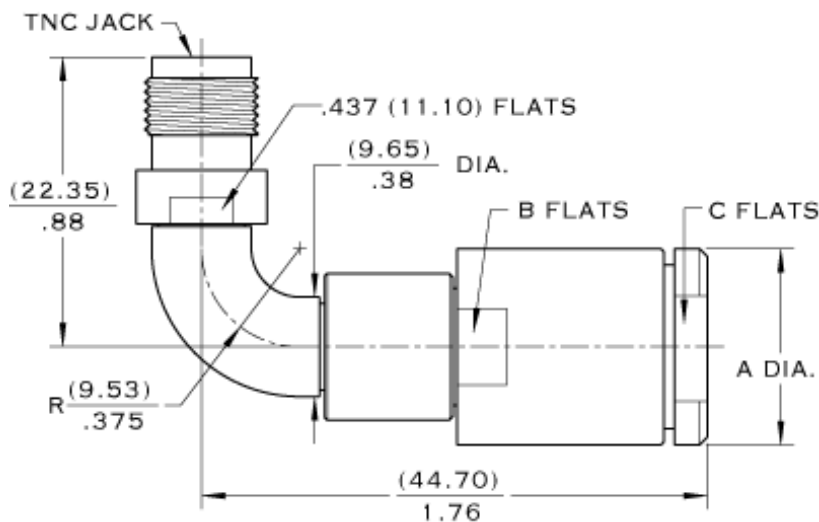
Search: in



90° sweep TNC jack - 29646

[Catalog Home](#) -> [Microwave Connectors](#) -> [TNC Interface](#) -> [Semi-Rigid Cable Connectors](#) -> 90° sweep TNC jack - 29646

90° sweep TNC jack 29646



- frequency 10 GHz max.
(Max. frequency can be limited by cable.)
- clamp

CABLE	PART NO.	A DIA.		B FLATS		C FLATS	
		IN.	MM	IN.	MM	IN.	MM
ASTROLAB 34000	29646-34	.750	19.05	.690	17.53	.625	15.88
ASTROLAB 37000	29646-37	.875	22.23	.750	19.05	.750	19.05

Select Part No.:

[Click here](#) to view your cart.

Browse By Category

[Catalog Home](#)
[Microwave Cable Assemblies](#)
[Microwave Cable](#)
[Microwave Connectors](#)
[Contacts](#)

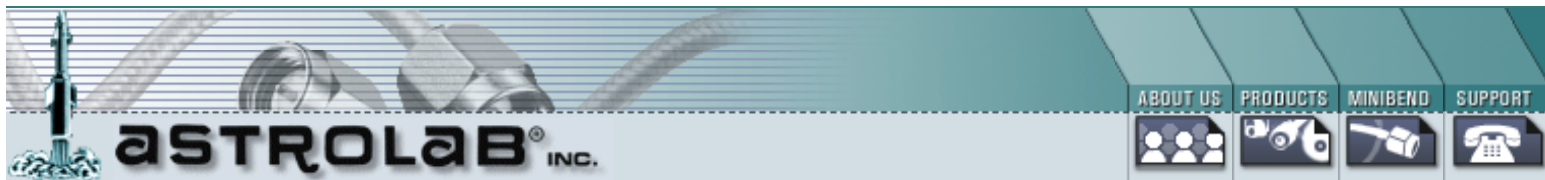
[Adaptors Between Series](#)
[Surge Protection Adaptors](#)
[Phase Shifters](#)
[Other Passive Components](#)

Tel: (732) 560-3800

Fax: (732) 560-9570

support@astrolab.com

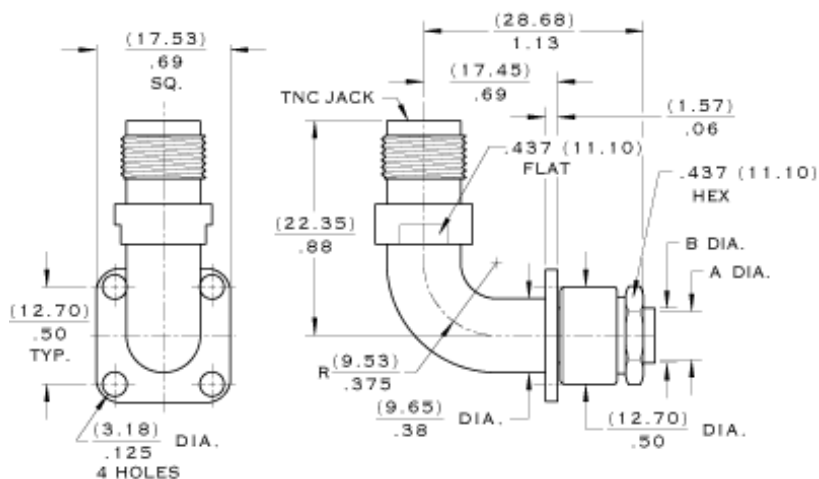
Search: _____ in _____



90° sweep precision TNC jack, flanged - 29725

[Catalog Home](#) -> [Microwave Connectors](#) -> [TNC Interface](#) -> [Semi-Rigid Cable Connectors](#) -> 90° sweep precision TNC jack, flanged - 29725

90° sweep precision TNC jack, flanged 29725



- frequency 18 GHz max.
(Max. frequency can be limited by cable.)
- figure [T1 flange](#) detail

CABLE	PART NO.	CABLE DIA.		A DIA.		B DIA.	
		IN.	MM	IN.	MM	IN.	MM
ASTROLAB 31000; RG-402	29725-1	.141	3.58	.144	3.66	.175	4.45
ASTROLAB 31086; RG-405	29725-2	.086	2.18	.089	2.26	.125	3.18
RG-401	29725-3	.250	6.35	.255	6.48	.280	7.11
ASTROLAB 33000	29725-33	ASTROLAB 33000		.238	6.05	.280	7.11

Select Part No.:

[Click here](#) to view your cart.

Browse By Category

[Catalog Home](#)
[Microwave Cable Assemblies](#)
[Microwave Cable](#)
[Microwave Connectors](#)
[Contacts](#)

[Adaptors Between Series](#)
[Surge Protection Adaptors](#)
[Phase Shifters](#)
[Other Passive Components](#)

Tel: (732) 560-3800

Fax: (732) 560-9570

support@astrolab.com

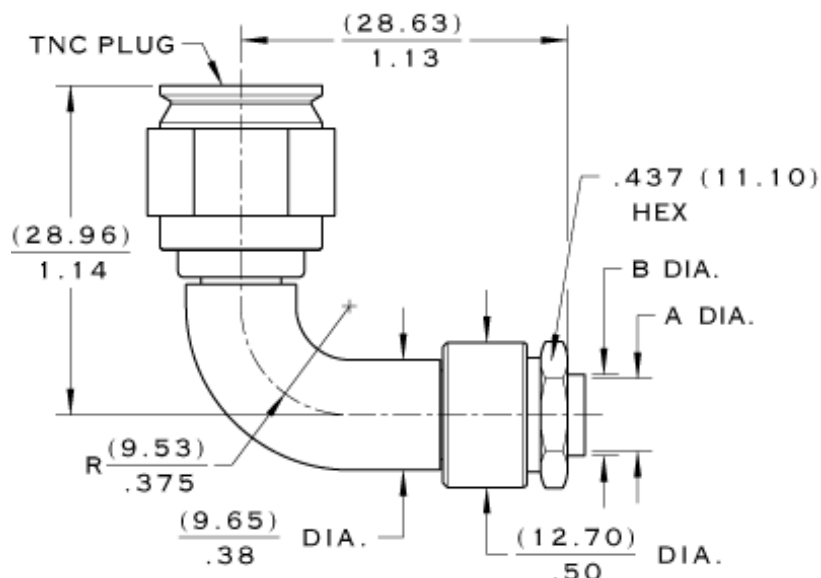
Search: in



90° sweep precision TNC plug - 29739

[Catalog Home](#) -> [Microwave Connectors](#) -> [TNC Interface](#) -> [Semi-Rigid Cable Connectors](#) -> 90° sweep precision TNC plug - 29739

90° sweep precision TNC plug 29739



- frequency 18 GHz max.
(Max. frequency can be limited by cable.)

CABLE	PART NO.	CABLE DIA.		A DIA.		B DIA.	
		IN.	MM	IN.	MM	IN.	MM
ASTROLAB 31000; RG-402	29739-1	.141	3.58	.144	3.66	.175	4.45
ASTROLAB 31086; RG-405	29739-2	.086	2.18	.089	2.26	.125	3.18
RG-401	29739-3	.250	6.35	.255	6.48	.280	7.11
ASTROLAB 33000	29739-33	ASTROLAB 33000		.238	6.05	.280	7.11

Select Part No.:

[Click here](#) to view your cart.

Browse By Category

[Catalog Home](#)

[Microwave Cable Assemblies](#)

[Microwave Cable](#)

[Microwave Connectors](#)

[Contacts](#)

[Adaptors Between Series](#)

[Surge Protection Adaptors](#)

[Phase Shifters](#)

[Other Passive Components](#)

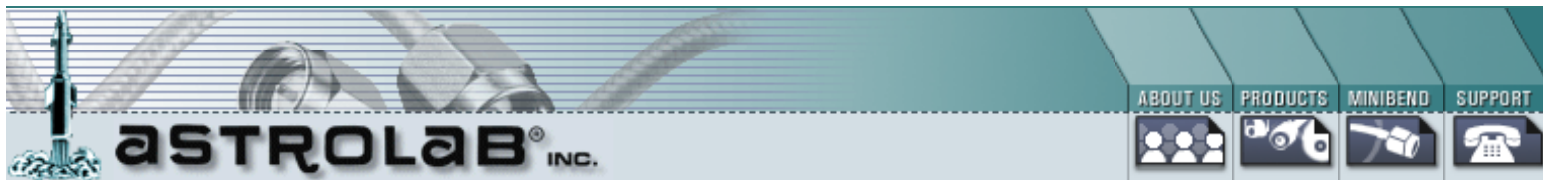
Tel: (732) 560-3800

Fax: (732) 560-9570

support@astrolab.com

Search:

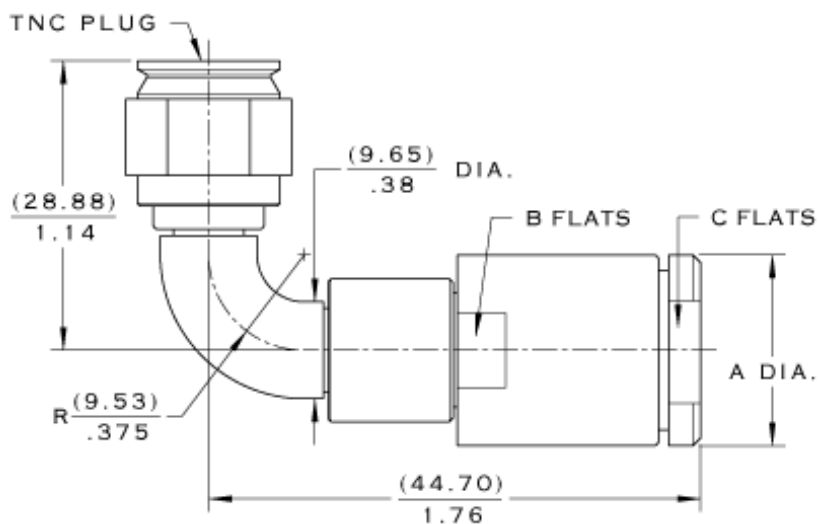
in



90° sweep TNC plug - 29645

[Catalog Home](#) -> [Microwave Connectors](#) -> [TNC Interface](#) -> [Semi-Rigid Cable Connectors](#) -> 90° sweep TNC plug - 29645

90° sweep TNC plug 29645



- frequency 10 GHz max.
(Max. frequency can be limited by cable.)
- clamp

CABLE	PART NO.	A DIA.		B FLATS		C FLATS	
		IN.	MM	IN.	MM	IN.	MM
ASTROLAB 34000	29645-34	.750	19.05	.690	17.53	.625	15.88
ASTROLAB 37000	29645-37	.875	22.23	.750	19.05	.750	19.05

Select Part No.:

[Click here](#) to view your cart.

Browse By Category

[Catalog Home](#)
[Microwave Cable Assemblies](#)
[Microwave Cable](#)
[Microwave Connectors](#)
[Contacts](#)

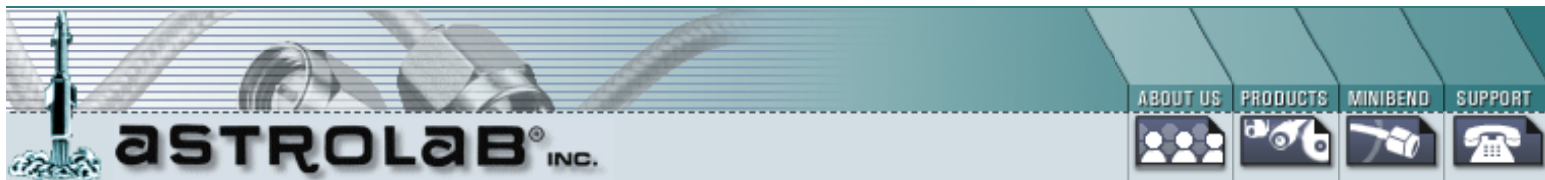
[Adaptors Between Series](#)
[Surge Protection Adaptors](#)
[Phase Shifters](#)
[Other Passive Components](#)

Tel: (732) 560-3800

Fax: (732) 560-9570

support@astrolab.com

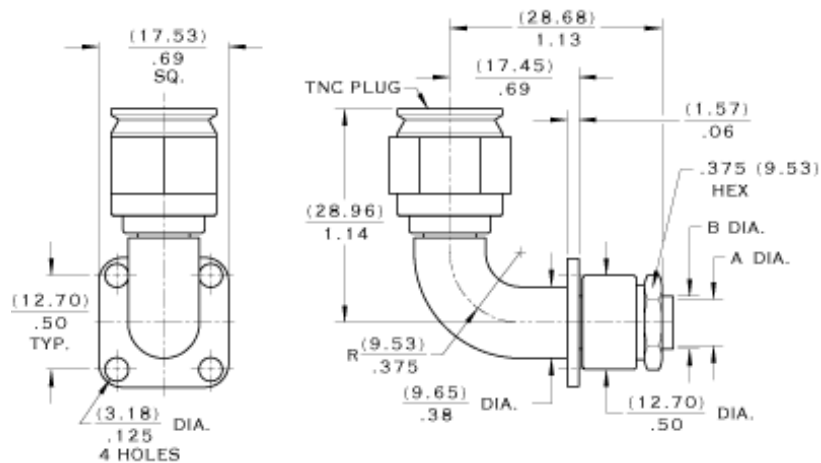
Search: _____ in _____



90° sweep precision TNC plug, flanged - 29724

[Catalog Home](#) -> [Microwave Connectors](#) -> [TNC Interface](#) -> [Semi-Rigid Cable Connectors](#) -> 90° sweep precision TNC plug, flanged - 29724

90° sweep precision TNC plug, flanged 29724



- frequency 18 GHz max.
(Max. frequency can be limited by cable.)
- figure [T1 flange](#) detail

CABLE	PART NO.	CABLE DIA.		A DIA.		B DIA.	
		IN.	MM	IN.	MM	IN.	MM
ASTROLAB 31000; RG-402	29724-1	.141	3.58	.144	3.66	.175	4.45
ASTROLAB 31086; RG-405	29724-2	.086	2.18	.089	2.26	.125	3.18
RG-401	29724-3	.250	6.35	.255	6.48	.280	7.11
ASTROLAB 33000	29724-33	ASTROLAB 33000		.238	6.05	.280	7.11

Select Part No.:

[Click here](#) to view your cart.

Browse By Category

[Catalog Home](#)
[Microwave Cable Assemblies](#)
[Microwave Cable](#)
[Microwave Connectors](#)
[Contacts](#)

[Adaptors Between Series](#)
[Surge Protection Adaptors](#)
[Phase Shifters](#)
[Other Passive Components](#)

Tel: (732) 560-3800

Fax: (732) 560-9570

support@astrolab.com

Search:

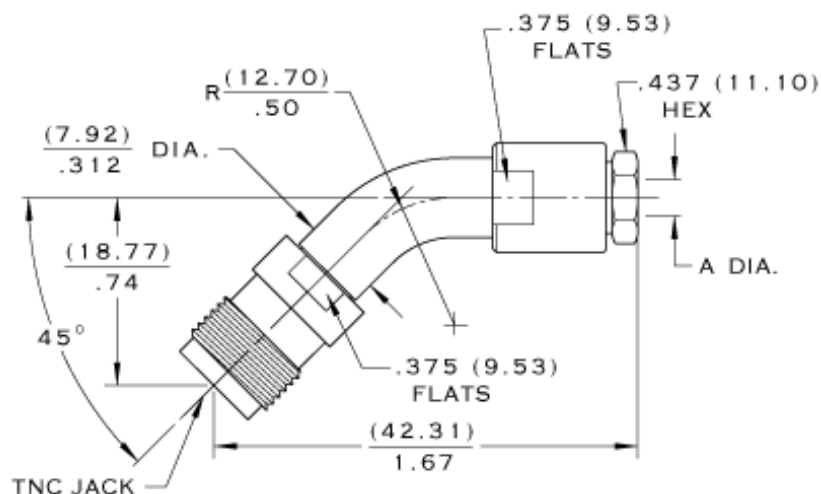
in



45° sweep precision TNC jack - 29784

[Catalog Home](#) -> [Microwave Connectors](#) -> [TNC Interface](#) -> [Semi-Rigid Cable Connectors](#) -> 45° sweep precision TNC jack - 29784

45° sweep precision TNC jack 29784



- frequency 18 GHz max.
(Max. frequency can be limited by cable.)

CABLE	PART NO.	CABLE DIA.		A DIA.	
		IN.	MM	IN.	MM
ASTROLAB 31000, RG-402	29784-1	.141	3.58	.144	3.66
ASTROLAB 31086, RG-405	29784-2	.086	2.18	.089	2.26

Select Part No.:

[Click here](#) to view your cart.

Browse By Category

[Catalog Home](#)

[Microwave Cable Assemblies](#)

[Microwave Cable](#)

[Microwave Connectors](#)

[Contacts](#)

[Adaptors Between Series](#)

[Surge Protection Adaptors](#)

[Phase Shifters](#)

[Other Passive Components](#)

Tel: (732) 560-3800

Fax: (732) 560-9570

support@astrolab.com

Search:

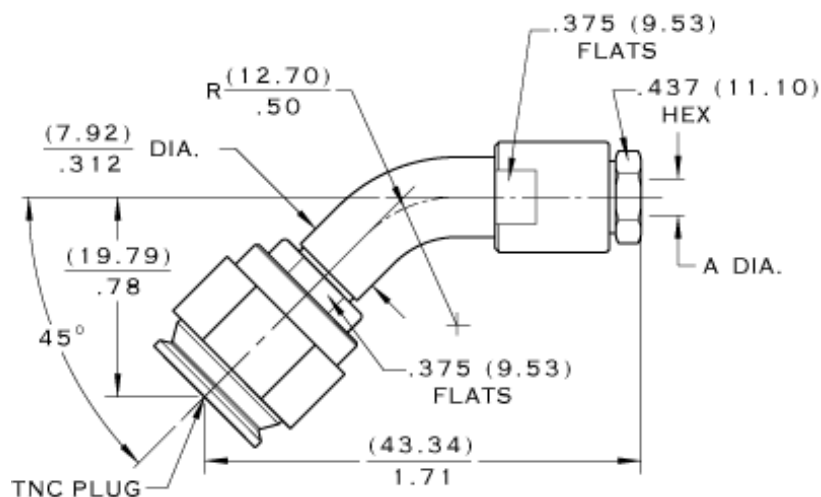
in



45° sweep precision TNC plug - 29782

[Catalog Home](#) -> [Microwave Connectors](#) -> [TNC Interface](#) -> [Semi-Rigid Cable Connectors](#) -> 45° sweep precision TNC plug - 29782

45° sweep precision TNC plug 29782



- frequency 18 GHz max.
(Max. frequency can be limited by cable.)

CABLE	PART NO.	CABLE DIA.		A DIA.	
		IN.	MM	IN.	MM
ASTROLAB 31000, RG-402	29782-1	.141	3.58	.144	3.66
ASTROLAB 31086, RG-405	29782-2	.086	2.18	.089	2.26

Select Part No.:

[Click here](#) to view your cart.

Browse By Category

[Catalog Home](#)

[Microwave Cable Assemblies](#)

[Microwave Cable](#)

[Microwave Connectors](#)

[Contacts](#)

[Adaptors Between Series](#)

[Surge Protection Adaptors](#)

[Phase Shifters](#)

[Other Passive Components](#)

Tel: (732) 560-3800

Fax: (732) 560-9570

support@astrolab.com

Search:

in

Select Part No.:

[Click here](#) to view your cart.

Browse By Category

[Catalog Home](#)

[Microwave Cable Assemblies](#)

[Microwave Cable](#)

[Microwave Connectors](#)

[Contacts](#)

[Adaptors Between Series](#)

[Surge Protection Adaptors](#)

[Phase Shifters](#)

[Other Passive Components](#)

Tel: (732) 560-3800

Fax: (732) 560-9570

support@astrolab.com

Search:

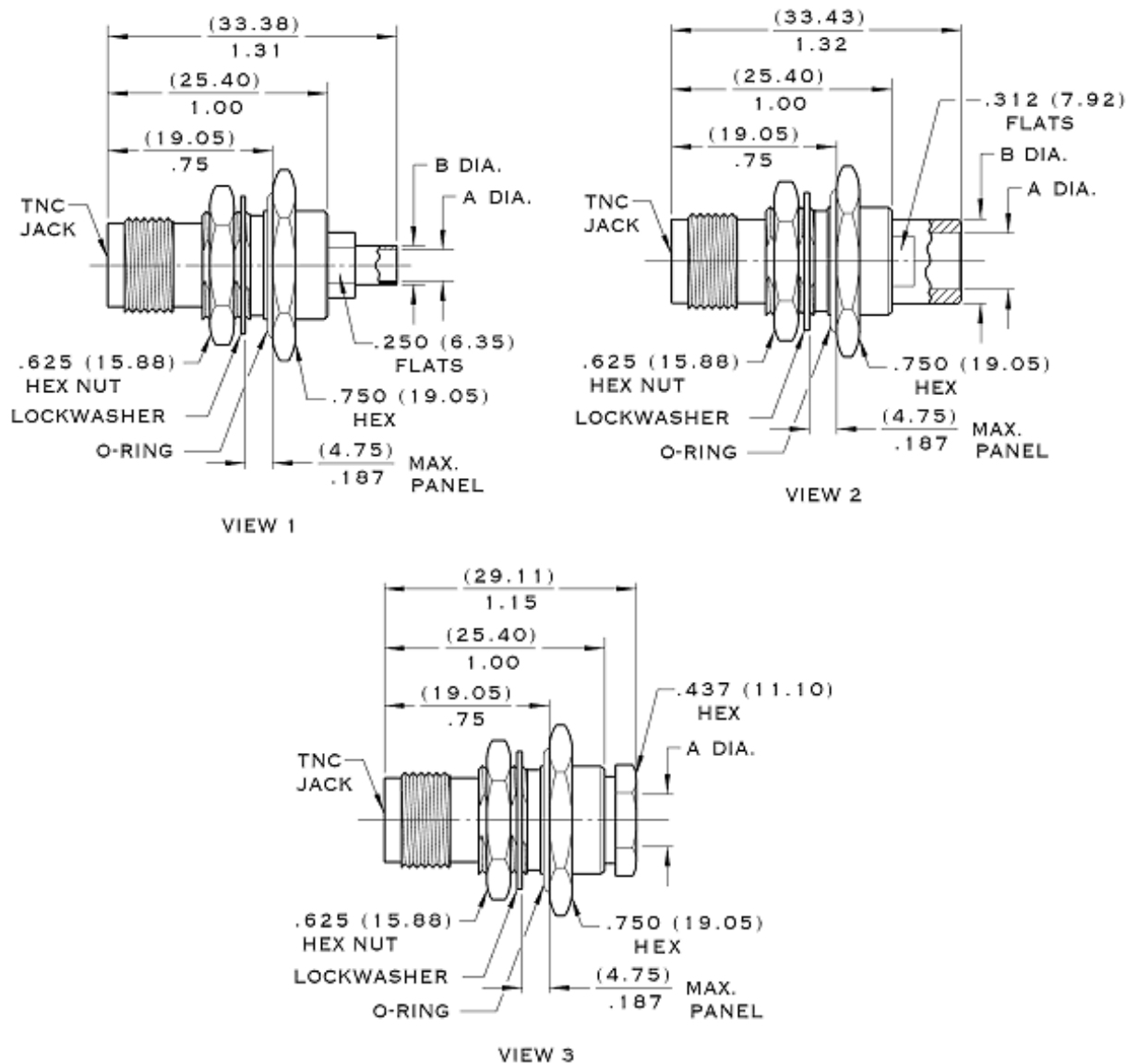
in



TNC jack, bulkhead - 29320P

[Catalog Home](#) -> [Microwave Connectors](#) -> [TNC Interface](#) -> [Semi-Rigid Cable Connectors](#) -> TNC jack, bulkhead - 29320P

TNC jack, bulkhead 29320P



- frequency 18 GHz max.
- figure [PC5 panel cut](#)

CABLE	PART NO. 18GHz MAX.	CABLE DIA.		A DIA.		B DIA.		VIEW
		IN.	MM	IN.	MM	IN.	MM	
ASTROLAB 31000; RG-402	29320P-1	.141	3.58	.144	3.66	.175	4.45	1
ASTROLAB 31086; RG-405	29320P-2	.086	2.18	.089	2.26	.125	3.18	1
RG-401	29320P-4	.250	6.35	.255	6.48	.385	9.78	2
ASTROLAB 33000	29320P-33	ASTROLAB 33000		.238	6.05	.385	9.78	2

Select Part No.:

[Click here](#) to view your cart.

Browse By Category

[Catalog Home](#)

[Microwave Cable Assemblies](#)

[Microwave Cable](#)

[Microwave Connectors](#)

[Contacts](#)

[Adaptors Between Series](#)

[Surge Protection Adaptors](#)

[Phase Shifters](#)

[Other Passive Components](#)

Tel: (732) 560-3800

Fax: (732) 560-9570

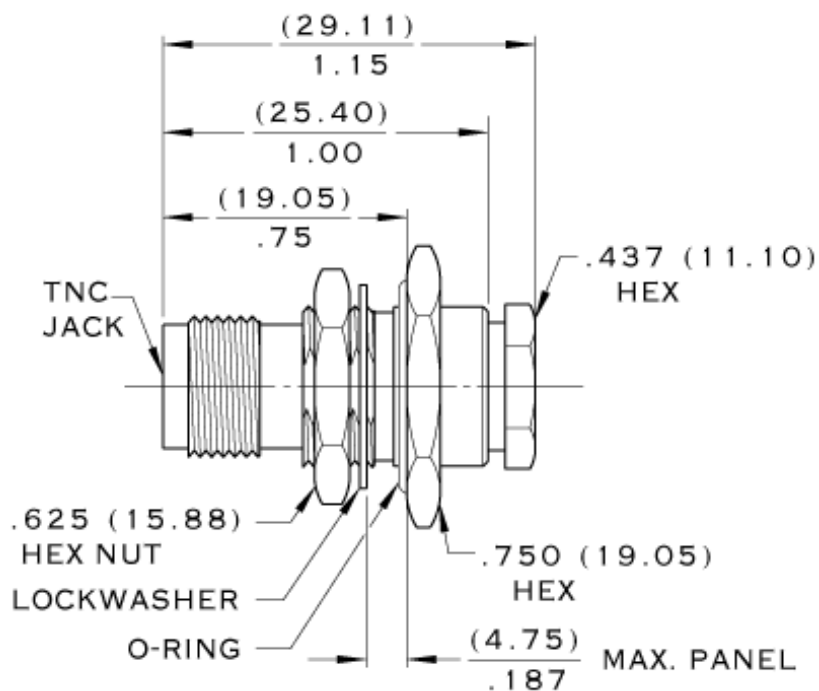
support@astrolab.com

Search:

in


TNC jack, bulkhead - 29320-5

[Catalog Home](#) -> [Microwave Connectors](#) -> [TNC Interface](#) -> [Semi-Rigid Cable Connectors](#) -> TNC jack, bulkhead - 29320-5

**TNC jack, bulkhead
29320-5**


- frequency 14 GHz max.
(Max. frequency can be limited by cable.)
- figure [PC5 panel cut out](#)

CABLE STYLE	PART NO.	CABLE DIA. IN. MM		TYPE
		IN.	MM	
SPLINE	29320-5S	.250	6.35	spline
CORRUGATED	29320-5C	.250	6.35	corrugated
FOAMFLEX	29320-5F	.250	6.35	foamflex

Select Part No.:

[Click here](#) to view your cart.

Browse By Category

[Catalog Home](#)
[Microwave Cable Assemblies](#)
[Microwave Cable](#)
[Microwave Connectors](#)
[Contacts](#)

[Adaptors Between Series](#)
[Surge Protection Adaptors](#)
[Phase Shifters](#)
[Other Passive Components](#)

Tel: (732) 560-3800

Fax: (732) 560-9570

support@astrolab.com

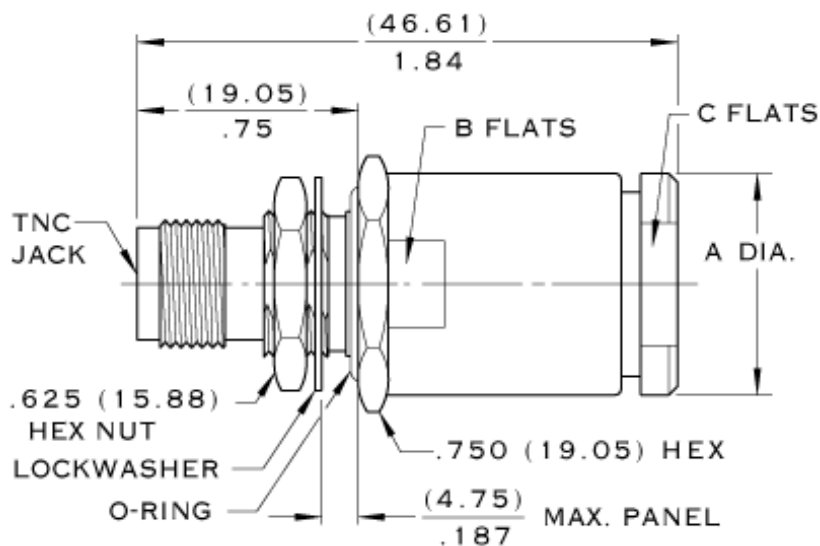
Search: in



TNC jack, bulkhead - 29320

[Catalog Home](#) -> [Microwave Connectors](#) -> [TNC Interface](#) -> [Semi-Rigid Cable Connectors](#) -> TNC jack, bulkhead - 29320

TNC jack, bulkhead 29320



- frequency 10 GHz max.
(Max. frequency can be limited by cable.)
- figure [PC5 panel cut out](#)
- clamp

CABLE	PART NO.	A DIA.		B FLATS		C FLATS	
		IN.	MM	IN.	MM	IN.	MM
ASTROLAB 34000	29320-34	.750	19.05	.690	17.53	.625	15.88
ASTROLAB 37000	29320-37	.875	22.23	.750	19.05	.750	19.05

Select Part No.:

[Click here](#) to view your cart.

Browse By Category

[Catalog Home](#)
[Microwave Cable Assemblies](#)
[Microwave Cable](#)
[Microwave Connectors](#)
[Contacts](#)

[Adaptors Between Series](#)
[Surge Protection Adaptors](#)
[Phase Shifters](#)
[Other Passive Components](#)

Tel: (732) 560-3800

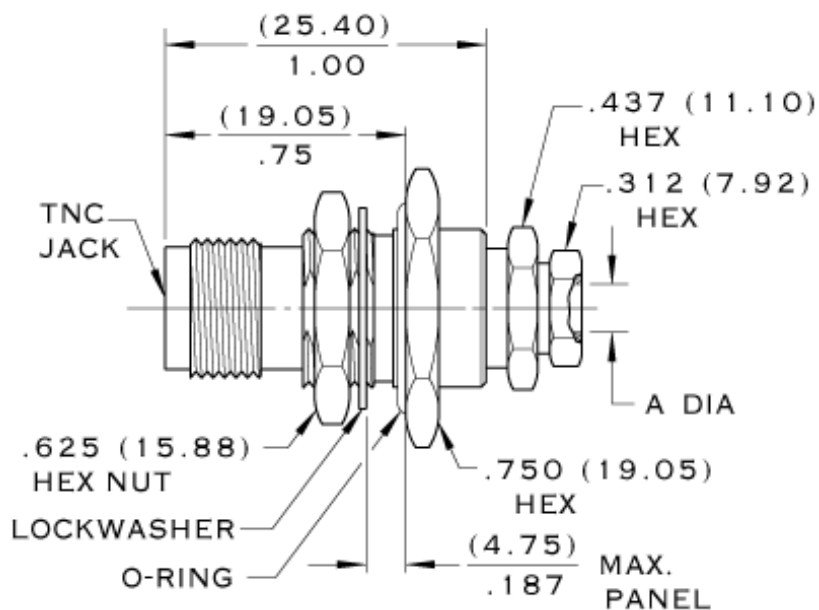
Fax: (732) 560-9570

support@astrolab.com

Search: in


hermetic TNC jack, bulkhead - 29320G

[Catalog Home](#) -> [Microwave Connectors](#) -> [TNC Interface](#) -> [Semi-Rigid Cable Connectors](#) -> hermetic TNC jack, bulkhead - 29320G

**hermetic TNC jack, bulkhead
29320G**


- frequency 12 GHz max.
(Max. frequency can be limited by cable.)
- figure [PC5 panel cut out](#)

CABLE	PART NO.	CABLE DIA.		A DIA.	
		IN.	MM	IN.	MM
ASTROLAB 31000, RG-402	29320G-1	.141	3.58	.144	3.66
ASTROLAB 31086, RG-405	29320G-2	.086	2.18	.089	2.26
	29320G-3	.215	5.46	.220	5.59
RG-401	29320G-4	.250	6.35	.255	6.48

Select Part No.:

[Click here](#) to view your cart.

Browse By Category

[Catalog Home](#)
[Microwave Cable Assemblies](#)
[Microwave Cable](#)
[Microwave Connectors](#)
[Contacts](#)

[Adaptors Between Series](#)
[Surge Protection Adaptors](#)
[Phase Shifters](#)
[Other Passive Components](#)

Tel: (732) 560-3800

Fax: (732) 560-9570

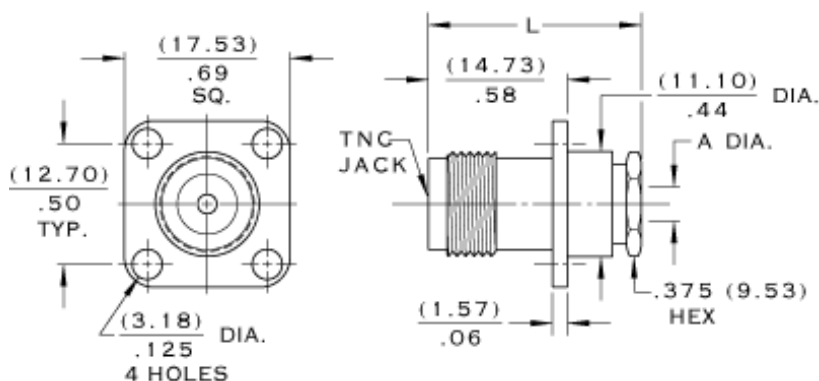
support@astrolab.com

Search:

in


precision TNC jack, flanged - 29715F

[Catalog Home](#) -> [Microwave Connectors](#) -> [TNC Interface](#) -> [Semi-Rigid Cable Connectors](#) -> precision TNC jack, flanged - 29715F

**precision TNC jack, flanged
29715F**


- frequency 18 GHz max.
(Max. frequency can be limited by cable.)
- figure [T1 flange](#) detail

CABLE	PART NO.	CABLE DIA. IN. MM		A DIA. IN. MM		L IN. MM	
ASTROLAB 31000, RG-402	29715F-1	.141	3.58	.144	3.66	.89	22.61
ASTROLAB 31086, RG-405	29715F-2	.086	2.18	.089	2.26	.86	21.84

Select Part No.:

[Click here](#) to view your cart.

Browse By Category

[Catalog Home](#)
[Microwave Cable Assemblies](#)
[Microwave Cable](#)
[Microwave Connectors](#)
[Contacts](#)

[Adaptors Between Series](#)
[Surge Protection Adaptors](#)
[Phase Shifters](#)
[Other Passive Components](#)

Tel: (732) 560-3800

Fax: (732) 560-9570

support@astrolab.com

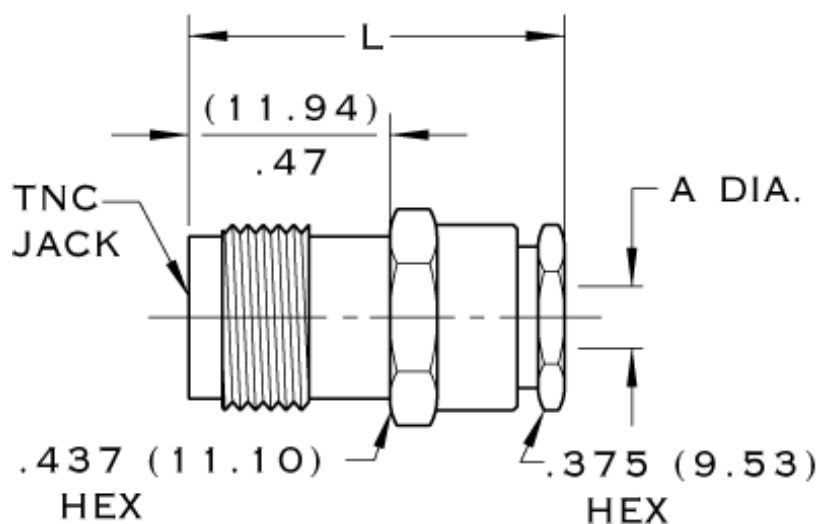
Search: in



precision TNC jack - 29715

[Catalog Home](#) -> [Microwave Connectors](#) -> [TNC Interface](#) -> [Semi-Rigid Cable Connectors](#) -> precision TNC jack - 29715

precision TNC jack 29715



- frequency 18 GHz max.
(Max. frequency can be limited by cable.)

CABLE	PART NO.	CABLE DIA.		A DIA.		L	
		IN.	MM	IN.	MM	IN.	MM
ASTROLAB 31000; RG-402	29715-1	.141	3.58	.144	3.66	.88	22.35
ASTROLAB 31086; RG-405	29715-2	.086	2.18	.089	2.26	.86	21.84
ASTROLAB 33000	29715-33	ASTROLAB 33000		.238	6.05	.86	21.84

Select Part No.:

[Click here](#) to view your cart.

Browse By Category

[Catalog Home](#)

[Microwave Cable Assemblies](#)

[Microwave Cable](#)

[Microwave Connectors](#)

[Contacts](#)

[Adaptors Between Series](#)

[Surge Protection Adaptors](#)

[Phase Shifters](#)

[Other Passive Components](#)

Tel: (732) 560-3800

Fax: (732) 560-9570

support@astrolab.com

Search:

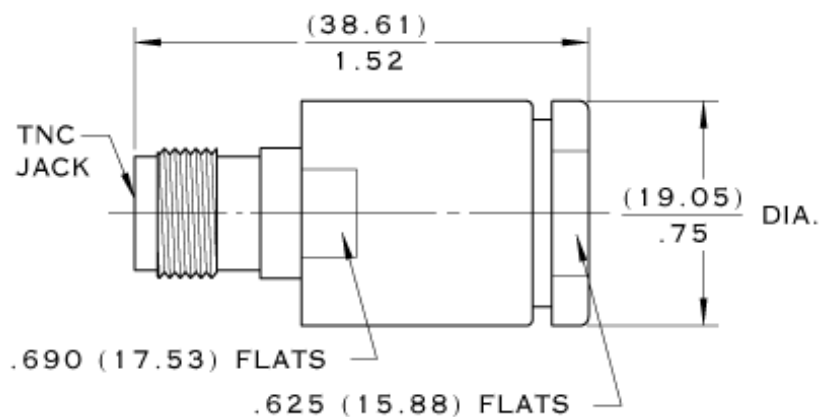
in



TNC jack - 29615-34

[Catalog Home](#) -> [Microwave Connectors](#) -> [TNC Interface](#) -> [Semi-Rigid Cable Connectors](#) -> TNC jack - 29615-34

TNC jack 29615-34



- frequency 10 GHz max.
(Max. frequency can be limited by cable.)
- uses astrolab 34000 cable
- clamp

Select Part No.:

[Click here](#) to view your cart.

Browse By Category

[Catalog Home](#)

[Microwave Cable Assemblies](#)

[Microwave Cable](#)

[Microwave Connectors](#)

[Contacts](#)

[Adaptors Between Series](#)

[Surge Protection Adaptors](#)

[Phase Shifters](#)

[Other Passive Components](#)

Tel: (732) 560-3800

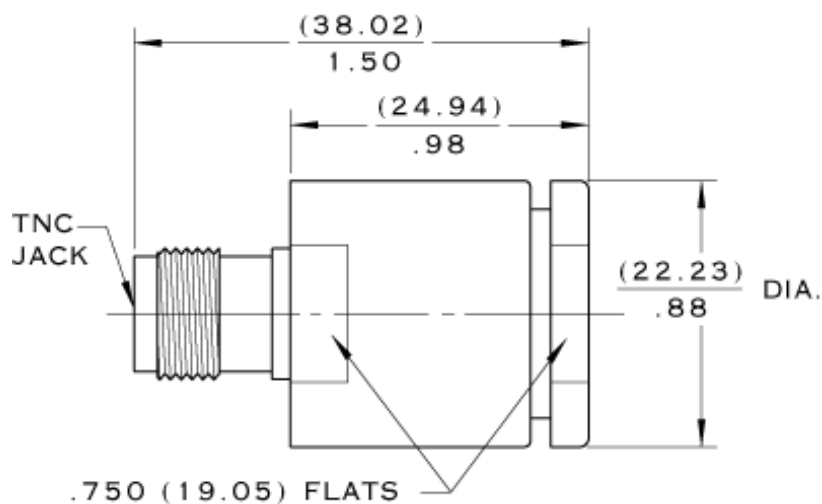
Fax: (732) 560-9570

support@astrolab.com

Search: in


TNC jack - 29617-37

[Catalog Home](#) -> [Microwave Connectors](#) -> [TNC Interface](#) -> [Semi-Rigid Cable Connectors](#) -> TNC jack - 29617-37

**TNC jack
29617-37**


- frequency 10 GHz max.
(Max. frequency can be limited by cable.)
- uses astrolab 37000 cable
- clamp

Select Part No.:

[Click here](#) to view your cart.

Browse By Category

[Catalog Home](#)
[Microwave Cable Assemblies](#)
[Microwave Cable](#)
[Microwave Connectors](#)
[Contacts](#)

[Adaptors Between Series](#)
[Surge Protection Adaptors](#)
[Phase Shifters](#)
[Other Passive Components](#)

Tel: (732) 560-3800

Fax: (732) 560-9570

support@astrolab.com

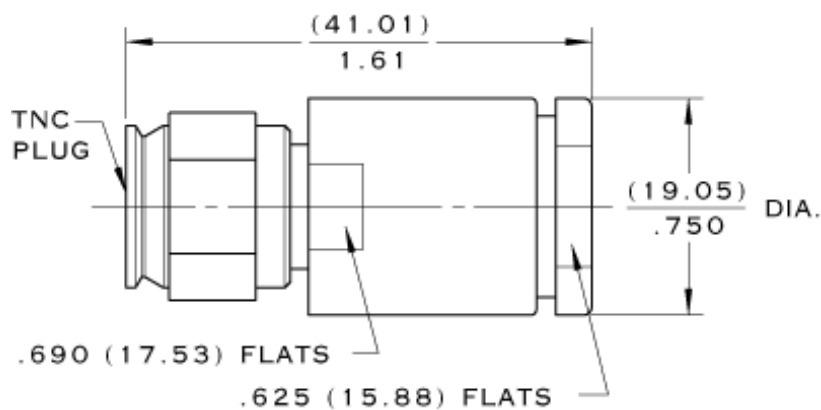
Search: in



TNC plug - 29614-34

[Catalog Home](#) -> [Microwave Connectors](#) -> [TNC Interface](#) -> [Semi-Rigid Cable Connectors](#) -> TNC plug - 29614-34

TNC plug 29614-34



- frequency 10 GHz max.
(Max. frequency can be limited by cable.)
- uses astrolab 34000 cable
- clamp

Select Part No.:

[Click here](#) to view your cart.

Browse By Category

[Catalog Home](#)

[Microwave Cable Assemblies](#)

[Microwave Cable](#)

[Microwave Connectors](#)

[Contacts](#)

[Adaptors Between Series](#)

[Surge Protection Adaptors](#)

[Phase Shifters](#)

[Other Passive Components](#)

Tel: (732) 560-3800

Fax: (732) 560-9570

support@astrolab.com

Search:

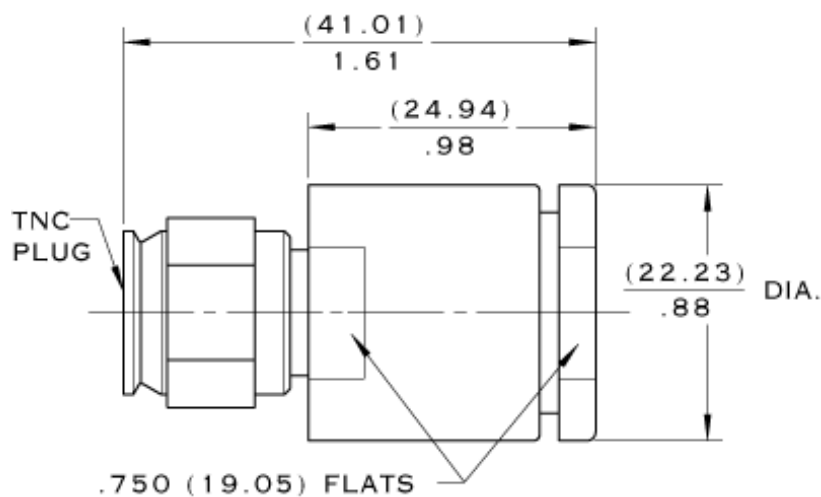
in



TNC plug - 29616-37

[Catalog Home](#) -> [Microwave Connectors](#) -> [TNC Interface](#) -> [Semi-Rigid Cable Connectors](#) -> TNC plug - 29616-37

TNC plug 29616-37



- frequency 10 GHz max.
(Max. frequency can be limited by cable.)
- uses astrolab 37000 cable
- clamp

Select Part No.:

[Click here](#) to view your cart.

Browse By Category

[Catalog Home](#)

[Microwave Cable Assemblies](#)

[Microwave Cable](#)

[Microwave Connectors](#)

[Contacts](#)

[Adaptors Between Series](#)

[Surge Protection Adaptors](#)

[Phase Shifters](#)

[Other Passive Components](#)

Tel: (732) 560-3800

Fax: (732) 560-9570

support@astrolab.com

Search:

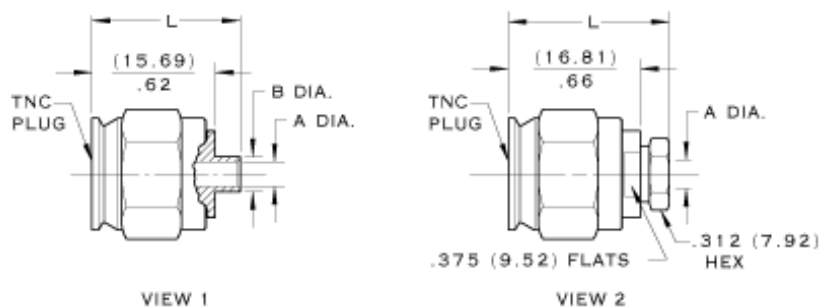
in



TNC plug - 29714

[Catalog Home](#) -> [Microwave Connectors](#) -> [TNC Interface](#) -> [Semi-Rigid Cable Connectors](#) -> TNC plug - 29714

TNC plug 29714



- frequency 18 GHz max.
(Max. frequency can be limited by cable.)
- high power options are available

CABLE	PART NO.	CABLE DIA.		A DIA.		B DIA.		L		VIEW
		IN.	MM	IN.	MM	IN.	MM	IN.	MM	
ASTROLAB 31000; RG-402	29714-1	.141	3.58	.144	3.66	.175	4.45	.74	18.87	1
ASTROLAB 31086; RG-405	29714-2	.086	2.18	.089	2.26	-	-	.79	20.07	2
RG-401	29714-4	.250	6.35	.255	6.48	-	-	.79	20.07	2
ASTROLAB 33000	29714-33	ASTROLAB 33000		.238	6.05	-	-	.81	20.57	2

Select Part No.:

[Click here](#) to view your cart.

Browse By Category

[Catalog Home](#)
[Microwave Cable Assemblies](#)
[Microwave Cable](#)
[Microwave Connectors](#)
[Contacts](#)

[Adaptors Between Series](#)
[Surge Protection Adaptors](#)
[Phase Shifters](#)
[Other Passive Components](#)

Tel: (732) 560-3800

Fax: (732) 560-9570

support@astrolab.com

Search:

in