



[ABOUT US](#)

[PRODUCTS](#)

[MINIBEND](#)

[SUPPORT](#)



Semi-Rigid Cable Connectors

[Catalog Home](#) -> [Microwave Connectors](#) -> [3.5mm Interface](#) -> Semi-Rigid Cable Connectors

Please continue your selection below:

- [90° sweep 3.5mm jack - 29844](#)
- [90° sweep 3.5mm plug - 29845](#)
- [3.5mm jack, bulkhead - 29804](#)
- [3.5mm jack, bulkhead - 29830](#)
- [3.5mm jack - 29803](#)
- [3.5mm jack, flanged - 29803F](#)
- [3.5mm plug - 29802](#)
- [3.5mm plug, flanged - 29802F](#)

Browse By Category

[Catalog Home](#)

[Microwave Cable Assemblies](#)

[Microwave Cable](#)

[Microwave Connectors](#)

[Contacts](#)

[Adaptors Between Series](#)

[Surge Protection Adaptors](#)

[Phase Shifters](#)

[Other Passive Components](#)

Tel: (732) 560-3800

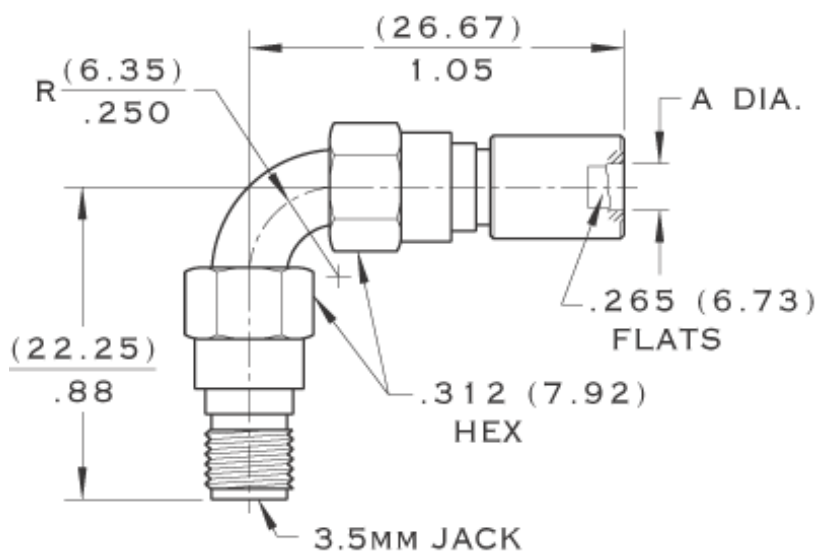
Fax: (732) 560-9570

support@astrolab.com

Search: _____ in _____


90° sweep 3.5mm jack - 29844

[Catalog Home](#) -> [Microwave Connectors](#) -> [3.5mm Interface](#) -> [Semi-Rigid Cable Connectors](#) -> 90° sweep 3.5mm jack - 29844

**90° sweep 3.5mm jack
29844**


- frequency 32 GHz max.
(Max. frequency can be limited by cable.)

CABLE	PART NO.	CABLE DIA.		A DIA.	
		IN.	MM	IN.	MM
ASTROLAB 31000, RG-402	29844-1	.141	3.58	.144	3.66
ASTROLAB 31086, RG-405	29844-2	.086	2.18	.089	2.26

Select Part No.:

[Click here](#) to view your cart.

Browse By Category

[Catalog Home](#)
[Microwave Cable Assemblies](#)
[Microwave Cable](#)
[Microwave Connectors](#)
[Contacts](#)

[Adaptors Between Series](#)
[Surge Protection Adaptors](#)
[Phase Shifters](#)
[Other Passive Components](#)

Tel: (732) 560-3800

Fax: (732) 560-9570

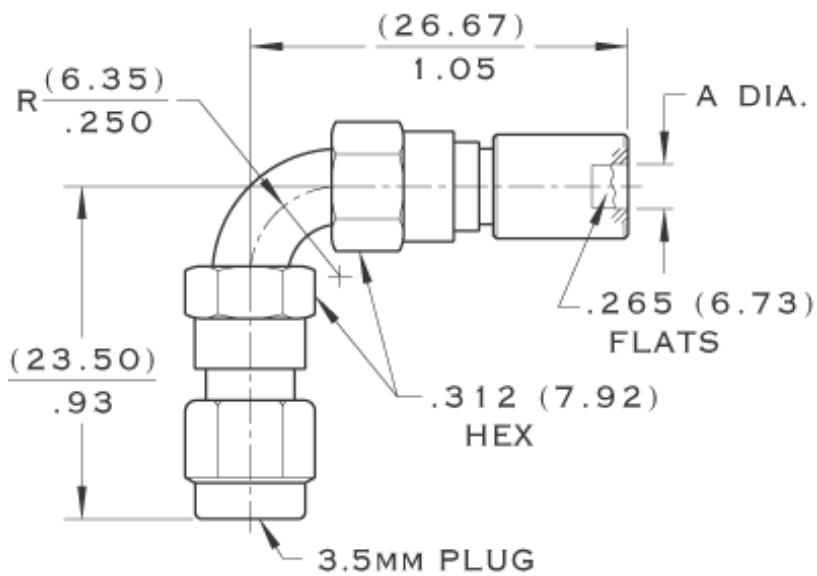
support@astrolab.com

Search: in

90° sweep 3.5mm plug - 29845

[Catalog Home](#) -> [Microwave Connectors](#) -> [3.5mm Interface](#) -> [Semi-Rigid Cable Connectors](#) -> 90° sweep 3.5mm plug - 29845

**90° sweep 3.5mm plug
29845**



- frequency 32 GHz max.
(Max. frequency can be limited by cable.)

CABLE	PART NO.	CABLE DIA.		A DIA.	
		IN.	MM	IN.	MM
ASTROLAB 31000, RG-402	29845-1	.141	3.58	.144	3.66
ASTROLAB 31086, RG-405	29845-2	.086	2.18	.089	2.26

Select Part No.:

[Click here](#) to view your cart.

Browse By Category

[Catalog Home](#)
[Microwave Cable Assemblies](#)
[Microwave Cable](#)
[Microwave Connectors](#)
[Contacts](#)

[Adaptors Between Series](#)
[Surge Protection Adaptors](#)
[Phase Shifters](#)
[Other Passive Components](#)

Tel: (732) 560-3800

Fax: (732) 560-9570

support@astrolab.com

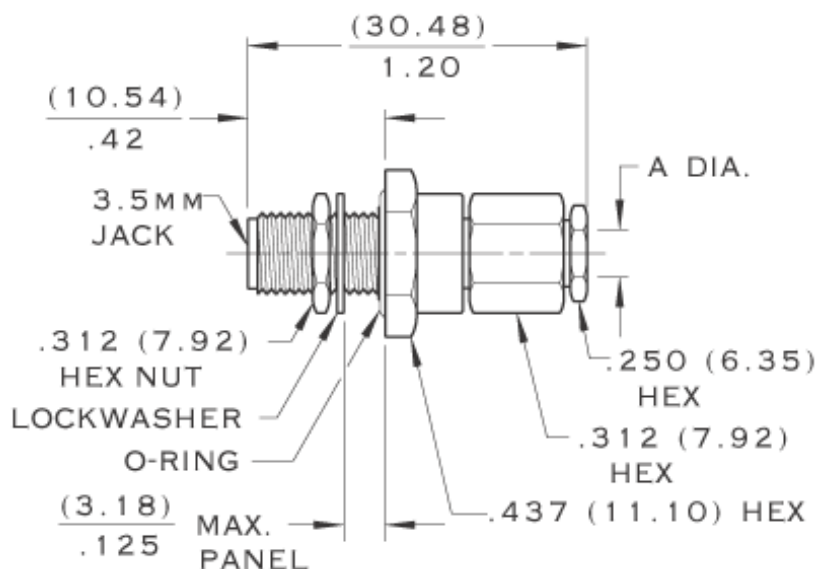
Search: in



3.5mm jack, bulkhead - 29804

[Catalog Home](#) -> [Microwave Connectors](#) -> [3.5mm Interface](#) -> [Semi-Rigid Cable Connectors](#) -> 3.5mm jack, bulkhead - 29804

3.5mm jack, bulkhead 29804



- frequency 36 GHz max.
(Max. frequency can be limited by cable.)
- figure [PC3 panel cut out](#)

CABLE	PART NO.	CABLE DIA.		A DIA.	
		IN.	MM	IN.	MM
ASTROLAB 31000, RG-402	29804-1	.141	3.58	.144	3.66
ASTROLAB 31086, RG-405	29804-2	.086	2.18	.089	2.26

Select Part No.:

[Click here](#) to view your cart.

Browse By Category

[Catalog Home](#)
[Microwave Cable Assemblies](#)
[Microwave Cable](#)
[Microwave Connectors](#)
[Contacts](#)

[Adaptors Between Series](#)
[Surge Protection Adaptors](#)
[Phase Shifters](#)
[Other Passive Components](#)

Tel: (732) 560-3800

Fax: (732) 560-9570

support@astrolab.com

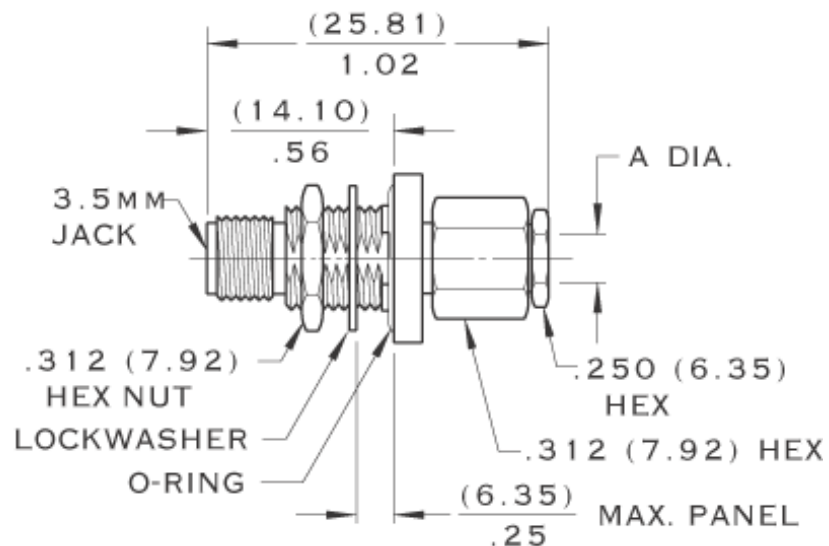
Search: in



3.5mm jack, bulkhead - 29830

[Catalog Home](#) -> [Microwave Connectors](#) -> [3.5mm Interface](#) -> [Semi-Rigid Cable Connectors](#) -> 3.5mm jack, bulkhead - 29830

3.5mm jack, bulkhead 29830



- frequency 36 GHz max.
(Max. frequency can be limited by cable.)
- figure [PC4 panel cut out](#)

CABLE	PART NO.	CABLE DIA.		A DIA.	
		IN.	MM	IN.	MM
ASTROLAB 31000, RG-402	29830-1	.141	3.58	.144	3.66
ASTROLAB 31086, RG-405	29830-2	.086	2.18	.089	2.26

Select Part No.:

[Click here](#) to view your cart.

Browse By Category

[Catalog Home](#)
[Microwave Cable Assemblies](#)
[Microwave Cable](#)
[Microwave Connectors](#)
[Contacts](#)

[Adaptors Between Series](#)
[Surge Protection Adaptors](#)
[Phase Shifters](#)
[Other Passive Components](#)

Tel: (732) 560-3800

Fax: (732) 560-9570

support@astrolab.com

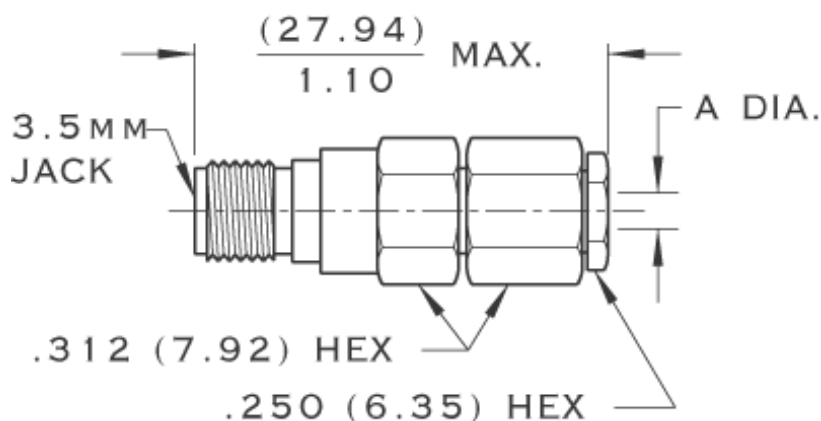
Search: in



3.5mm jack - 29803

[Catalog Home](#) -> [Microwave Connectors](#) -> [3.5mm Interface](#) -> [Semi-Rigid Cable Connectors](#) -> 3.5mm jack - 29803

3.5mm jack 29803



- frequency 36 GHz max.
(Max. frequency can be limited by cable.)

CABLE	PART NO.	CABLE DIA.		A DIA.	
		IN.	MM	IN.	MM
ASTROLAB 31000, RG-402	29803-1	.141	3.58	.144	3.66
ASTROLAB 31086, RG-405	29803-2	.086	2.18	.089	2.26

Select Part No.:

[Click here](#) to view your cart.

Browse By Category

[Catalog Home](#)

[Microwave Cable Assemblies](#)

[Microwave Cable](#)

[Microwave Connectors](#)

[Contacts](#)

[Adaptors Between Series](#)

[Surge Protection Adaptors](#)

[Phase Shifters](#)

[Other Passive Components](#)

Tel: (732) 560-3800

Fax: (732) 560-9570

support@astrolab.com

Search:

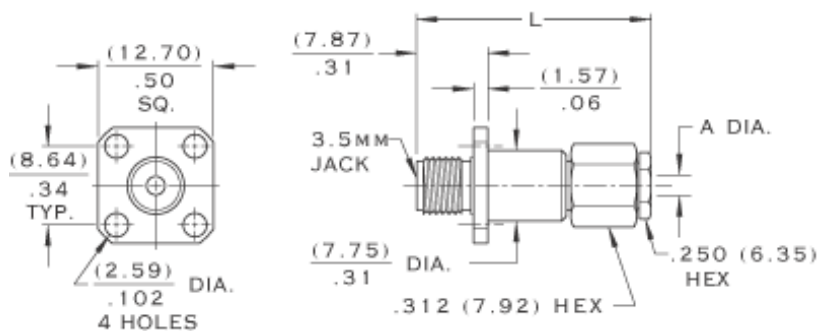
in



3.5mm jack, flanged - 29803F

[Catalog Home](#) -> [Microwave Connectors](#) -> [3.5mm Interface](#) -> [Semi-Rigid Cable Connectors](#) -> 3.5mm jack, flanged - 29803F

3.5mm jack, flanged 29803F



- frequency 36 GHz max.
(Max. frequency can be limited by cable.)
- figure [S3 flange](#) detail

CABLE	PART NO.	CABLE DIA.		A DIA.		L	
		IN.	MM	IN.	MM	IN.	MM
ASTROLAB 31000, RG-402	29803F-1	.141	3.58	.144	3.66	1.03	26.16
ASTROLAB 31086, RG-405	29803F-2	.086	2.18	.089	2.26	1.02	25.91

Select Part No.:

[Click here](#) to view your cart.

Browse By Category

[Catalog Home](#)
[Microwave Cable Assemblies](#)
[Microwave Cable](#)
[Microwave Connectors](#)
[Contacts](#)

[Adaptors Between Series](#)
[Surge Protection Adaptors](#)
[Phase Shifters](#)
[Other Passive Components](#)

Tel: (732) 560-3800

Fax: (732) 560-9570

support@astrolab.com

Search:

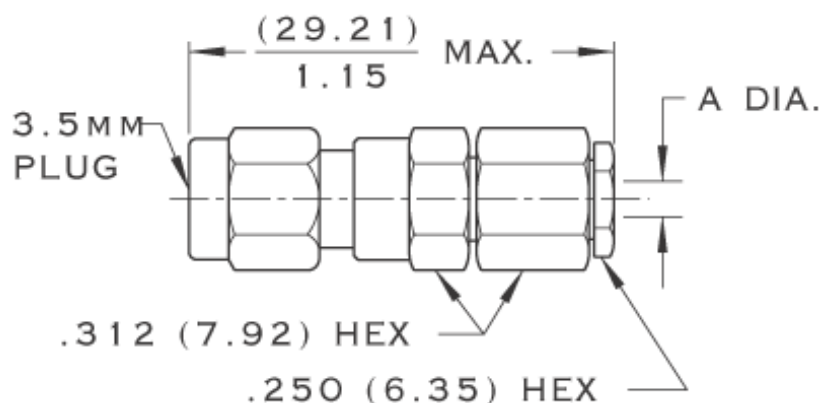
in



3.5mm plug - 29802

[Catalog Home](#) -> [Microwave Connectors](#) -> [3.5mm Interface](#) -> [Semi-Rigid Cable Connectors](#) -> 3.5mm plug - 29802

3.5mm plug 29802



- frequency 36 GHz max.
(Max. frequency can be limited by cable.)

CABLE	PART NO.	CABLE DIA.		A DIA.	
		IN.	MM	IN.	MM
ASTROLAB 31000, RG-402	29802-1	.141	3.58	.144	3.66
ASTROLAB 31086, RG-405	29802-2	.086	2.18	.089	2.26

Select Part No.:

[Click here](#) to view your cart.

Browse By Category

[Catalog Home](#)

[Microwave Cable Assemblies](#)

[Microwave Cable](#)

[Microwave Connectors](#)

[Contacts](#)

[Adaptors Between Series](#)

[Surge Protection Adaptors](#)

[Phase Shifters](#)

[Other Passive Components](#)

Tel: (732) 560-3800

Fax: (732) 560-9570

support@astrolab.com

Search:

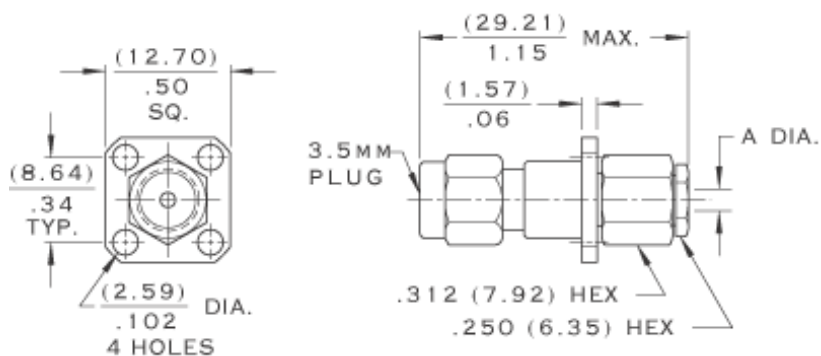
in



3.5mm plug, flanged - 29802F

[Catalog Home](#) -> [Microwave Connectors](#) -> [3.5mm Interface](#) -> [Semi-Rigid Cable Connectors](#) -> 3.5mm plug, flanged - 29802F

3.5mm plug, flanged 29802F



- frequency 36 GHz max.
(Max. frequency can be limited by cable.)
- figure [S3 flange](#) detail

CABLE	PART NO.	CABLE DIA.		A DIA.	
		IN.	MM	IN.	MM
ASTROLAB 31000, RG-402	29802F-1	.141	3.58	.144	3.66
ASTROLAB 31086, RG-405	29802F-2	.086	2.18	.089	2.26

Select Part No.:

[Click here](#) to view your cart.

Browse By Category

[Catalog Home](#)

[Microwave Cable Assemblies](#)

[Microwave Cable](#)

[Microwave Connectors](#)

[Contacts](#)

[Adaptors Between Series](#)

[Surge Protection Adaptors](#)

[Phase Shifters](#)

[Other Passive Components](#)

Tel: (732) 560-3800

Fax: (732) 560-9570

support@astrolab.com

Search:

in