


[ABOUT US](#)
[PRODUCTS](#)
[MINIBEND](#)
[SUPPORT](#)


Semi-Rigid Cable Connectors

[Catalog Home](#) -> [Microwave Connectors](#) -> [SMA Interface](#) -> Semi-Rigid Cable Connectors

Please continue your selection below:

- [90° sweep, SMA jack - 29513](#)
- [90° sweep, SMA jack - 29506](#)
- [90° sweep, SMA plug - 29507](#)
- [SMA jack, bulkhead - 29140](#)
- [SMA jack, bulkhead - 29059](#)
- [SMA jack, flanged - 29055](#)
- [SMA jack, flanged - 29056](#)
- [SMA jack - 29045](#)
- [SMA jack - 29010](#)
- [SMA plug - 29001](#)
- [SMA plug, 0.141 semi-rigid - 29043](#)
- [SMA plug, 0.141 semi-rigid - 29043-2](#)
- [SMA plug - 29044](#)
- [right angle SMA jack, bulkhead - 29000-0](#)
- [right angle SMA jack - 29040F](#)
- [right angle SMA jack - 29201](#)
- [right angle SMA plug - 29200](#)

Browse By Category

[Catalog Home](#)
[Microwave Cable Assemblies](#)
[Microwave Cable](#)
[Microwave Connectors](#)
[Contacts](#)
[Adaptors Between Series](#)
[Surge Protection Adaptors](#)
[Phase Shifters](#)
[Other Passive Components](#)

Tel: (732) 560-3800

Fax: (732) 560-9570

support@astrolab.com

Search:

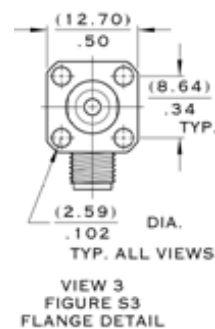
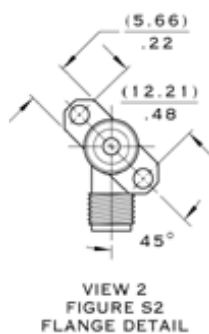
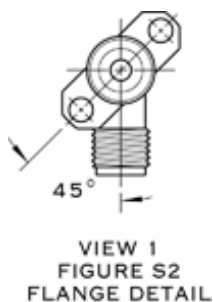
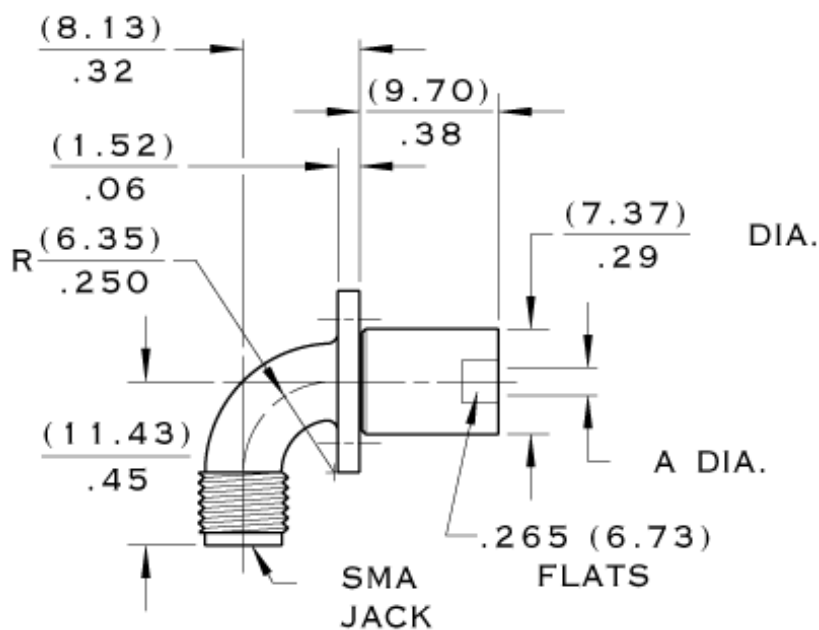
in



90° sweep, SMA jack - 29513

[Catalog Home](#) -> [Microwave Connectors](#) -> [SMA Interface](#) -> [Semi-Rigid Cable Connectors](#) -> 90° sweep, SMA jack - 29513

90° sweep, SMA jack 29513



- frequency 25 GHz max.
(Max. frequency can be limited by cable.)

CABLE	PART NO.	CABLE DIA.		A DIA.		VIEW
		IN.	MM	IN.	MM	
ASTROLAB 31000; RG-402	29513-1	.141	3.58	.144	3.66	3
	29513-2R	.141	3.58	.144	3.66	1
	29513-3L	.141	3.58	.144	3.66	2
ASTROLAB 31086; RG-405	29513-4	.086	2.18	.089	2.26	3
	29513-5R	.086	2.18	.089	2.26	1
	29513-6L	.086	2.18	.089	2.26	2
Mil-C-17/151	29513-7	.047	1.19	.050	1.27	3
	29513-8R	.047	1.19	.050	1.27	1
	29513-9L	.047	1.19	.050	1.27	2

Select Part No.:

[Click here](#) to view your cart.

Browse By Category

[Catalog Home](#)

[Microwave Cable Assemblies](#)

[Microwave Cable](#)

[Microwave Connectors](#)

[Contacts](#)

[Adaptors Between Series](#)

[Surge Protection Adaptors](#)

[Phase Shifters](#)

[Other Passive Components](#)

Tel: (732) 560-3800

Fax: (732) 560-9570

support@astrolab.com

Search:

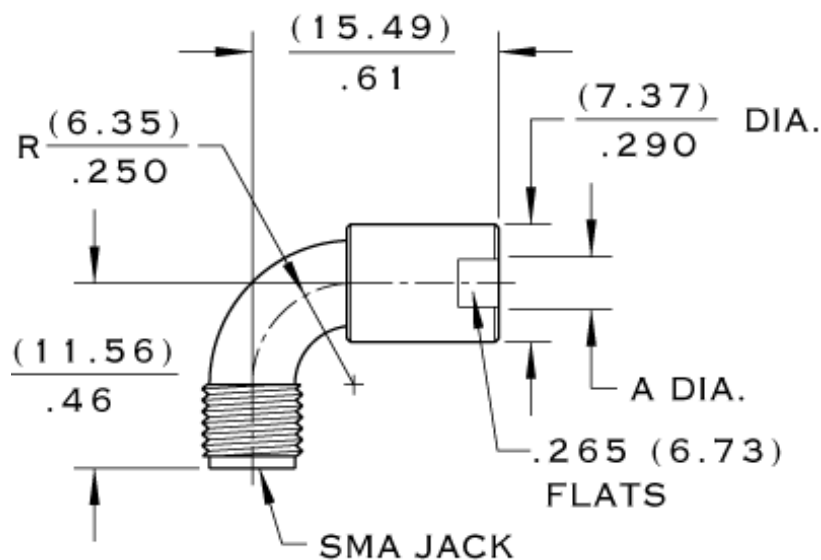
in



90° sweep, SMA jack - 29506

[Catalog Home](#) -> [Microwave Connectors](#) -> [SMA Interface](#) -> [Semi-Rigid Cable Connectors](#) -> 90° sweep, SMA jack - 29506

90° sweep, SMA jack 29506



- frequency 25 GHz max.
(Max. frequency can be limited by cable.)

CABLE	PART NO.	CABLE DIA.		A DIA.	
		IN.	MM	IN.	MM
ASTROLAB 31000; RG-402	29506-1	.141	3.58	.144	3.66
ASTROLAB 31086; RG-405	29506-2	.086	2.18	.089	2.26

Select Part No.:

[Click here](#) to view your cart.

Browse By Category

[Catalog Home](#)

[Microwave Cable Assemblies](#)

[Microwave Cable](#)

[Microwave Connectors](#)

[Contacts](#)

[Adaptors Between Series](#)

[Surge Protection Adaptors](#)

[Phase Shifters](#)

[Other Passive Components](#)

Tel: (732) 560-3800

Fax: (732) 560-9570

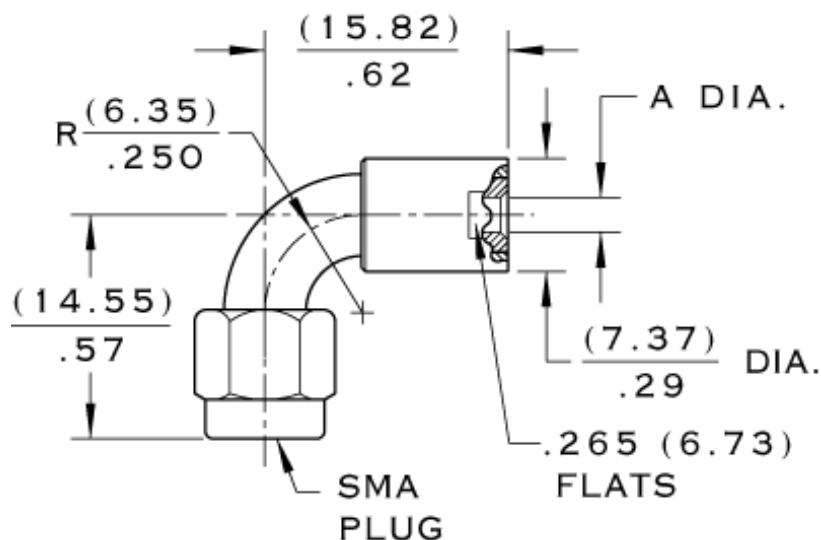
support@astrolab.com

Search:

in


90° sweep, SMA plug - 29507

[Catalog Home](#) -> [Microwave Connectors](#) -> [SMA Interface](#) -> [Semi-Rigid Cable Connectors](#) -> 90° sweep, SMA plug - 29507

**90° sweep, SMA plug
29507**


- frequency 25 GHz max.
(Max. frequency can be limited by cable.)

CABLE	PART NO.	CABLE DIA.		A DIA.	
		IN.	MM	IN.	MM
ASTROLAB 31000; RG-402	29507-1	.141	3.58	.144	3.66
ASTROLAB 31086; RG-405	29507-2	.086	2.18	.089	2.26

Select Part No.:

[Click here](#) to view your cart.

Browse By Category

[Catalog Home](#)
[Microwave Cable Assemblies](#)
[Microwave Cable](#)
[Microwave Connectors](#)
[Contacts](#)

[Adaptors Between Series](#)
[Surge Protection Adaptors](#)
[Phase Shifters](#)
[Other Passive Components](#)

Tel: (732) 560-3800

Fax: (732) 560-9570

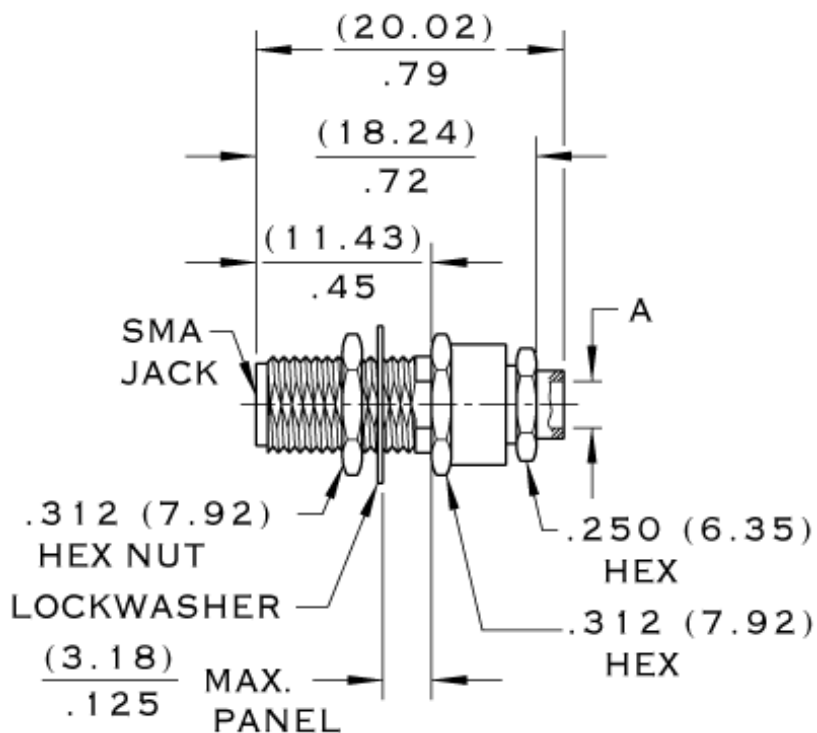
support@astrolab.com

Search:

in


SMA jack, bulkhead - 29140

[Catalog Home](#) -> [Microwave Connectors](#) -> [SMA Interface](#) -> [Semi-Rigid Cable Connectors](#) -> SMA jack, bulkhead - 29140

**SMA jack, bulkhead
29140**


- frequency 25 GHz max.
(Max. frequency can be limited by cable.)
- figure [PC2 panel cut out](#)

CABLE	PART NO.	CABLE DIA.		A DIA.	
		IN.	MM	IN.	MM
ASTROLAB 31000; RG-402	29140-1	.141	3.58	.144	3.66
ASTROLAB 31086; RG-405	29140-2	.086	2.18	.089	2.26

Select Part No.:

[Click here](#) to view your cart.

Browse By Category

[Catalog Home](#)
[Microwave Cable Assemblies](#)
[Microwave Cable](#)
[Microwave Connectors](#)
[Contacts](#)

[Adaptors Between Series](#)
[Surge Protection Adaptors](#)
[Phase Shifters](#)
[Other Passive Components](#)

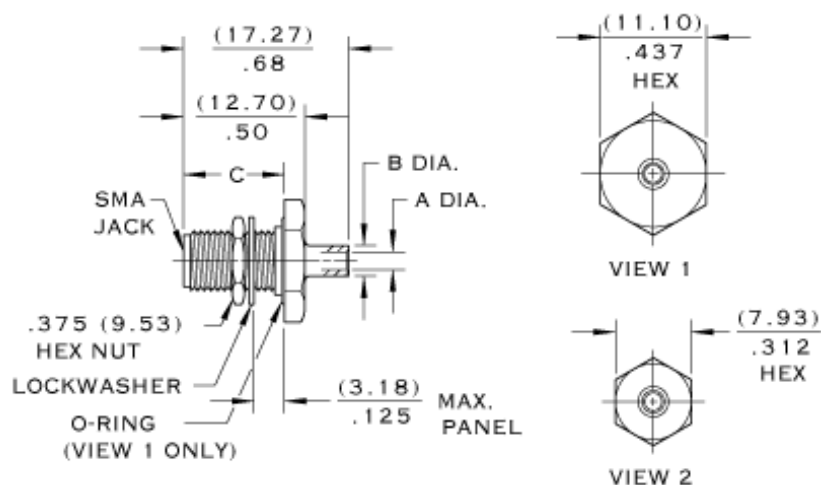
Search: **in**



SMA jack, bulkhead - 29059

[Catalog Home](#) -> [Microwave Connectors](#) -> [SMA Interface](#) -> [Semi-Rigid Cable Connectors](#) -> SMA jack, bulkhead - 29059

SMA jack, bulkhead 29059



- frequency 25 GHz max.
(Max. frequency can be limited by cable.)
- figure [PC3 panel cut out](#) for 1 & 2
- figure [PC2 panel cut out](#) for 4 & 5

CABLE	PART NO.	CABLE DIA.		A DIA.		B DIA.		C		VIEW
		IN.	MM	IN.	MM	IN.	MM	IN.	MM	
ASTROLAB 31000; RG-402	29059-1	.141	3.58	.144	3.66	.175	4.45	.415	10.54	1
	29059-4	.141	3.58	.144	3.66	.125	3.18	.450	11.43	2
ASTROLAB 31086; RG-405	29059-2	.086	2.18	.089	2.26	.125	3.18	.415	10.54	1
	29059-5	.086	2.18	.089	2.26	.081	2.06	.450	11.43	2

Select Part No.:

[Click here](#) to view your cart.

Browse By Category

[Catalog Home](#)

[Microwave Cable Assemblies](#)

[Microwave Cable](#)

[Microwave Connectors](#)

[Contacts](#)

[Adaptors Between Series](#)

[Surge Protection Adaptors](#)

[Phase Shifters](#)

[Other Passive Components](#)

Tel: (732) 560-3800

Fax: (732) 560-9570

support@astrolab.com

Search:

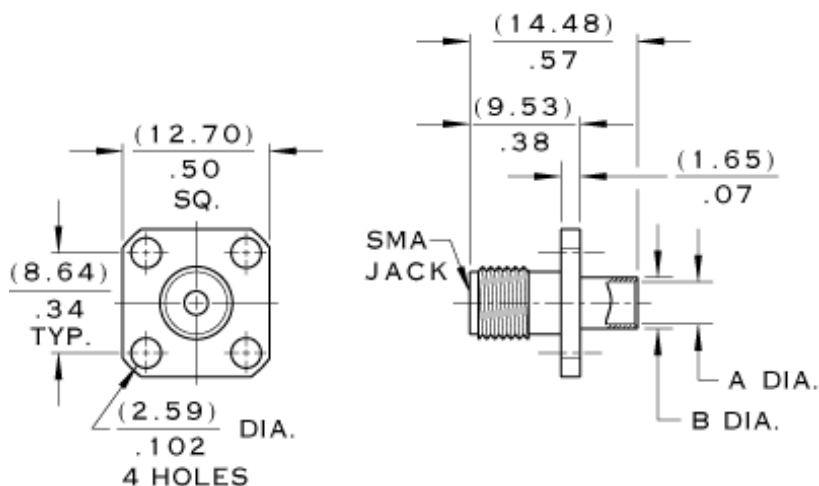
in



SMA jack, flanged - 29055

[Catalog Home](#) -> [Microwave Connectors](#) -> [SMA Interface](#) -> [Semi-Rigid Cable Connectors](#) -> SMA jack, flanged - 29055

SMA jack, flanged 29055



- frequency 25 GHz max.
(Max. frequency can be limited by cable.)
- figure [S3 flange](#) detail

CABLE	PART NO.	CABLE DIA.		A DIA.		B DIA.	
		IN.	MM	IN.	MM	IN.	MM
ASTROLAB 31000; RG-402	29055-1	.141	3.58	.144	3.66	.175	4.45
ASTROLAB 31086; RG-405	29055-2	.086	2.18	.089	2.26	.125	3.18

Select Part No.:

[Click here](#) to view your cart.

Browse By Category

[Catalog Home](#)

[Microwave Cable Assemblies](#)

[Microwave Cable](#)

[Microwave Connectors](#)

[Contacts](#)

[Adaptors Between Series](#)

[Surge Protection Adaptors](#)

[Phase Shifters](#)

[Other Passive Components](#)

Tel: (732) 560-3800

Fax: (732) 560-9570

support@astrolab.com

Search:

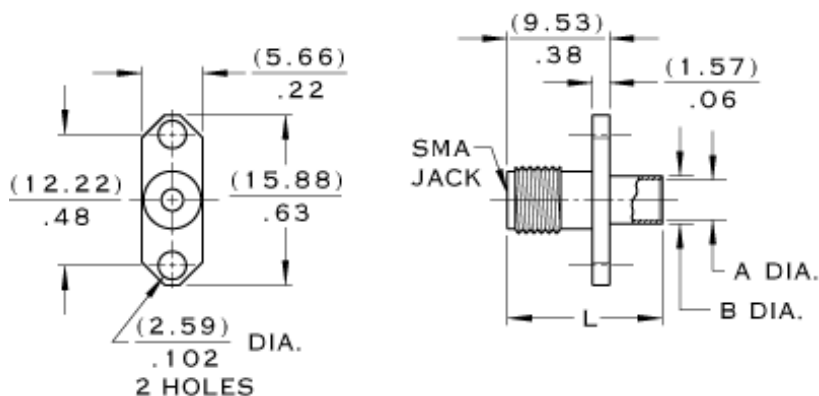
in



SMA jack, flanged - 29056

[Catalog Home](#) -> [Microwave Connectors](#) -> [SMA Interface](#) -> [Semi-Rigid Cable Connectors](#) -> SMA jack, flanged - 29056

SMA jack, flanged 29056



- frequency 25 GHz max.
(Max. frequency can be limited by cable.)
- figure [S2 flange](#) detail

CABLE	PART NO.	CABLE DIA.		A DIA.		B DIA.		L	
		IN.	MM	IN.	MM	IN.	MM	IN.	MM
ASTROLAB 31000; RG-402	29056-1	.141	3.58	.144	3.66	.175	4.45	.57	14.48
ASTROLAB 31086; RG-405	29056-2	.086	2.18	.089	2.26	.125	3.18	.57	14.48
	29056-3	.070	1.78	.073	1.85	.125	3.18	.57	14.48
Mil-C-17/151	29056-4	.047	1.19	.050	1.27	.081	2.06	.47	11.94

Select Part No.:

[Click here](#) to view your cart.

Browse By Category

[Catalog Home](#)
[Microwave Cable Assemblies](#)
[Microwave Cable](#)
[Microwave Connectors](#)
[Contacts](#)

[Adaptors Between Series](#)
[Surge Protection Adaptors](#)
[Phase Shifters](#)
[Other Passive Components](#)

Tel: (732) 560-3800

Fax: (732) 560-9570

support@astrolab.com

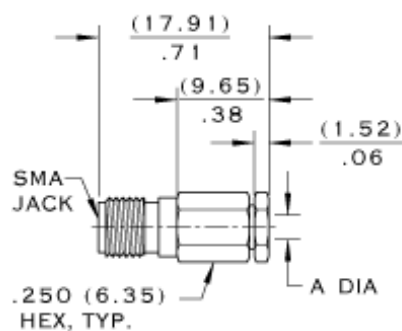
Search: in



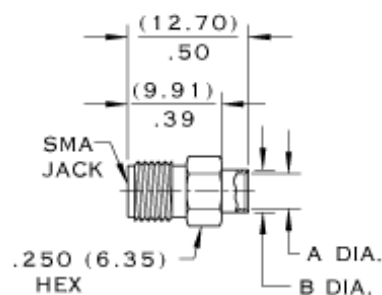
SMA jack - 29045

[Catalog Home](#) -> [Microwave Connectors](#) -> [SMA Interface](#) -> [Semi-Rigid Cable Connectors](#) -> SMA jack - 29045

SMA jack 29045



VIEW 1



VIEW 2

- frequency 25 GHz max.
(Max. frequency can be limited by cable.)

CABLE	PART NO.	CABLE DIA.		A DIA.		B DIA.		VIEW
		IN.	MM	IN.	MM	IN.	MM	
ASTROLAB 31000; RG-402	29045-3	.141	3.58	.144	3.66			1
	29045-5	.141	3.58	.144	3.66	.175	4.45	2
ASTROLAB 31086; RG-405	29045-4	.086	2.18	.089	2.26			1
	29045-6	.086	2.18	.089	2.26	.125	3.18	2
Mil-C-17/151	29045-7	.047	1.19	.050	1.27	.125	3.18	2
ASTROLAB 35000	29045-35	.141	3.58	.144	3.66			1
ASTROLAB 38000	29045-38	.086	2.18	.89	8.26			1

Select Part No.:

[Click here](#) to view your cart.

Browse By Category

[Catalog Home](#)
[Microwave Cable Assemblies](#)
[Microwave Cable](#)
[Microwave Connectors](#)
[Contacts](#)

[Adaptors Between Series](#)
[Surge Protection Adaptors](#)
[Phase Shifters](#)
[Other Passive Components](#)

Tel: (732) 560-3800

Fax: (732) 560-9570

support@astrolab.com

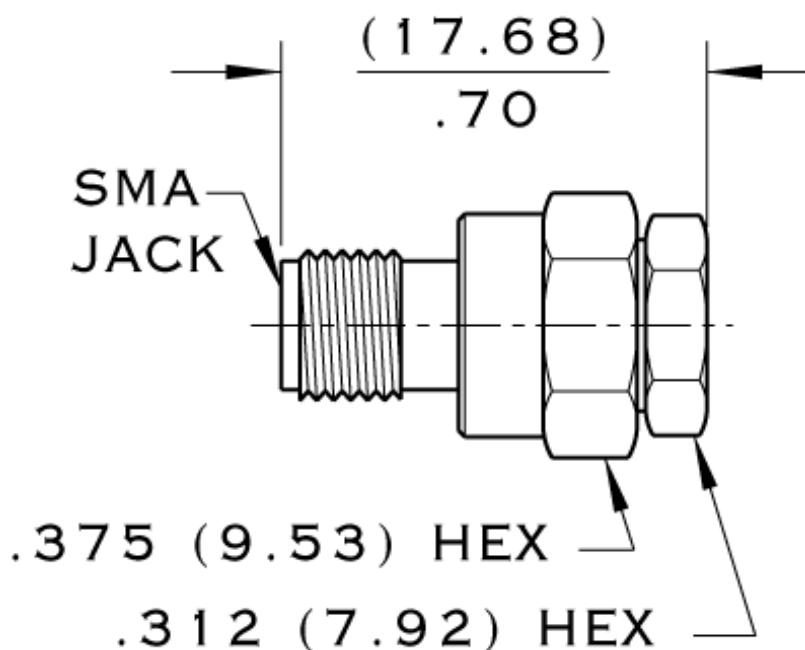
Search: in



SMA jack - 29010

[Catalog Home](#) -> [Microwave Connectors](#) -> [SMA Interface](#) -> [Semi-Rigid Cable Connectors](#) -> SMA jack - 29010

SMA jack 29010



- frequency 20 GHz max.
(Max. frequency can be limited by cable.)

CABLE	PART NO.	CABLE DIA.	
		IN.	MM
ASTROLAB 33000	29010-33	ASTROLAB	33000
RG-401	29010-250	.250	6.35
ASTROLAB 36000	29010-36	.250	6.35

Select Part No.:

[Click here](#) to view your cart.

Browse By Category

[Catalog Home](#)

[Microwave Cable Assemblies](#)

[Microwave Cable](#)

[Microwave Connectors](#)

[Contacts](#)

[Adaptors Between Series](#)

[Surge Protection Adaptors](#)

[Phase Shifters](#)

[Other Passive Components](#)

Tel: (732) 560-3800

Fax: (732) 560-9570

support@astrolab.com

Search:

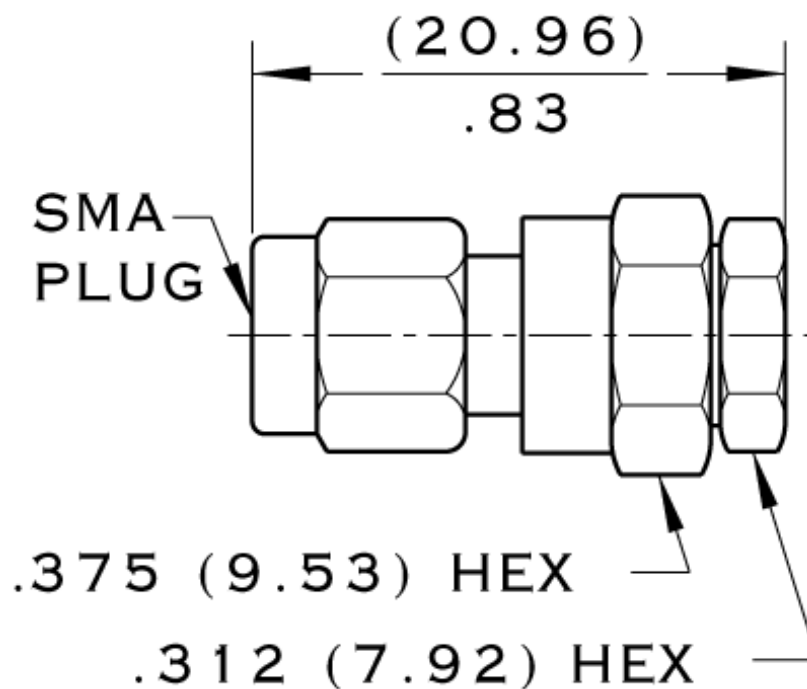
in



SMA plug - 29001

[Catalog Home](#) -> [Microwave Connectors](#) -> [SMA Interface](#) -> [Semi-Rigid Cable Connectors](#) -> SMA plug - 29001

SMA plug 29001



- frequency 20 GHz max.
(Max. frequency can be limited by cable.)

CABLE	PART NO.	CABLE DIA.	
		IN.	MM
ASTROLAB 33000	29001-33	ASTROLAB	33000
RG-401	29001-250	.250	6.35
ASTROLAB 36000	29001-36	.250	6.35
ASTROLAB 35000	29001-35	.141	3.58

Select Part No.:

[Click here](#) to view your cart.

Browse By Category

[Catalog Home](#)

[Microwave Cable Assemblies](#)

[Microwave Cable](#)

[Microwave Connectors](#)

[Contacts](#)

[Adaptors Between Series](#)

[Surge Protection Adaptors](#)

[Phase Shifters](#)

[Other Passive Components](#)

Tel: (732) 560-3800

Fax: (732) 560-9570

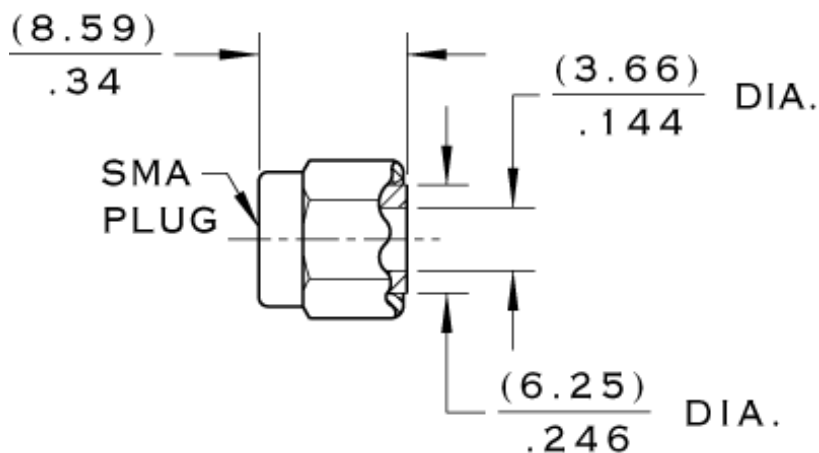
support@astrolab.com

Search:

in


SMA plug, 0.141 semi-rigid - 29043

[Catalog Home](#) -> [Microwave Connectors](#) -> [SMA Interface](#) -> [Semi-Rigid Cable Connectors](#) -> SMA plug, 0.141 semi-rigid - 29043

**SMA plug, 0.141 semi-rigid
29043**


- frequency 26.5 GHz max.
(Max. frequency can be limited by cable.)

CABLE	PART NO.	CABLE DIA.	
		IN.	MM
ASTROLAB 31000; RG-402	29043	.141	3.58

Select Part No.:

[Click here](#) to view your cart.

Browse By Category

[Catalog Home](#)

[Microwave Cable Assemblies](#)

[Microwave Cable](#)

[Microwave Connectors](#)

[Contacts](#)

[Adaptors Between Series](#)

[Surge Protection Adaptors](#)

[Phase Shifters](#)

[Other Passive Components](#)

Tel: (732) 560-3800

Fax: (732) 560-9570

support@astrolab.com

Search:

in


SMA plug, 0.141 semi-rigid - 29043-2

[Catalog Home](#) -> [Microwave Connectors](#) -> [SMA Interface](#) -> [Semi-Rigid Cable Connectors](#) -> SMA plug, 0.141 semi-rigid - 29043-2

**SMA plug, 0.141 semi-rigid
29043-2**


- frequency 26.5 GHz max.
(Max. frequency can be limited by cable.)

CABLE	PART NO.	CABLE DIA.	
		IN.	MM
ASTROLAB 31000; RG-402	29043-2	.141	3.58

Select Part No.:

[Click here](#) to view your cart.

Browse By Category

[Catalog Home](#)

[Microwave Cable Assemblies](#)

[Microwave Cable](#)

[Microwave Connectors](#)

[Contacts](#)

[Adaptors Between Series](#)

[Surge Protection Adaptors](#)

[Phase Shifters](#)

[Other Passive Components](#)

Tel: (732) 560-3800

Fax: (732) 560-9570

support@astrolab.com

Search:

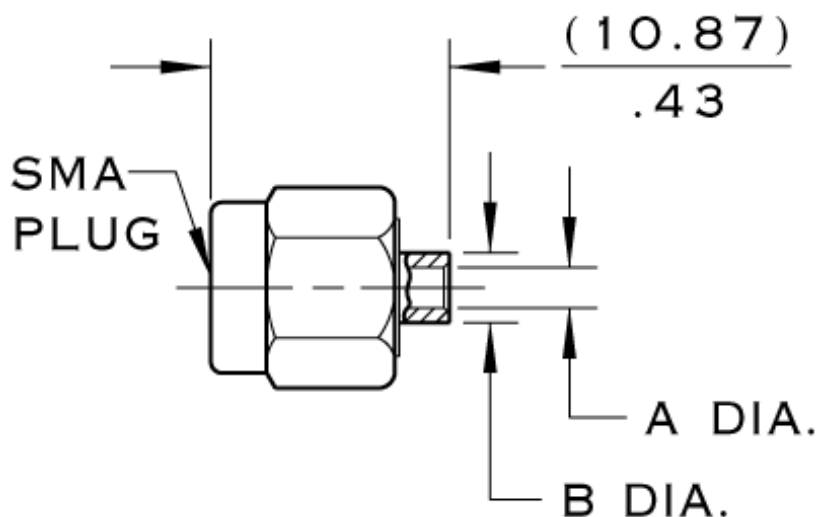
in



SMA plug - 29044

[Catalog Home](#) -> [Microwave Connectors](#) -> [SMA Interface](#) -> [Semi-Rigid Cable Connectors](#) -> SMA plug - 29044

SMA plug 29044



- frequency 25 GHz max.
(Max. frequency can be limited by cable.)

CABLE	PART NO.	CABLE DIA.		A DIA.		B DIA.	
		IN.	MM	IN.	MM	IN.	MM
ASTROLAB 31086; RG-405	29044-1	.086	2.18	.089	2.24	.125	3.18
ASTROLAB 31000; RG-402	29044-2	.141	3.58	.144	3.66	.175	4.45
Mil-C-17/151	29044-3	.047	1.19	.050	1.27	.125	3.18
	29044-4	.070	1.78	.073	1.85	.125	3.18
ASTROLAB 35000	29044-35	.141	3.58	.144	3.66	.175	4.45
ASTROLAB 38000	29044-38	.086	2.18	.089	2.26	.125	3.18

Select Part No.:

[Click here](#) to view your cart.

Browse By Category

[Catalog Home](#)

[Microwave Cable Assemblies](#)

[Microwave Cable](#)

[Microwave Connectors](#)

[Contacts](#)

[Adaptors Between Series](#)

[Surge Protection Adaptors](#)

[Phase Shifters](#)

[Other Passive Components](#)

Tel: (732) 560-3800

Fax: (732) 560-9570

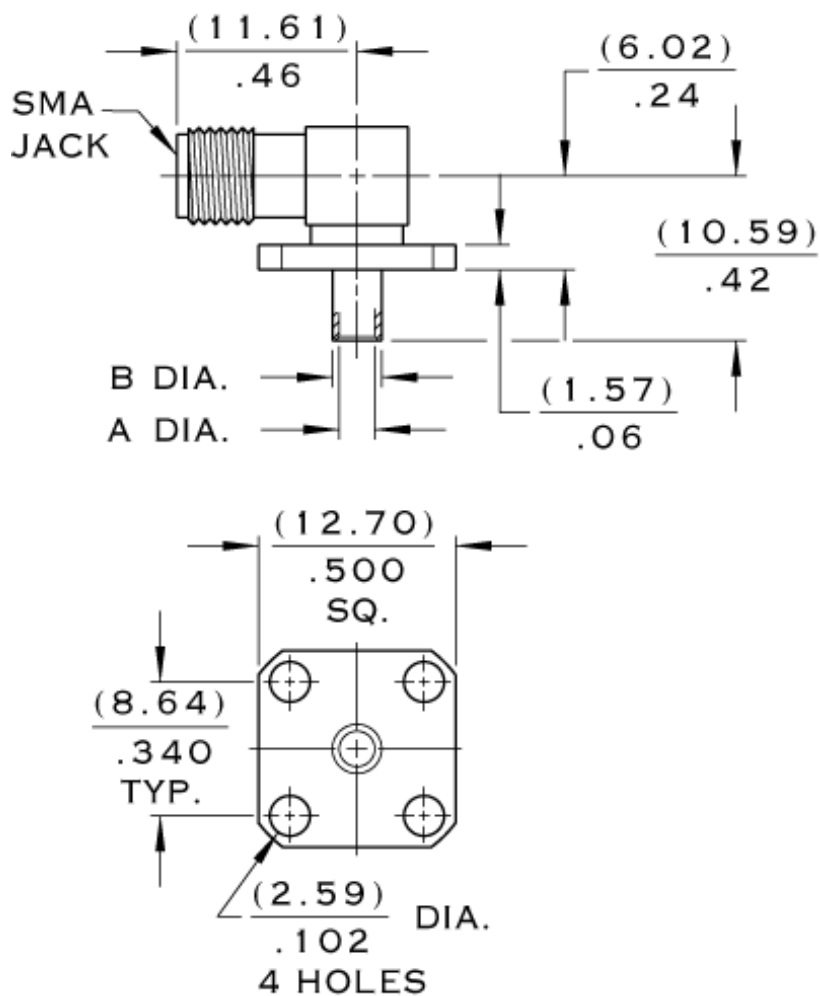
support@astrolab.com

Search:

in


right angle SMA jack - 29040F

[Catalog Home](#) -> [Microwave Connectors](#) -> [SMA Interface](#) -> [Semi-Rigid Cable Connectors](#) -> right angle SMA jack - 29040F

**right angle SMA jack
29040F**


- frequency 10 GHz max.
(Max. frequency can be limited by cable.)
- figure [S3 flange](#) detail

CABLE	PART NO.	CABLE DIA.		A DIA.		B DIA.	
		IN.	MM	IN.	MM	IN.	MM
ASTROLAB 31000; RG-402	29040F-1	.141	3.58	.144	3.66	.175	4.45
ASTROLAB 31086; RG-405	29040F-2	.086	2.18	.089	2.24	.125	3.18

Select Part No.:

[Click here](#) to view your cart.

Browse By Category

[Catalog Home](#)

[Microwave Cable Assemblies](#)

[Microwave Cable](#)

[Microwave Connectors](#)

[Contacts](#)

[Adaptors Between Series](#)

[Surge Protection Adaptors](#)

[Phase Shifters](#)

[Other Passive Components](#)

Tel: (732) 560-3800

Fax: (732) 560-9570

support@astrolab.com

Search:

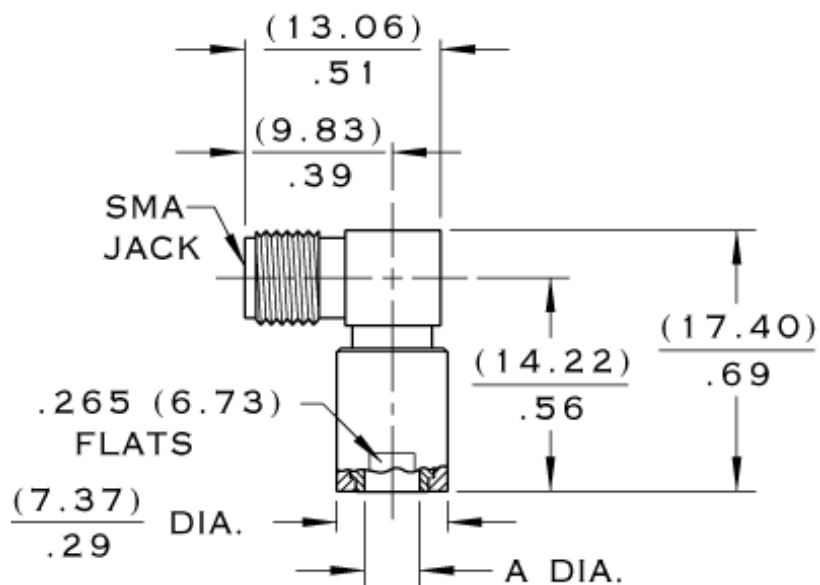
in



right angle SMA jack - 29201

[Catalog Home](#) -> [Microwave Connectors](#) -> [SMA Interface](#) -> [Semi-Rigid Cable Connectors](#) -> right angle SMA jack - 29201

right angle SMA jack 29201



- frequency 25 GHz max.
(Max. frequency can be limited by cable.)

CABLE	PART NO.	CABLE DIA.		A DIA.	
		IN.	MM	IN.	MM
ASTROLAB 31000; RG-402	29201-1	.141	3.58	.144	3.66
ASTROLAB 31086; RG-405	29201-2	.086	2.18	.089	2.26

Select Part No.:

[Click here](#) to view your cart.

Browse By Category

[Catalog Home](#)
[Microwave Cable Assemblies](#)
[Microwave Cable](#)
[Microwave Connectors](#)
[Contacts](#)

[Adaptors Between Series](#)
[Surge Protection Adaptors](#)
[Phase Shifters](#)
[Other Passive Components](#)

Tel: (732) 560-3800

Fax: (732) 560-9570

support@astrolab.com

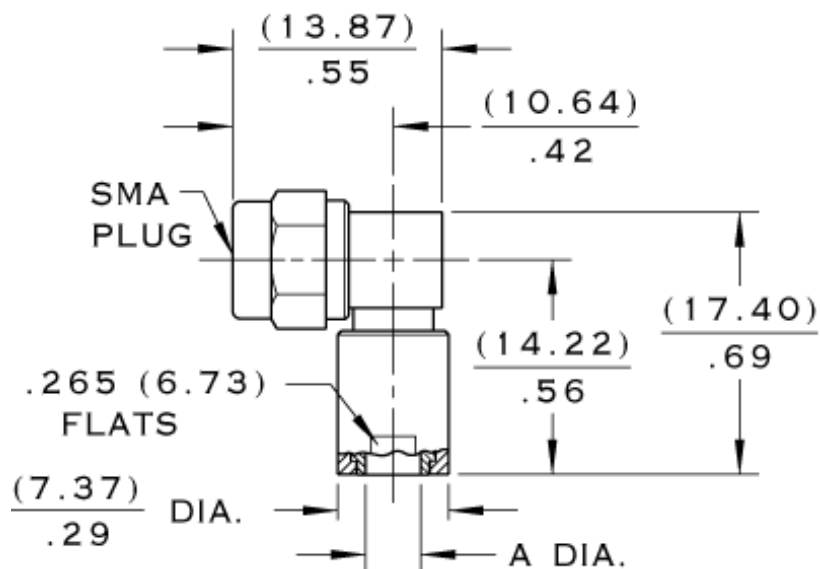
Search: in



right angle SMA plug - 29200

[Catalog Home](#) -> [Microwave Connectors](#) -> [SMA Interface](#) -> [Semi-Rigid Cable Connectors](#) -> right angle SMA plug - 29200

right angle SMA plug 29200



- frequency 25 GHz max.
(Max. frequency can be limited by cable.)

CABLE	PART NO.	CABLE DIA.		A DIA.	
		IN.	MM	IN.	MM
ASTROLAB 31000; RG-402	29200-1	.141	3.58	.144	3.66
ASTROLAB 31086; RG-405	29200-2	.086	2.18	.089	2.26

Select Part No.:

[Click here](#) to view your cart.

Browse By Category

[Catalog Home](#)
[Microwave Cable Assemblies](#)
[Microwave Cable](#)
[Microwave Connectors](#)
[Contacts](#)

[Adaptors Between Series](#)
[Surge Protection Adaptors](#)
[Phase Shifters](#)
[Other Passive Components](#)

Tel: (732) 560-3800

Fax: (732) 560-9570

support@astrolab.com

Search: in