

Flexible Cable Connectors

[Catalog Home](#) -> [Microwave Connectors](#) -> [TK Interface](#) -> Flexible Cable Connectors

Please continue your selection below:

- [90° sweep TK jack - 29792](#)
- [90° sweep TK plug - 29781](#)
- [TK jack - 29704](#)
- [TK jack - 29704](#)
- [TK plug - 29703](#)
- [TK plug - 29703](#)

Browse By Category

[Catalog Home](#)
[Microwave Cable Assemblies](#)
[Microwave Cable](#)
[Microwave Connectors](#)
[Contacts](#)

[Adaptors Between Series](#)
[Surge Protection Adaptors](#)
[Phase Shifters](#)
[Other Passive Components](#)

Tel: (732) 560-3800

Fax: (732) 560-9570

support@astrolab.com

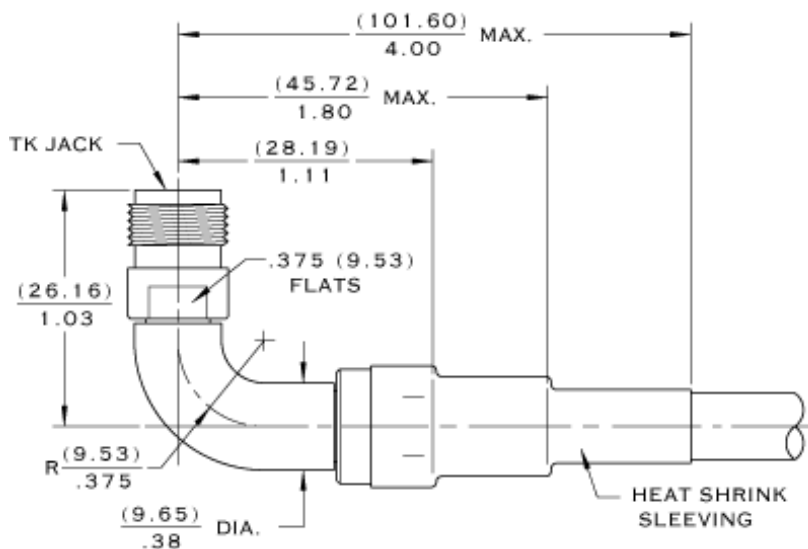
Search: _____ in _____



90° sweep TK jack - 29792

[Catalog Home](#) -> [Microwave Connectors](#) -> [TK Interface](#) -> [Flexible Cable Connectors](#) -> 90° sweep TK jack - 29792

90° sweep TK jack 29792



- frequency 19.5 GHz max.
(Max. frequency can be limited by cable.)
- crimp ferrule

CABLE	PART NO.
RG-58C/U, 142/U, 142A/U, 223/U	29792-32-0
RG-174/U, 188/U, 316/U	29792-32-3
ASTROLAB 32001	29792-32-1
ASTROLAB 32004	29792-32-4
ASTROLAB 32022	29792-32-22
ASTROLAB 32024	29792-32-24
ASTROLAB 32025	29792-32-25
ASTROLAB 32027	29792-32-27
ASTROLAB 32029	29792-32-29
ASTROLAB 32048	29792-32-48
ASTROLAB 32050	29792-32-50
ASTROLAB 32051	29792-32-51
ASTROLAB 32055	29792-32-55
ASTROLAB 32081	29792-32-81
ASTROLAB 32084	29792-32-84
ASTROLAB 32094	29792-32-94

Select Part No.:

[Click here](#) to view your cart.

Browse By Category

[Catalog Home](#)

[Microwave Cable Assemblies](#)

[Microwave Cable](#)

[Microwave Connectors](#)

[Contacts](#)

[Adaptors Between Series](#)

[Surge Protection Adaptors](#)

[Phase Shifters](#)

[Other Passive Components](#)

Search:

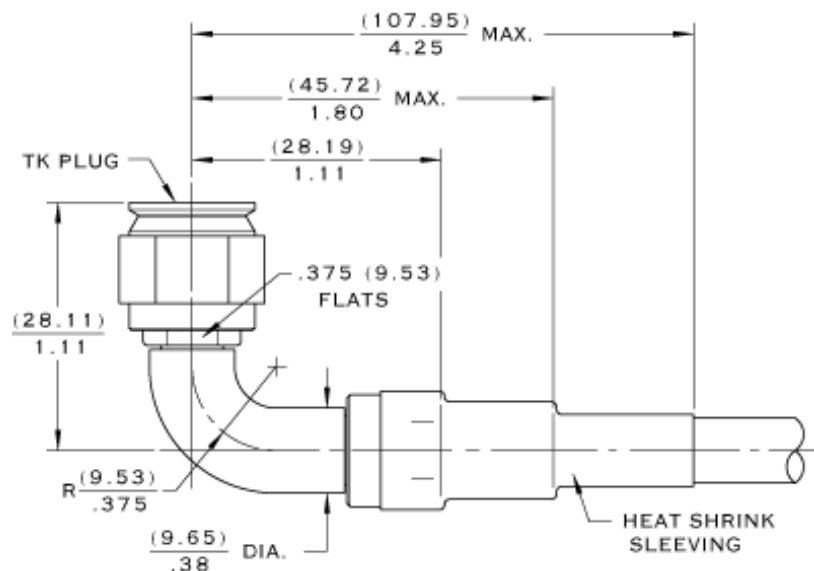
in



90° sweep TK plug - 29781

[Catalog Home](#) -> [Microwave Connectors](#) -> [TK Interface](#) -> [Flexible Cable Connectors](#) -> 90° sweep TK plug - 29781

90° sweep TK plug 29781



- frequency 19.5 GHz max.
(Max. frequency can be limited by cable.)
- crimp ferrule

CABLE	PART NO.
RG-58C/U, 142/U, 142A/U, 223/U	29781-32-0
RG-174/U, 188/U, 316/U	29781-32-3
ASTROLAB 32001	29781-32-1
ASTROLAB 32004	29781-32-4
ASTROLAB 32022	29781-32-22
ASTROLAB 32024	29781-32-24
ASTROLAB 32025	29781-32-25
ASTROLAB 32027	29781-32-27
ASTROLAB 32029	29781-32-29
ASTROLAB 32048	29781-32-48
ASTROLAB 32050	29781-32-50
ASTROLAB 32051	29781-32-51
ASTROLAB 32055	29781-32-55
ASTROLAB 32081	29781-32-81
ASTROLAB 32084	29781-32-84
ASTROLAB 32094	29781-32-94

Select Part No.:

[Click here](#) to view your cart.

Browse By Category

[Catalog Home](#)
[Microwave Cable Assemblies](#)
[Microwave Cable](#)
[Microwave Connectors](#)
[Contacts](#)

[Adaptors Between Series](#)
[Surge Protection Adaptors](#)
[Phase Shifters](#)
[Other Passive Components](#)

Tel: (732) 560-3800

Fax: (732) 560-9570

support@astrolab.com

Search:

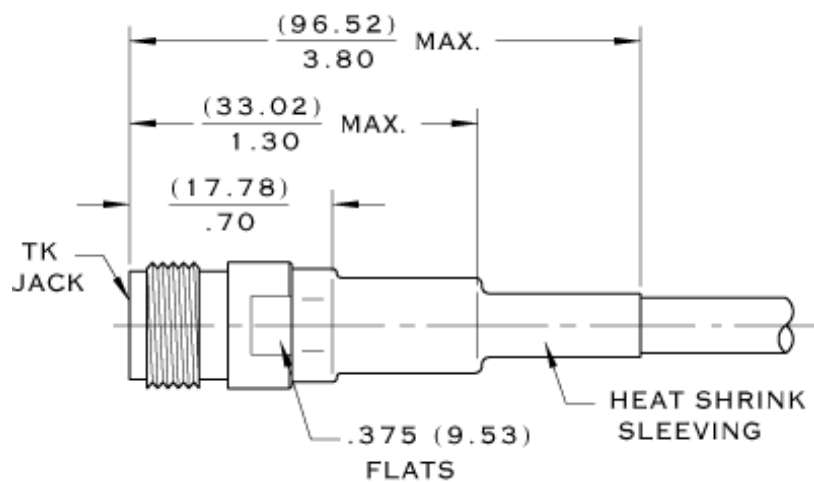
in



TK jack - 29704

[Catalog Home](#) -> [Microwave Connectors](#) -> [TK Interface](#) -> [Flexible Cable Connectors](#) -> TK jack - 29704

TK jack 29704



- frequency 22 GHz max.
(Max. frequency can be limited by cable.)
- crimp ferrule

CABLE	PART NO.
RG-58C/U, 142/U, 142A/U, 223/U	29704-32-0
RG-174/U, 188/U, 316/U	29704-32-3
ASTROLAB 32001	29704-32-1
ASTROLAB 32004	29704-32-4
ASTROLAB 32022	29704-32-22
ASTROLAB 32024	29704-32-24
ASTROLAB 32025	29704-32-25
ASTROLAB 32027	29704-32-27
ASTROLAB 32029	29704-32-29
ASTROLAB 32081	29704-32-81
ASTROLAB 32084	29704-32-84
ASTROLAB 32086	29704-32-86

Select Part No.:

[Click here](#) to view your cart.

Browse By Category

[Catalog Home](#)
[Microwave Cable Assemblies](#)
[Microwave Cable](#)
[Microwave Connectors](#)
[Contacts](#)

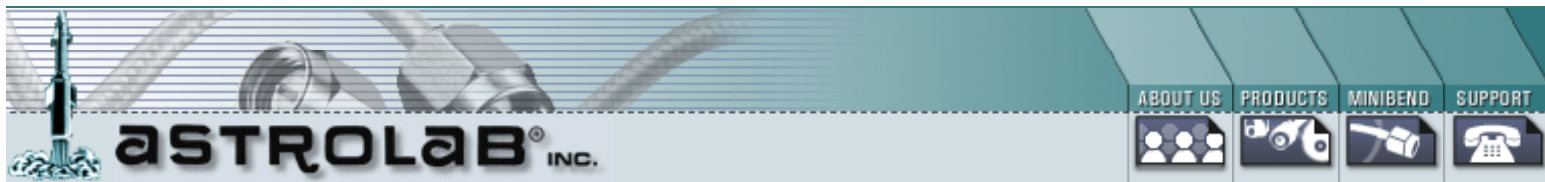
[Adaptors Between Series](#)
[Surge Protection Adaptors](#)
[Phase Shifters](#)
[Other Passive Components](#)

Tel: (732) 560-3800

Fax: (732) 560-9570

support@astrolab.com

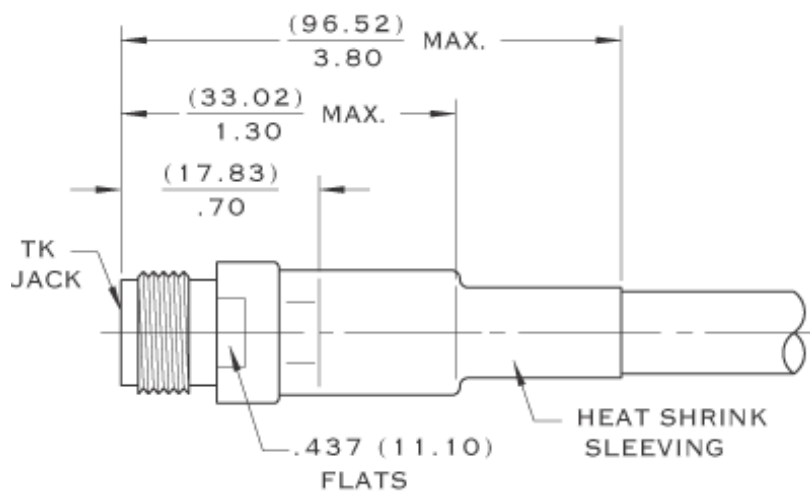
Search: in



TK jack - 29704

[Catalog Home](#) -> [Microwave Connectors](#) -> [TK Interface](#) -> [Flexible Cable Connectors](#) -> TK jack - 29704

TK jack 29704



- frequency 22 GHz max.
(Max. frequency can be limited by cable.)
- crimp ferrule

CABLE	PART NO.
ASTROLAB 32048	29704-32-48
ASTROLAB 32050	29704-32-50
ASTROLAB 32051	29704-32-51
ASTROLAB 32055	29704-32-55
ASTROLAB 32094	29704-32-94

Select Part No.:

[Click here](#) to view your cart.

Browse By Category

[Catalog Home](#)

[Microwave Cable Assemblies](#)

[Microwave Cable](#)

[Microwave Connectors](#)

[Contacts](#)

[Adaptors Between Series](#)

[Surge Protection Adaptors](#)

[Phase Shifters](#)

[Other Passive Components](#)

Tel: (732) 560-3800

Fax: (732) 560-9570

support@astrolab.com

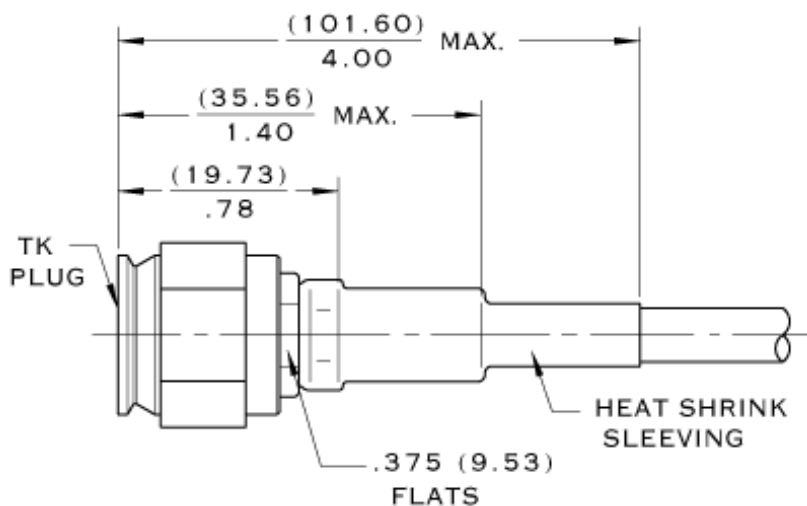
Search: in



TK plug - 29703

[Catalog Home](#) -> [Microwave Connectors](#) -> [TK Interface](#) -> [Flexible Cable Connectors](#) -> TK plug - 29703

TK plug 29703



- frequency 22 GHz max.
(Max. frequency can be limited by cable.)
- crimp ferrule

CABLE	PART NO.
RG-58C/U, 142/U, 142A/U, 223/U	29703-32-0
RG-174/U, 188/U, 316/U	29703-32-3
ASTROLAB 32001	29703-32-1
ASTROLAB 32004	29703-32-4
ASTROLAB 32022	29703-32-22
ASTROLAB 32024	29703-32-24
ASTROLAB 32025	29703-32-25
ASTROLAB 32027	29703-32-27
ASTROLAB 32029	29703-32-29
ASTROLAB 32081	29703-32-81
ASTROLAB 32084	29703-32-84
ASTROLAB 32086	29703-32-86

Select Part No.:

[Click here](#) to view your cart.

Browse By Category

[Catalog Home](#)
[Microwave Cable Assemblies](#)
[Microwave Cable](#)
[Microwave Connectors](#)
[Contacts](#)

[Adaptors Between Series](#)
[Surge Protection Adaptors](#)
[Phase Shifters](#)
[Other Passive Components](#)

Tel: (732) 560-3800

Fax: (732) 560-9570

support@astrolab.com

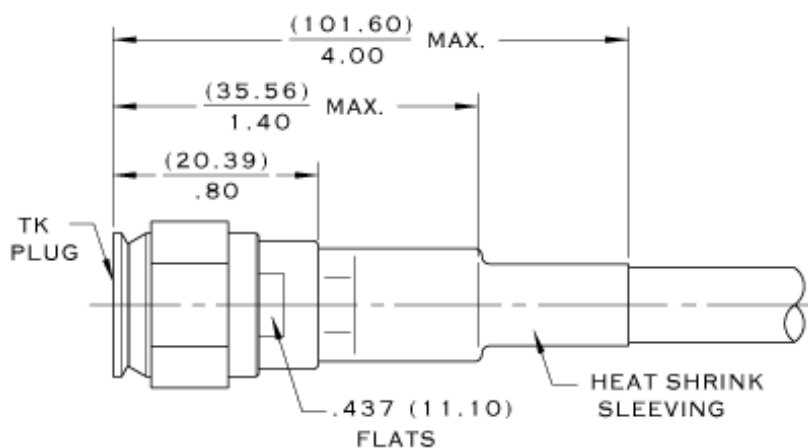
Search: in



TK plug - 29703

[Catalog Home](#) -> [Microwave Connectors](#) -> [TK Interface](#) -> [Flexible Cable Connectors](#) -> TK plug - 29703

TK plug 29703



- frequency 22 GHz max.
(Max. frequency can be limited by cable.)
- crimp ferrule

CABLE	PART NO.
ASTROLAB 32048	29703-32-48
ASTROLAB 32050	29703-32-50
ASTROLAB 32051	29703-32-51
ASTROLAB 32055	29703-32-55
ASTROLAB 32094	29703-32-94

Select Part No.:

[Click here](#) to view your cart.

Browse By Category

[Catalog Home](#)
[Microwave Cable Assemblies](#)
[Microwave Cable](#)
[Microwave Connectors](#)
[Contacts](#)

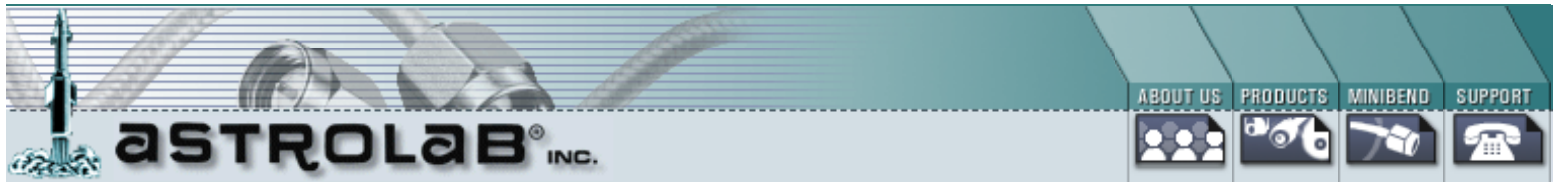
[Adaptors Between Series](#)
[Surge Protection Adaptors](#)
[Phase Shifters](#)
[Other Passive Components](#)

Tel: (732) 560-3800

Fax: (732) 560-9570

support@astrolab.com

Search: in



Semi-Rigid Cable Connectors

[Catalog Home](#) -> [Microwave Connectors](#) -> [TK Interface](#) -> Semi-Rigid Cable Connectors

Please continue your selection below:

- [90° sweep TK jack - 29792](#)
- [90° sweep TK plug - 29781](#)
- [TK jack, flanged - 29704F](#)
- [TK jack - 29704](#)
- [TK plug - 29703](#)

Browse By Category

[Catalog Home](#)
[Microwave Cable Assemblies](#)
[Microwave Cable](#)
[Microwave Connectors](#)
[Contacts](#)

[Adaptors Between Series](#)
[Surge Protection Adaptors](#)
[Phase Shifters](#)
[Other Passive Components](#)

Tel: (732) 560-3800

Fax: (732) 560-9570

support@astrolab.com

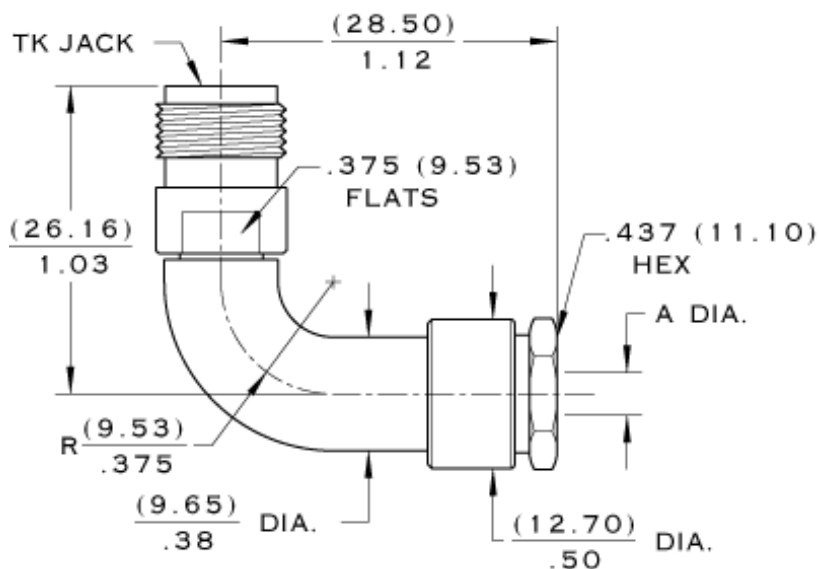
Search: _____ in _____



90° sweep TK jack - 29792

[Catalog Home](#) -> [Microwave Connectors](#) -> [TK Interface](#) -> [Semi-Rigid Cable Connectors](#) -> 90° sweep TK jack - 29792

90° sweep TK jack 29792



- frequency 19.5 GHz max.
(Max. frequency can be limited by cable.)

CABLE	PART NO.	CABLE DIA.		A DIA.	
		IN.	MM	IN.	MM
ASTROLAB 31000; RG-402	29792-1	.141	3.58	.144	3.66
ASTROLAB 31086; RG-405	29792-2	.086	2.18	.089	2.26
RG-401	29792-3	.250	6.35	.255	6.48
ASTROLAB 33000	29792-33	ASTROLAB 33000		.238	6.05

Select Part No.:

[Click here](#) to view your cart.

Browse By Category

[Catalog Home](#)
[Microwave Cable Assemblies](#)
[Microwave Cable](#)
[Microwave Connectors](#)
[Contacts](#)

[Adaptors Between Series](#)
[Surge Protection Adaptors](#)
[Phase Shifters](#)
[Other Passive Components](#)

Tel: (732) 560-3800

Fax: (732) 560-9570

support@astrolab.com

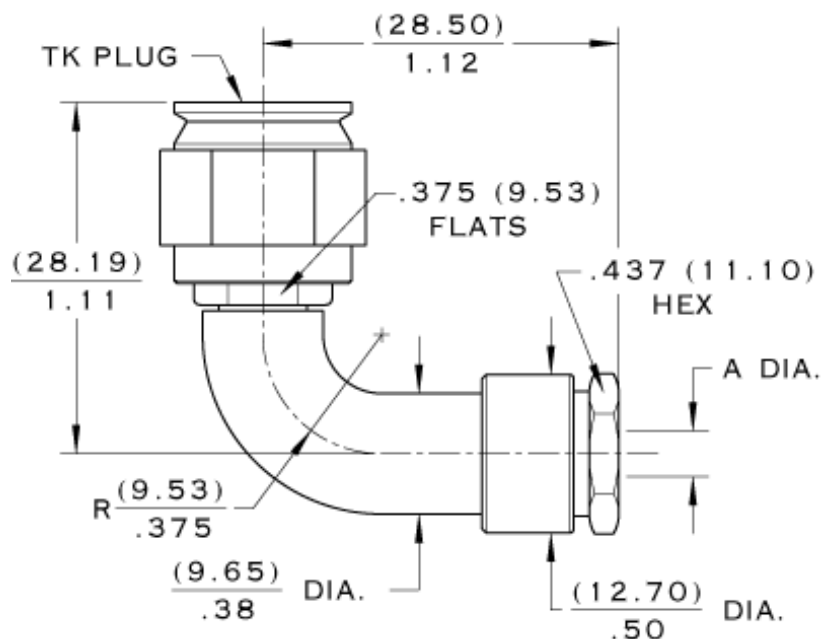
Search: in



90° sweep TK plug - 29781

[Catalog Home](#) -> [Microwave Connectors](#) -> [TK Interface](#) -> [Semi-Rigid Cable Connectors](#) -> 90° sweep TK plug - 29781

90° sweep TK plug 29781



- frequency 19.5 GHz max.
(Max. frequency can be limited by cable.)

CABLE	PART NO.	CABLE DIA.		A DIA.	
		IN.	MM	IN.	MM
ASTROLAB 31000; RG-402	29781-1	.141	3.58	.144	3.66
ASTROLAB 31086; RG-405	29781-2	.086	2.18	.089	2.26
RG-401	29781-3	.250	6.35	.255	6.48
ASTROLAB 33000	29781-33	ASTROLAB 33000		.238	6.05

Select Part No.:

[Click here](#) to view your cart.

Browse By Category

[Catalog Home](#)
[Microwave Cable Assemblies](#)
[Microwave Cable](#)
[Microwave Connectors](#)
[Contacts](#)

[Adaptors Between Series](#)
[Surge Protection Adaptors](#)
[Phase Shifters](#)
[Other Passive Components](#)

Tel: (732) 560-3800

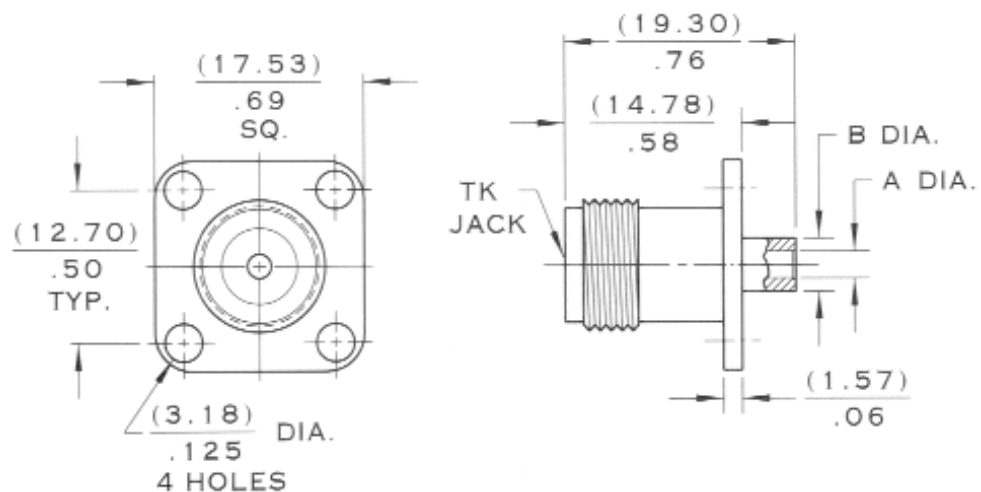
Fax: (732) 560-9570

support@astrolab.com

Search: in


TK jack, flanged - 29704F

[Catalog Home](#) -> [Microwave Connectors](#) -> [TK Interface](#) -> [Semi-Rigid Cable Connectors](#) -> TK jack, flanged - 29704F

**TK jack, flanged
29704F**


- frequency 22 GHz max.
(Max. frequency can be limited by cable.)
- figure [T1 flange](#) detail

CABLE	PART NO.	CABLE DIA.		A DIA.		B DIA.	
		IN.	MM	IN.	MM	IN.	MM
ASTROLAB 31000; RG-402	29704F-1	.141	3.58	.144	3.66	.175	4.45
ASTROLAB 31086; RG-405	29704F-2	.086	2.18	.089	2.26	.125	3.18

Select Part No.:

[Click here](#) to view your cart.

Browse By Category

[Catalog Home](#)

[Microwave Cable Assemblies](#)

[Microwave Cable](#)

[Microwave Connectors](#)

[Contacts](#)

[Adaptors Between Series](#)

[Surge Protection Adaptors](#)

[Phase Shifters](#)

[Other Passive Components](#)

Tel: (732) 560-3800

Fax: (732) 560-9570

support@astrolab.com

Search:

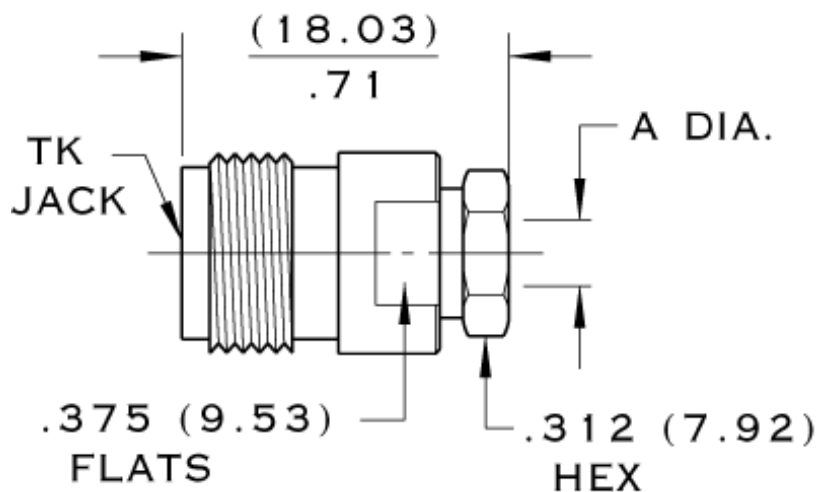
in



TK jack - 29704

[Catalog Home](#) -> [Microwave Connectors](#) -> [TK Interface](#) -> [Semi-Rigid Cable Connectors](#) -> TK jack - 29704

TK jack 29704



- frequency 22 GHz max.
(Max. frequency can be limited by cable.)

CABLE	PART NO.	CABLE DIA.		A DIA.	
		IN.	MM	IN.	MM
ASTROLAB 31000; RG-402	29704-1	.141	3.58	.144	3.66
ASTROLAB 31086; RG-405	29704-2	.086	2.18	.089	2.26
RG-401	29704-4	.250	6.35	.255	6.48

Select Part No.:

[Click here](#) to view your cart.

Browse By Category

[Catalog Home](#)
[Microwave Cable Assemblies](#)
[Microwave Cable](#)
[Microwave Connectors](#)
[Contacts](#)

[Adaptors Between Series](#)
[Surge Protection Adaptors](#)
[Phase Shifters](#)
[Other Passive Components](#)

Tel: (732) 560-3800

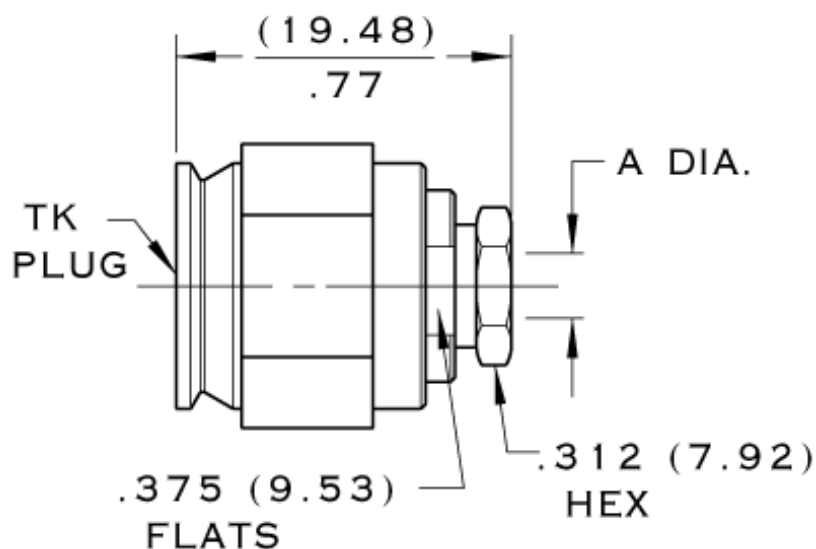
Fax: (732) 560-9570

support@astrolab.com

Search: in

**TK plug - 29703**

[Catalog Home](#) -> [Microwave Connectors](#) -> [TK Interface](#) -> [Semi-Rigid Cable Connectors](#) -> TK plug - 29703



CABLE	PART NO.	CABLE DIA.		A DIA.	
		IN.	MM	IN.	MM
ASTROLAB 31000; RG-402	29703-1	.141	3.58	.144	3.66
ASTROLAB 31086; RG-405	29703-2	.086	2.18	.089	2.26
RG-401	29703-4	.250	6.35	.255	6.48

Select Part No.:

[Click here](#) to view your cart.

Browse By Category

[Catalog Home](#)

[Microwave Cable Assemblies](#)

[Microwave Cable](#)

[Microwave Connectors](#)

[Contacts](#)

[Adaptors Between Series](#)

[Surge Protection Adaptors](#)

[Phase Shifters](#)

[Other Passive Components](#)

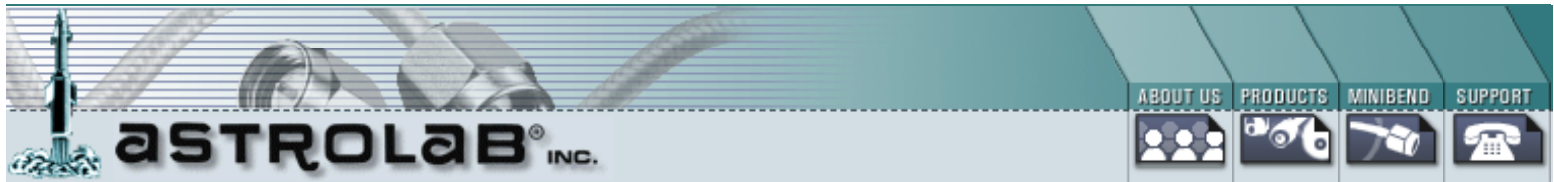
Tel: (732) 560-3800

Fax: (732) 560-9570

support@astrolab.com

Search:

in



Panel Mount Connectors

[Catalog Home](#) -> [Microwave Connectors](#) -> [TK Interface](#) -> Panel Mount Connectors

Please continue your selection below:

- [90° sweep TK jack, flanged - 29752](#)
- [90° sweep TK plug, flanged - 29751](#)
- [TK jack, flanged - 29748](#)
- [TK plug, flanged - 29749](#)

Browse By Category

[Catalog Home](#)

[Microwave Cable Assemblies](#)

[Microwave Cable](#)

[Microwave Connectors](#)

[Contacts](#)

[Adaptors Between Series](#)

[Surge Protection Adaptors](#)

[Phase Shifters](#)

[Other Passive Components](#)

Tel: (732) 560-3800

Fax: (732) 560-9570

support@astrolab.com

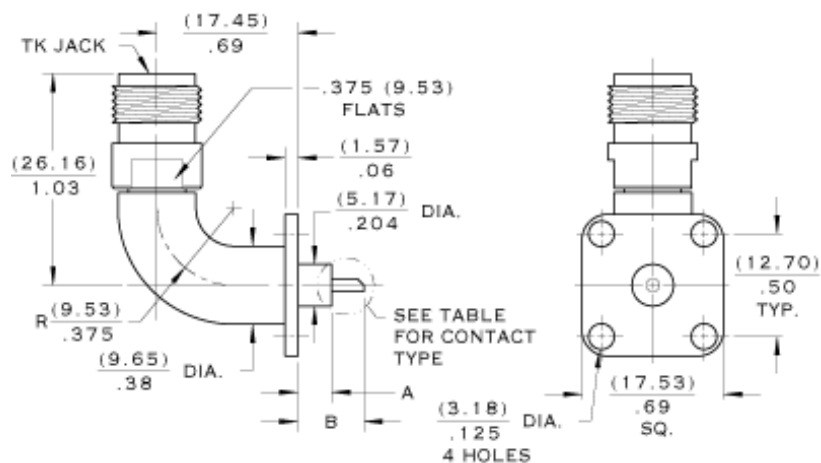
Search: _____ in _____



90° sweep TK jack, flanged - 29752

[Catalog Home](#) -> [Microwave Connectors](#) -> [TK Interface](#) -> [Panel Mount Connectors](#) -> 90° sweep TK jack, flanged - 29752

90° sweep TK jack, flanged 29752



- frequency 19.5 GHz max.
- figure [T1 flange](#) detail

PART NO.	CONTACT TYPE	A		B	
		IN.	MM	IN.	MM
29752-1	1AS	.165	4.19	.380	9.65
29752-2	2AS	.000	0.00	.050	1.27
29752-3	5AS	.000	0.00	.100	2.54
29752-4	3AS	.000	0.00	.062	1.57
29752-5	3AS	.000	0.00	.093	2.36
29752-6	3AS	.000	0.00	.125	3.18
29752-7	5AS	.350	8.89	.450	11.43
29752-8	1AS	.000	0.00	.050	1.27
29752-10	3AS	.480	12.19	1.000	25.40
29752-11	3AS	.270	6.86	.340	8.64
29752-12	3AS	.188	4.78	.388	9.86
29752-13	3AS	.125	3.18	.250	6.35

Select Part No.:

[Click here](#) to view your cart.

Browse By Category

[Catalog Home](#)
[Microwave Cable Assemblies](#)
[Microwave Cable](#)
[Microwave Connectors](#)
[Contacts](#)

[Adaptors Between Series](#)
[Surge Protection Adaptors](#)
[Phase Shifters](#)
[Other Passive Components](#)

Tel: (732) 560-3800

Fax: (732) 560-9570

support@astrolab.com

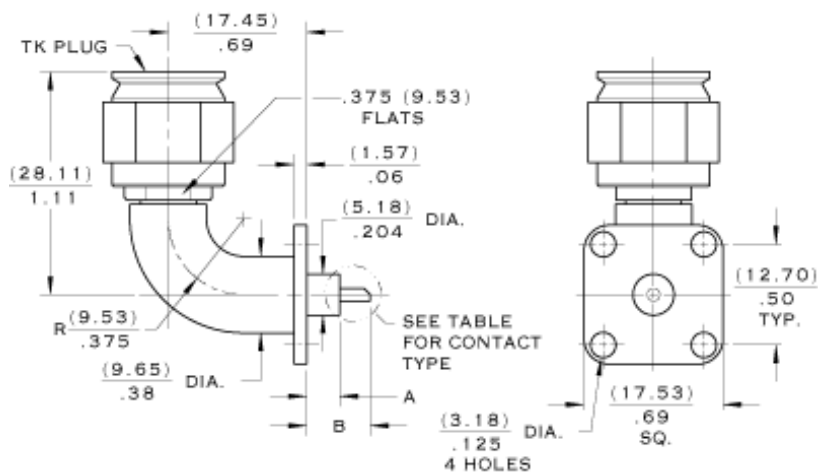
Search: in



90° sweep TK plug, flanged - 29751

[Catalog Home](#) -> [Microwave Connectors](#) -> [TK Interface](#) -> [Panel Mount Connectors](#) -> 90° sweep TK plug, flanged - 29751

90° sweep TK plug, flanged 29751



- frequency 19.5 GHz max.
- figure [T1 flange](#) detail

PART NO.	CONTACT TYPE	A		B	
		IN.	MM	IN.	MM
29751-1	1AS	.165	4.19	.380	9.65
29751-2	2AS	.000	0.00	.050	1.27
29751-3	5AS	.000	0.00	.100	2.54
29751-4	3AS	.000	0.00	.062	1.57
29751-5	3AS	.000	0.00	.093	2.36
29751-6	3AS	.000	0.00	.125	3.18
29751-7	5AS	.350	8.89	.450	11.43
29751-8	1AS	.000	0.00	.050	1.27
29751-10	3AS	.125	3.18	.250	6.35

Select Part No.:

[Click here](#) to view your cart.

Browse By Category

[Catalog Home](#)
[Microwave Cable Assemblies](#)
[Microwave Cable](#)
[Microwave Connectors](#)
[Contacts](#)

[Adaptors Between Series](#)
[Surge Protection Adaptors](#)
[Phase Shifters](#)
[Other Passive Components](#)

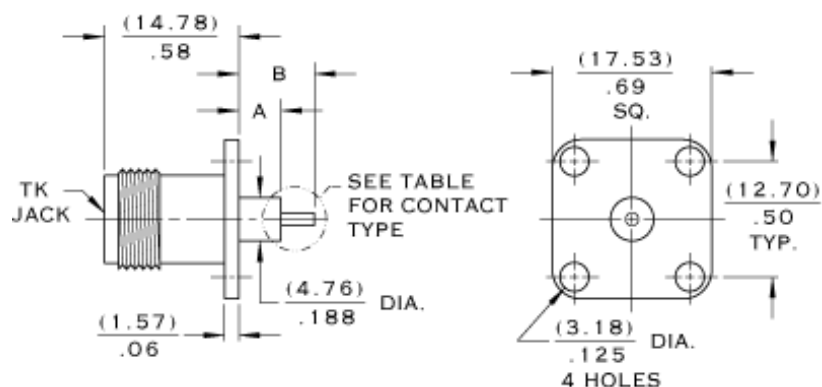
Tel: (732) 560-3800

Fax: (732) 560-9570

support@astrolab.com

Search: in


TK jack, flanged - 29748
[Catalog Home](#) -> [Microwave Connectors](#) -> [TK Interface](#) -> [Panel Mount Connectors](#) -> TK jack, flanged - 29748

**TK jack, flanged
29748**


- frequency 22 GHz max.
- figure [T1 flange](#) detail

PART NO.	CONTACT TYPE	A		B	
		IN.	MM	IN.	MM
29748-1C	1E	.165	4.19	.380	9.65
29748-2C	2P	.000	0.00	.050	1.27
29748-3C	5G	.000	0.00	.030	0.76
29748-4C	3G	.000	0.00	.062	1.57
29748-5C	3G	.000	0.00	.093	2.36
29748-6C	3G	.000	0.00	.125	3.18
29748-7C	8D	.000	0.00	.000	0.00
29748-9C	5G	.350	8.89	.450	11.43
29748-10C	2P	.000	0.00	.050	1.27

Select Part No.:
[Click here](#) to view your cart.

Browse By Category
[Catalog Home](#)
[Microwave Cable Assemblies](#)
[Microwave Cable](#)
[Microwave Connectors](#)
[Contacts](#)
[Adaptors Between Series](#)
[Surge Protection Adaptors](#)
[Phase Shifters](#)
[Other Passive Components](#)

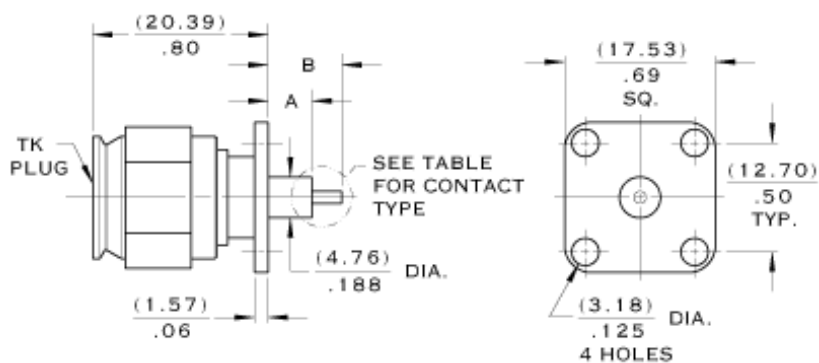
Tel: (732) 560-3800

Fax: (732) 560-9570

support@astrolab.com

 Search: in


TK plug, flanged - 29749
[Catalog Home](#) -> [Microwave Connectors](#) -> [TK Interface](#) -> [Panel Mount Connectors](#) -> TK plug, flanged - 29749

**TK plug, flanged
29749**


- frequency 22 GHz max.
- figure [T1 flange](#) detail

PART NO.	CONTACT TYPE	A		B	
		IN.	MM	IN.	MM
29749-1C	1E	.165	4.19	.380	9.65
29749-2C	2P	.000	0.00	.060	1.52
29749-3C	5G	.000	0.00	.100	2.54
29749-4C	3G	.000	0.00	.062	1.57
29749-5C	3G	.000	0.00	.093	2.36
29749-6C	3G	.000	0.00	.125	3.18
29749-7C	5G	.350	8.89	.450	11.43
29749-8C	1E	.000	0.00	.050	1.27
29749-9C	2P	.000	0.00	.050	1.27
29749-10C	8D	.000	0.00	.000	0.00

Select Part No.:
[Click here](#) to view your cart.

Browse By Category

[Catalog Home](#)
[Microwave Cable Assemblies](#)
[Microwave Cable](#)
[Microwave Connectors](#)
[Contacts](#)

[Adaptors Between Series](#)
[Surge Protection Adaptors](#)
[Phase Shifters](#)
[Other Passive Components](#)

Tel: (732) 560-3800

Fax: (732) 560-9570

support@astrolab.com

Search:

in