

Preliminary data

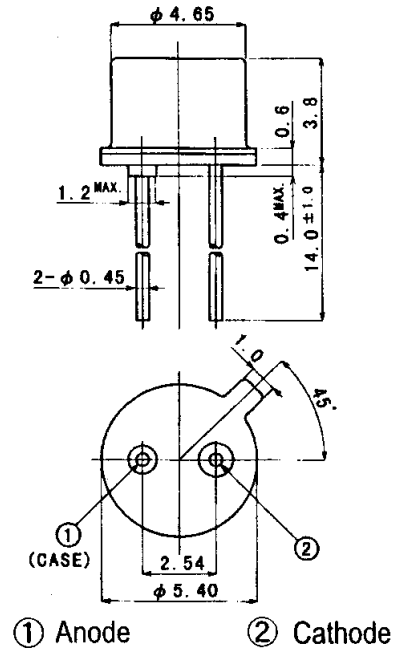
Radiation	Type	Technology	Case
Infrared	Wide angel	InGaAs/InP	TO-18

Description

High-power, high-speed, MQW heterostructure

Applications

Optical communications, safety equipment, automation



Maximum Ratings

$T_{amb} = 25^\circ\text{C}$, unless otherwise specified

Parameter	Test conditions	Symbol	Value	Unit
Forward current (DC)		I_F	100	mA
Peak forward current	$(t_p \leq 50 \mu\text{s}, t_p/T = 1/2)$	I_{FM}	200	mA
Reverse voltage	$I_R = 100 \mu\text{A}$	V_R	5	V
Power dissipation		P_D	150	mW
Operating temperature range		T_{amb}	-30 to +85	$^\circ\text{C}$
Storage temperature range		T_{stg}	-40 to +100	$^\circ\text{C}$

Optical and Electrical Characteristics

$T_{amb} = 25^\circ\text{C}$, unless otherwise specified

Parameter	Test conditions	Symbol	Min	Typ	Max	Unit
Forward voltage	$I_F = 100 \text{ mA}$	V_F		1.0	1.2	V
Radiant power	$I_F = 100 \text{ mA}$	Φ_e	1.5	2.2		mW
Peak wavelength	$I_F = 100 \text{ mA}$	λ_p	1250	1310	1350	nm
Spectral bandwidth at 50%	$I_F = 100 \text{ mA}$	$\Delta\lambda_{0.5}$		70		nm
Viewing angle	$I_F = 100 \text{ mA}$	2ϕ		90		deg.