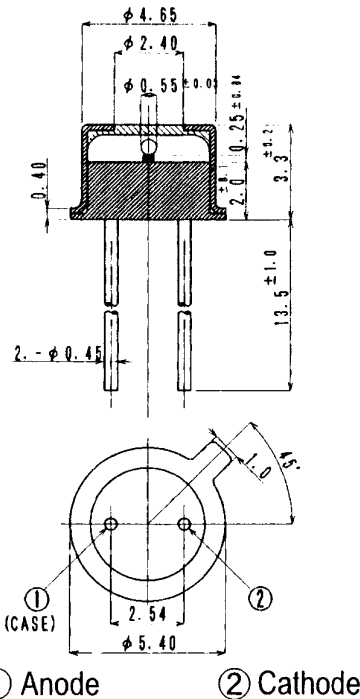


Color	Type	Technology	Case
Red	Ball lens	AllnGaP/GaAs	TO 46



Maximum Ratings

$T_{amb} = 25^{\circ}\text{C}$, unless otherwise specified

Parameter	Test conditions	Symbol	Value	Unit
Forward current (DC)		I_F	20	mA
Peak forward current	$(t_p \leq 50 \mu\text{s}, t_p/T = 1/2)$	I_{FM}	50	mA
Reverse voltage	$I_R = 100 \mu\text{A}$	V_R	4	V
Operating temperature range		T_{amb}	-30 to +100	$^{\circ}\text{C}$
Storage temperature range		T_{stg}	-40 to +125	$^{\circ}\text{C}$

Optical and Electrical Characteristics

$T_{amb} = 25^{\circ}\text{C}$, unless otherwise specified

Parameter	Test conditions	Symbol	Min	Typ	Max	Unit
Forward voltage	$I_F = 20 \text{ mA}$	V_F		2.9		V
Radiant power	$I_F = 20 \text{ mA}$	Φ_e		0.3		mW
Luminous flux	$I_F = 20 \text{ mA}$	Φ_v		35		mlm
Peak wavelength	$I_F = 20 \text{ mA}$	λ_p		645		nm
Spectral bandwidth at 50%	$I_F = 20 \text{ mA}$	$\Delta\lambda_{0.5}$		20		nm
Viewing angle		φ		12		deg.