

Preliminary

HV Series 65GHz Coaxial Connectors



■ Features

- (1) Interchangeable with V Connector*
- (2) High frequency capability : UP to 65GHz

■ Applications

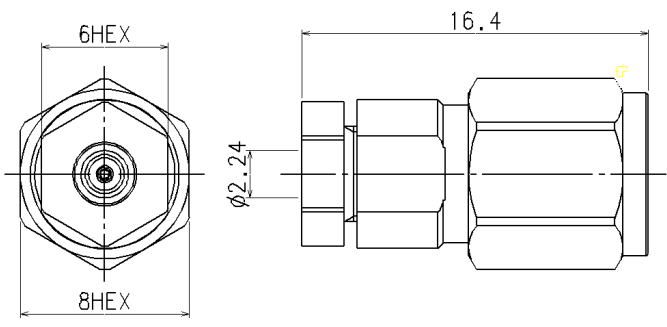
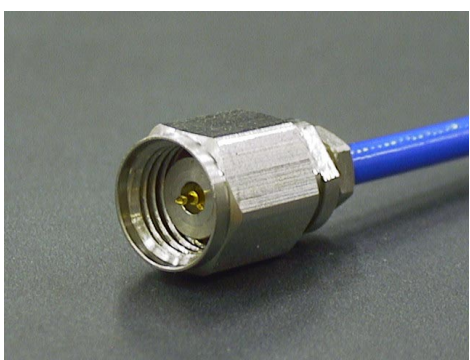
- Optical and electrical transmission equipment
- Electronic measuring instruments and other high frequency device

■ Specifications

Characteristic Impedance	50 Ω
V.S.W.R	1.15MAX 0.045 ~ 26.5 GHz
	1.25MAX 26.5 ~ 50 GHz
	1.35MAX 50 ~ 65 GHz
Insulation Resistance	500M Ω MIN
Withstanding Voltage	300V AC for minute
Contact Resistance	inner 4m Ω MAX
	outer 4m Ω MAX

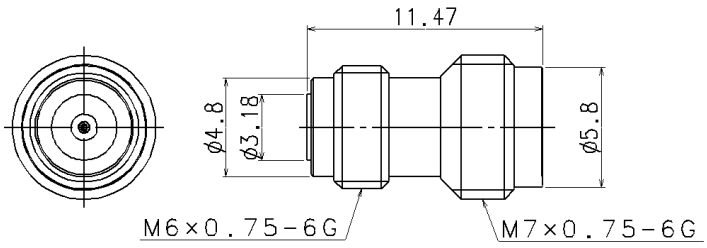
* 'V Connector' is a registered trademark of Anritsu Corporation

■ Plug(.085inch)



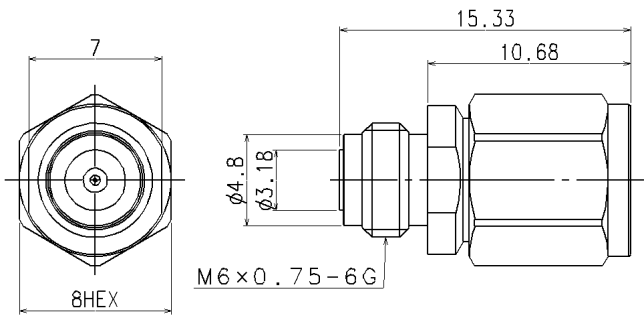
Product No.	Note
HV-P-085	Only Assembled

■ Receptacle(Bulkhead Type)



Product No.	Note
HV-BR01	_____

■ Plug Receptacle(Bulkhead Type)



Product No.	Note
HV-BPR01	_____