

產品規格 / 承認書

PRODUCT SPECIFICATION / APPROVAL SHEET

客戶  
CUSTOMER:

元山型號  
Y.S. TECH MODEL NO.: PD1270155B-2F

客戶型號  
CUSTOMER MODEL NO.:

本承認書內容若貴公司確認無誤，懇請於下方承認欄內簽章寄回。

Please confirm your acceptance of this approval sheet by return fax.

承認欄  
CONFIRMATION SIGNATURE

元山科技工業股份有限公司  
熱技術管理事業部 / Y.S.TECH  
YEN SUN TECHNOLOGY  
CORPORATION

高雄縣仁武鄉鳳仁路三二九號 (814)  
No.329 Feng Ren Road, Ren Wu Shiang,  
Kaohsiung, Taiwan ROC 814  
Tel: 886-7-3713588 Fax: 886-7-3719643  
E-mail: ystech@ystech.com.tw  
URL: www.ystech.com.tw

SPEC No.	RS020309
Issue Date	04 / 09 / 02
Edition	1 版
Revised Date	05 / 09 / 02

APPD.	EDAM	DRAW
劉智光	黃明煌	許燕萍

**產品規格 / 承認書**  
**PRODUCT SPECIFICATION / APPROVAL SHEET**

**A. 一般規格 (General Specification)**

項 目 (Item)		規 格 / 條 件 (Specification / Condition)	
01	型號 (Part No.)	PD1270155B-2F	
02	外型尺寸 (Outline Dimension)	74mm×74mm×15mm	
03	額定電壓 (Rated Voltage)	DC 12 V	
04	電壓範圍 (Voltage Range)	DC 7 V ~ DC 13.2 V	
05	起動電壓 (Starting Voltage)	DC 7 V	
06	額定電流 (Rated Current)	0.295 A	+10% Max
07	消耗功率 (Power Consumption)	3.84 W	
08	轉速 (Speed)	5600 R.P.M. ± 10%	
09	最大風量 (Max. Airflow)	35.5 CFM (ft <sup>3</sup> /min)	
		1.008 m <sup>3</sup> /min	
10	最大靜壓 (Max. Static Pressure)	0.206 inH <sub>2</sub> O	
		5.2 mmH <sub>2</sub> O	
11	音量位準 (Noise Level)	38.0 dB(A)	
12	壽命 (Life Expentancy)	80,000/ hrs at 30°C	
13	極數 (No. of Pole)	12 極 (Poles)	
14	迴轉方向 (Rotating Direction)	逆時針 (Counter-Clockwise)	

**B. 電氣規格 (Electrical Specification)**

項 目 (Item)		規 格 / 條 件 (Specification / Condition)	
01	扇葉鎖住保護 (Locked Rotor Protection)	a. 額定電壓鎖住 1 秒, 自動斷電 (Auto power off after locked at rated voltage for 1 sec.) b. 自動斷電後, 2 至 6 秒自動嘗試啟動。 (After auto power off, circuit attempt to restart in 2 to 6 sec.)	
02	極性保護 (Polarity Protection)	Vcc 與 GND 反接時, 10 秒內迴路不燒燬 (Circuit is protected when Vcc & GND are exchanged, the circuit won't be burned mithin 10 seconds)	
03	絕緣阻抗 (Insulation Resistance)	10 MΩ / 裸線與外框間測量, 500 VDC/min (10 MΩ / b/w unshielded wire and frame at 500 VDC/min)	
04	絕緣耐壓 (Dielectric Strength)	5 mA Max. / 導線與外框間測量, 500 VAC/min (5 mA Max. / Measured b/w lead wire (+) and frame at 500 VAC/min)	

C. 主要材料/零件規格 (Main Materials / Parts Specification)

材料/零件 (Materials / Parts)		規 格 (Specification)
01	塑膠材料 / 扇葉、外框、絕緣套 (Plastic Material/Blade, Housing, Bobbin)	a. UL 94V-0 b. P.B.T. + 30% GF Black
02	軸承 (Bearing)	雙滾珠軸承(Two Ball Bearing)
03	導線 (Lead Wire)	UL 1007, 26 AWG, (+) Red, (-) Black UL 1007, 26 AWG, (F) Yellow,
04	端子 (Connector)	

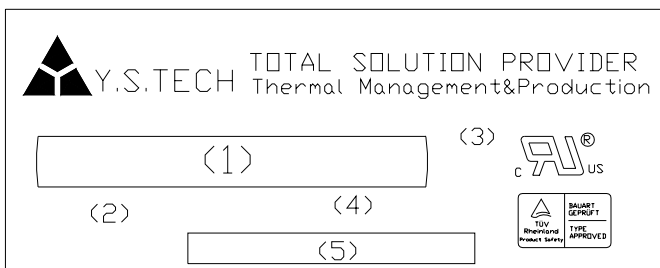
D. 安規規格 (Safety Approvals)

安 規 (Safety Approvals)	安規編號 (File No.)	安 規 (Safety Approvals)	安規編號 (File No.)
UL	E187205	VDE	
CUL	E187205	T Mark	
TUV	R9839226		

E. 環境測試 (Environmental Specification)

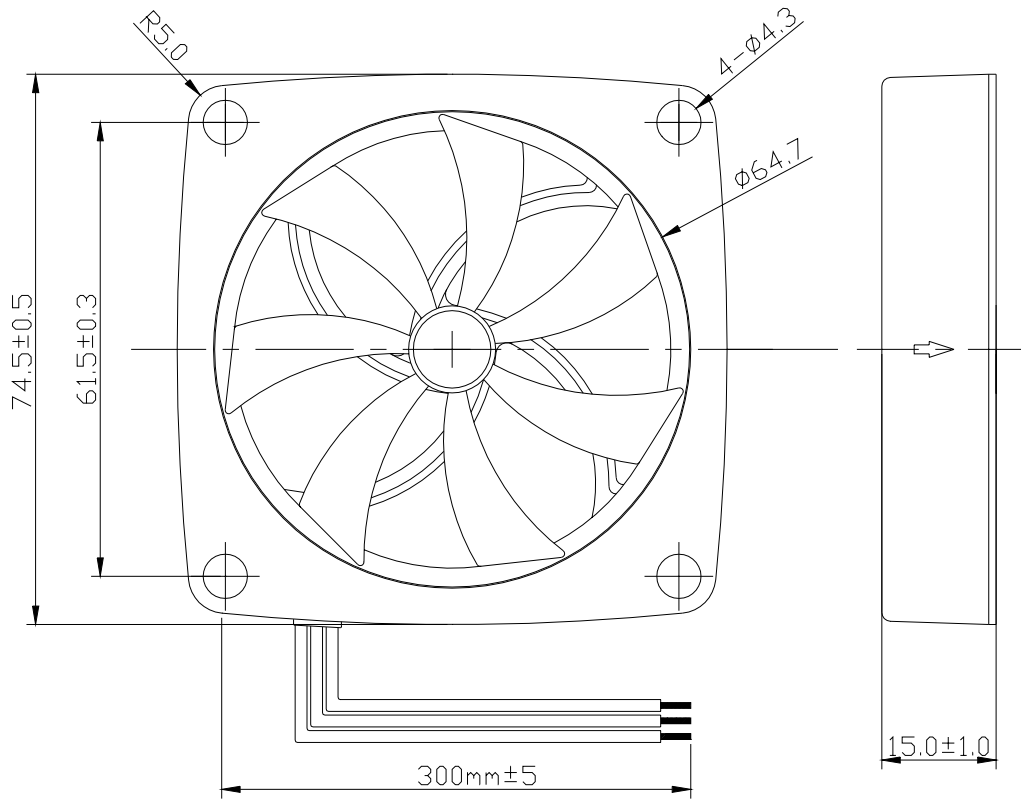
項 目 (Item)		規格/條件 (Specification / Condition)
01	運轉溫/溼度範圍 (Operating Temp. Range)	溫度 / Temperature : -10°C - 70°C 溼度 / Humidity : 35% -85% RH
02	保存溫/溼度範圍 (Storage Temperature)	溫度 / Temperature : -10°C - 70°C 溼度 / Humidity : 35% -85% RH
03	高低溫試驗 (Test of high & low Temperature)	溫度 / Temperature : -10°C - 70°C 循環 2 次,各 4 小時 (Test Circulation at -10°C & 70°C two times pre 4 hours)
04	絕緣階段 (Insulation Shock)	UL A 種 (UL: Class A)
05	包裝耐振動試驗 (Packing Vibration Test)	包裝後, XYZ 三方向施 1.1G 加速度, 振動 30 分鐘後, 無異狀 (Packing Condition: X, Y, Z 3directions, 1.1 G load vibration test for 30 min.)
06	包裝耐衝擊試驗 (Packing Shock Proof Test)	捆包狀態下, 高 60 cm, 1 稜角 3 邊 6 面自然落下, 無異狀 (1 corner, 3 edges, 6 faces natural drop from 60 cm high packing)

F. 商標 (Label Marking)

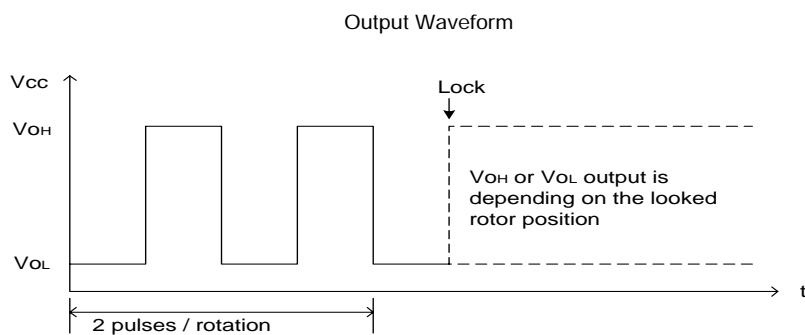
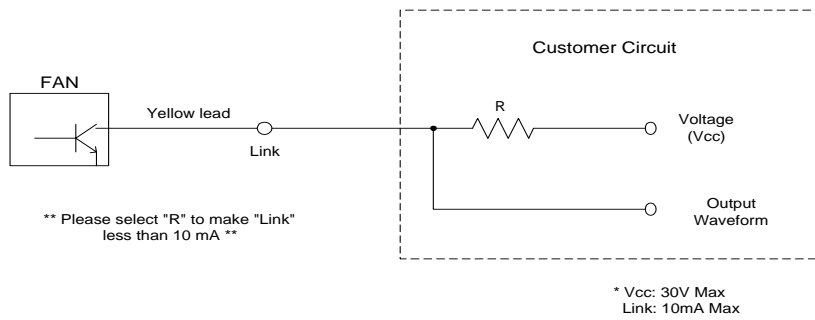


(1)	型號 (Model No.)
(2)	額定電壓 (Rated Voltage)
(3)	消耗功率 (Power Consumption)
(4)	安規 (Safety Approvals)
(5)	產地 (Location)

### G. 外觀尺寸圖 (Outline Dimension)



### H: 訊號控制系統 (Sensor Circuit System) Speed Sensor / Tachometer ( FG/F )





# YEN SUN TECHNOLOGY CORP.

## Computer Aided Noise and Vibration Testing System for Fans

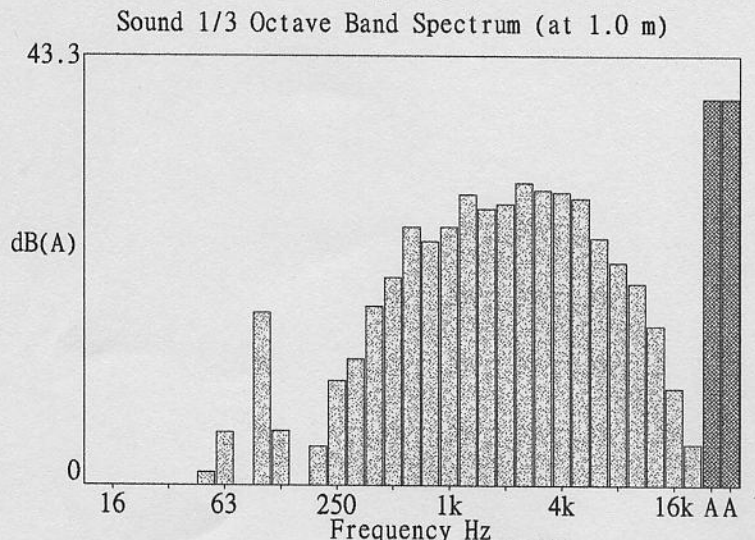
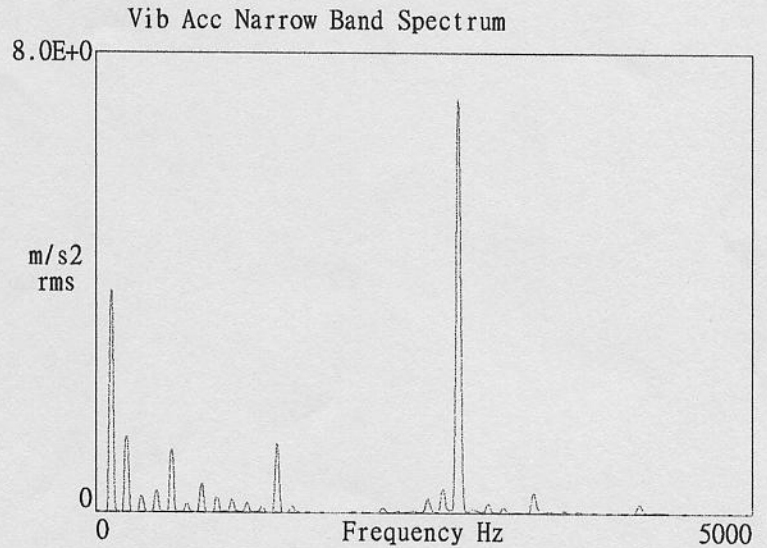
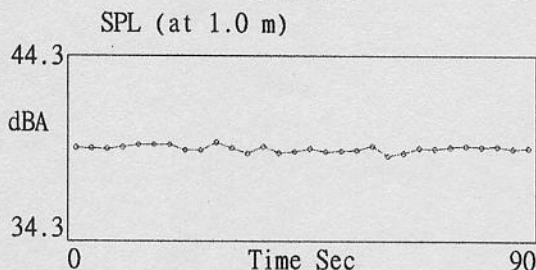
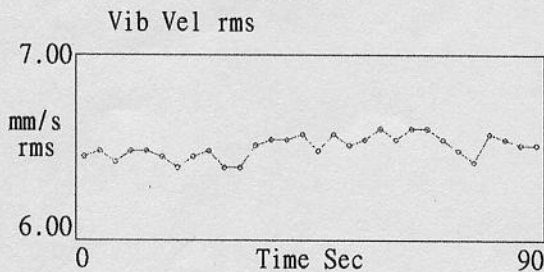
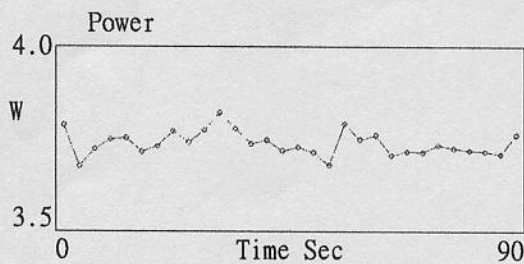
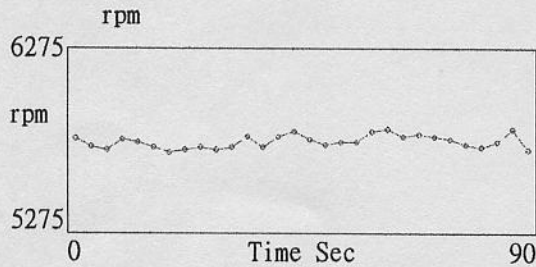
Report No.: 20020425\_008

### Test Conditions:

Fan Type: PD1270155B-2F  
 Test Time: 2002/04/25 14:33:26  
 Mea. Distance: 1.0 m  
 Mea. Angle: 180 deg  
 Freq. Weighting: A  
 Time Weighting: S  
 Rated Voltage: 12.0 V DC  
 Rated rpm: 5600 rpm  
 Background Noise: 10.0 dB(A)

### Test Results:

Mea. rpm: 5770 rpm  
 Ele. Power: 3.70 W  
 Mean Vol.: 11.99 V  
 Mean Amp.: 0.308 A  
 Vib. Level (According to ISO 2372):  
 Vib Vel.: 6.50 mm/sec rms  
 Noise Level (According to CNS 8753):  
 Mea. Point: 39.3 dB(A)  
 1m Point: 39.3 dB(A)



Note:

Operator: 許燕萍



# Yen Sun Fan Performance Test Report

**Customer : YS.TECH**

Fan Model : PD1270155B-2F

Key Point : PD1270155B-2F

Blade No. : 7

Motor Poles : 12

Rating Voltage (V) : 12

Rating Current (A) : .295

Rating Speed (rpm) : 5600

Test Voltage (V) : 12

Max. Voltage (V) : 16.97

Max. Flowrate (CFM) : 35.61

Max. Flowrate (m<sup>3</sup>/min) : 1.008

Max. Pressure (in-H<sub>2</sub>O) : .208

Max. Pressure (mm-H<sub>2</sub>O) : 5.29

Test Date : 2002-04-30

Test Time : 14:47:28

Order No. : P7015-30

Test No. : YS

Method : Constant Voltage

Tunnel Setup : Inlet Chamber Type

Temperature (°C) : 28

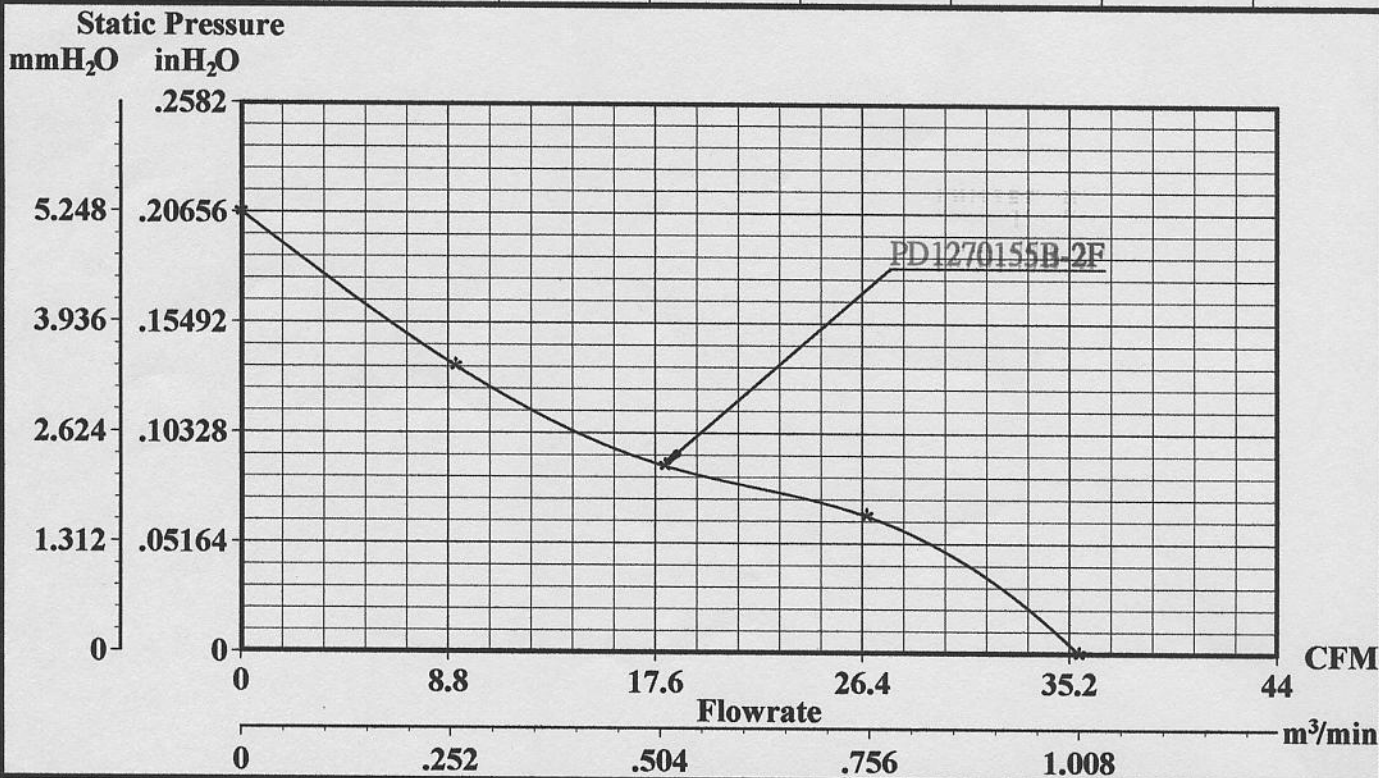
Humidity (%) : 48

Barometric Pressure (mmHg) : 757.5

Tester :

Remarks :

Curves	Pts	Flowrate		Pressure		Voltage	Current	Power	Speed
		CFM	m <sup>3</sup> /min	inH <sub>2</sub> O	mmH <sub>2</sub> O				
		<b>Model: PD1270155B-2F</b>				<b>File Name: Test\200204\P7015-30-F.txt</b>			
	1	35.614	1.0086	0	0	12	0.2832	3.391	5538
	2	26.576	0.7526	0.0646	1.640	12	0.2913	3.489	5357
	3	18.003	0.5098	0.0877	2.229	12	0.2849	3.411	5499
1	4	9.114	0.2581	0.1345	3.417	12	0.2991	3.582	5191
	5	0	0	0.2067	5.251	12	0.3172	3.800	4814



Approver :

Examiner :

Tester :